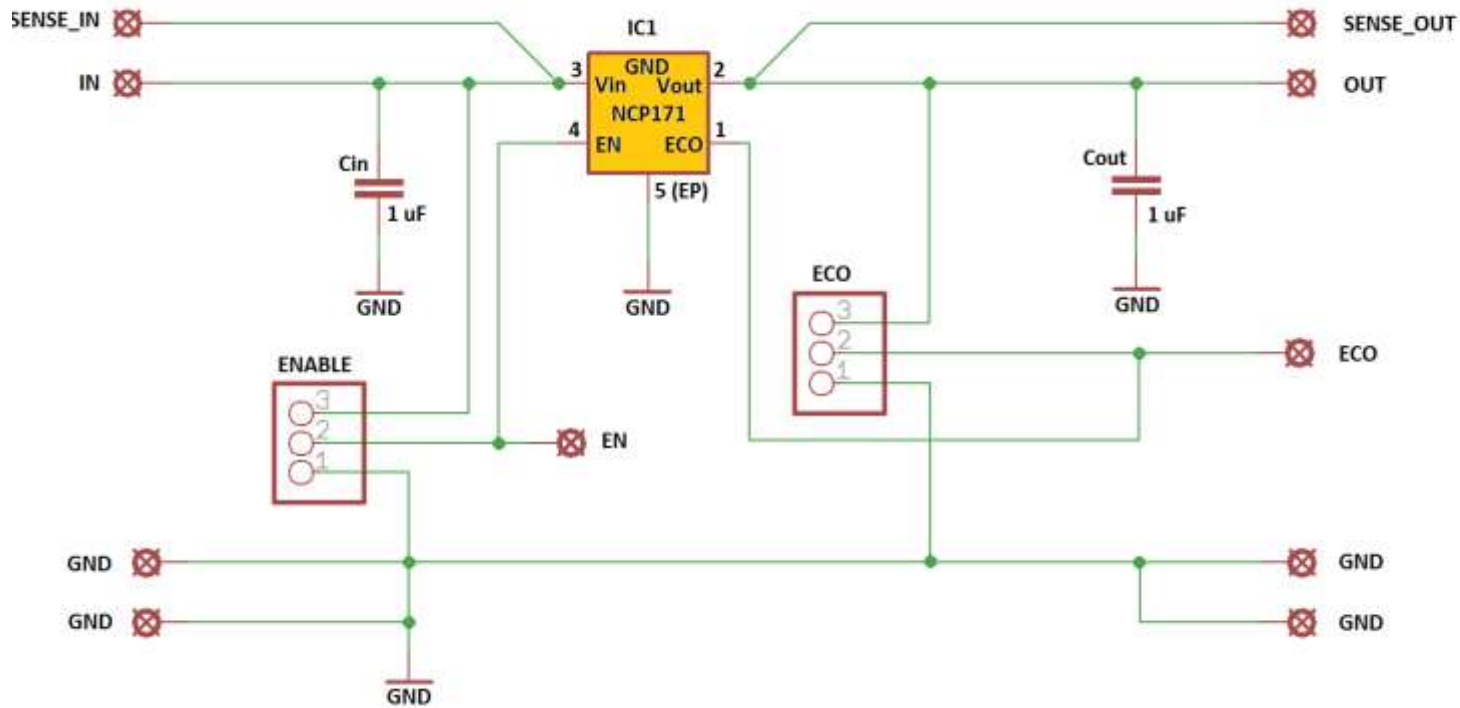




ON Semiconductor

## Schematic for the NCP171AMX120100TCG LDO Demoboard



### Programming I/F

