

6

5

4

3

2

1

REVISION RECORD			
Rev.	Action	APPROVED:	DATE:
1.0	Removed Bead on VCC	MP	11/1/21
1.0	Removed 0 Ohm R from U1-3 to GND	MP	11/1/21

D

D

C

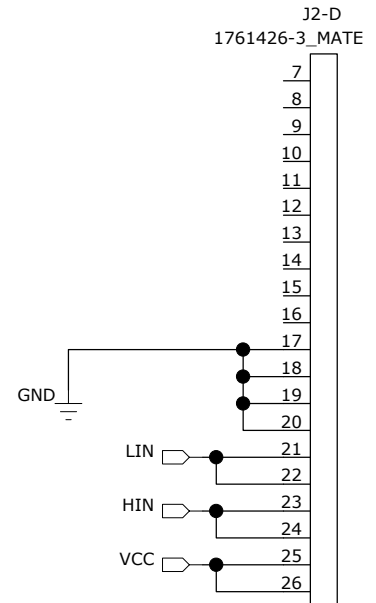
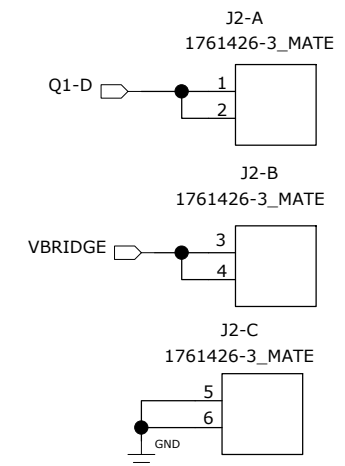
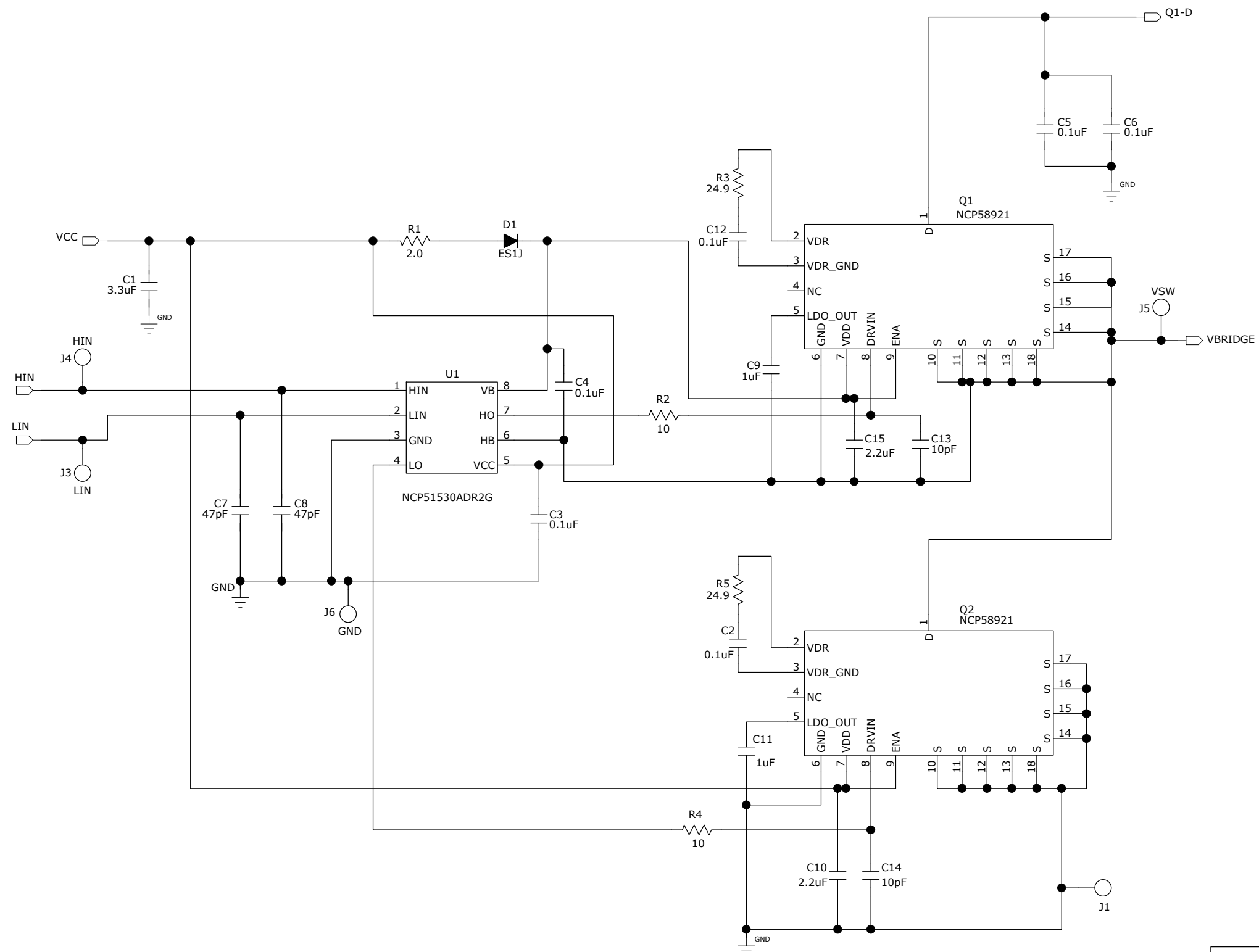
C

B

B

A

A



COMPANY: ON SEMICONDUCTOR

TITLE: NCP51530/NCP58921 DAUGHTER CARD EVB

DRAWN: MPantarella	DATED: 6/10/21
CHECKED:	DATED:
QUALITY CONTROL:	DATED:
RELEASED:	DATED:

SIZE: C	REV: 1.1
---------	----------