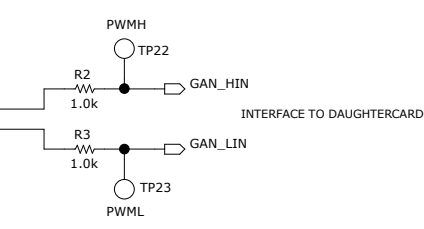
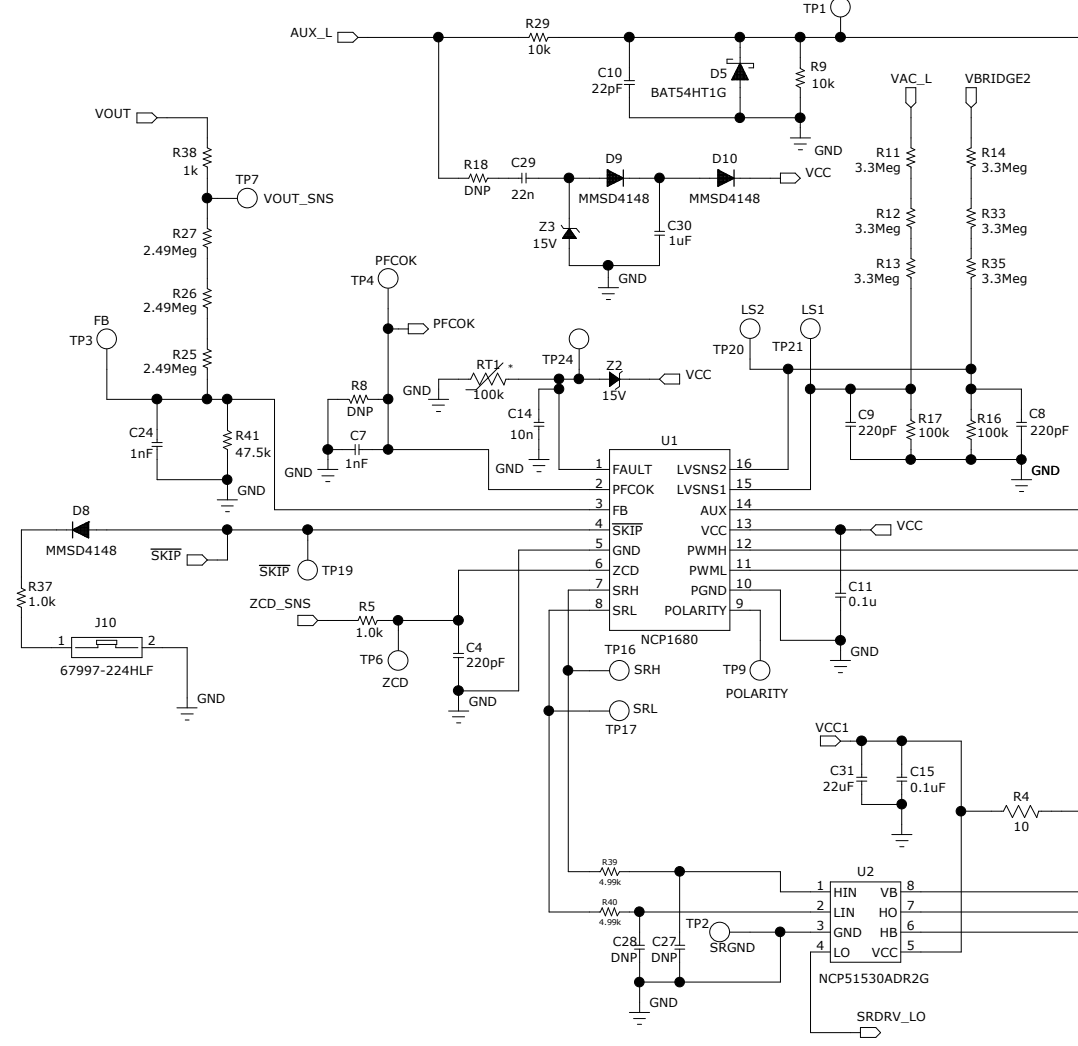
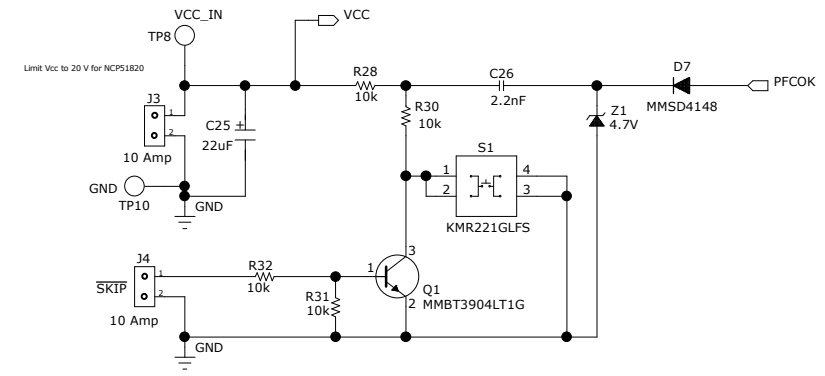
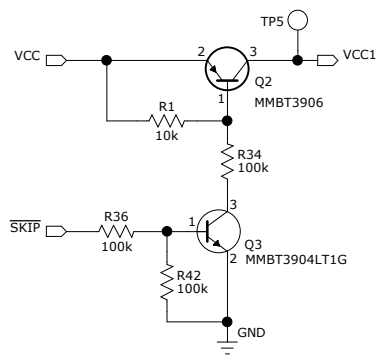


REVISION RECORD			
LTR	ECO NO:	APPROVED:	DATE:



*RT1 can also be substituted with NXFT15W104FA2B100

COMPANY: ON SEMICONDUCTOR			
TITLE: NCP1681/NCP51820 MULTI-MODE 500W TOTEM POLE PFC			
DRAWN: Armando Mesa	DATED: 1/6/2020	CODE:	REV: 1.0
Modified: MPantarella	DATED: 1/17/20	SIZE: C	DRAWING NO: NCP1681_NCP51820 500W DEMO BOARD Rev0.1MP
SCALE:			SHEET: 1 OF 2

Q2 & Q3 are switching devices, alternating between primary switch and synchronous switch depending on line voltage polarity
 M3 & M4 are synchronous devices for the line return current
 The return path for diode bridge is connected to PWRGND, ZCD_SNS cannot be bypassed

REVISION RECORD			
LTR	ECO NO:	APPROVED:	DATE:

D

C

B

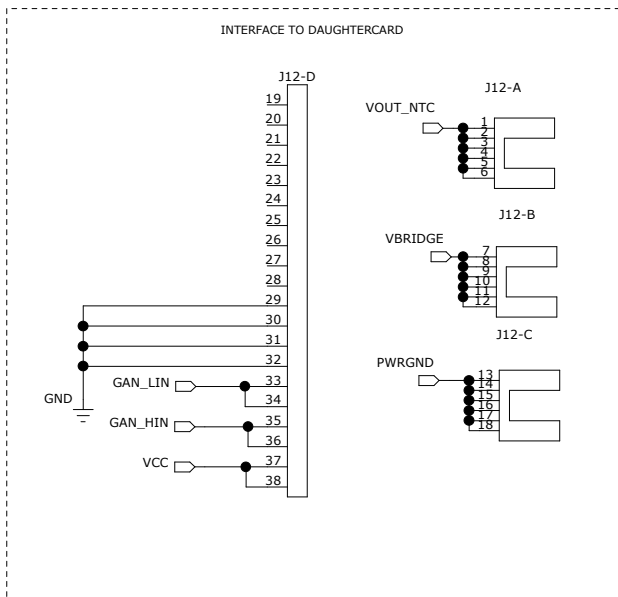
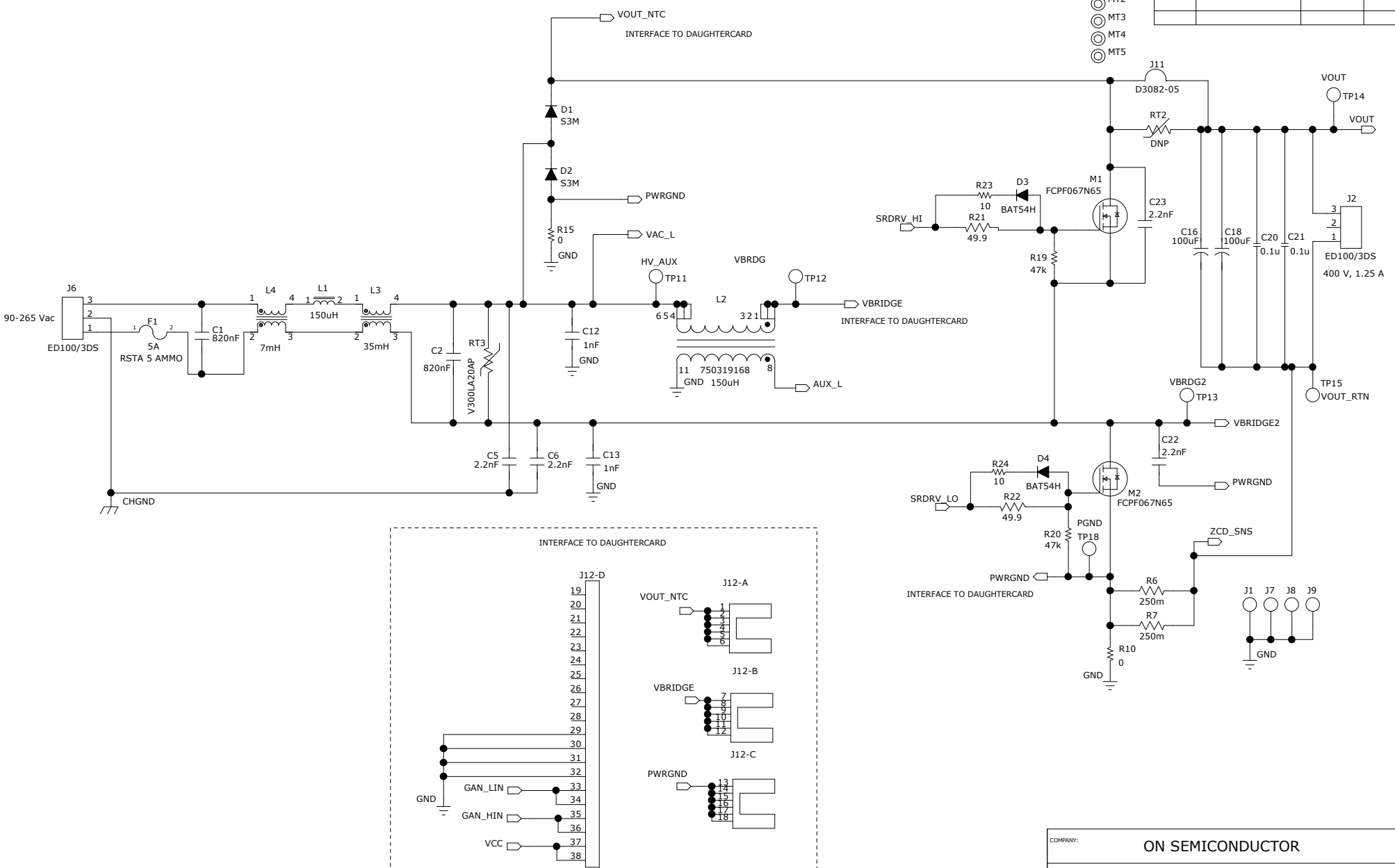
A

D

C

B

A



- MT1
- MT2
- MT3
- MT4
- MT5

COMPANY:				ON SEMICONDUCTOR			
TITLE:				NCP1681/NCP51820 MULTI-MODE 500W TOTEM POLE PFC			
DRAWN:	ARMANDO MESA	DATED:	1/6/2020	CODE:	SIZE:	DRAWING NO:	REV:
CHECKED:	MPANTANELLA	DATED:	1/17/20		C	NCP1681_NCP51820 500W DEMO BOARD Rev0.1MP	1.0
SCALE:						SHEET: 20F 2	