



Schematic for the NCP1611GEVB Evaluation Board

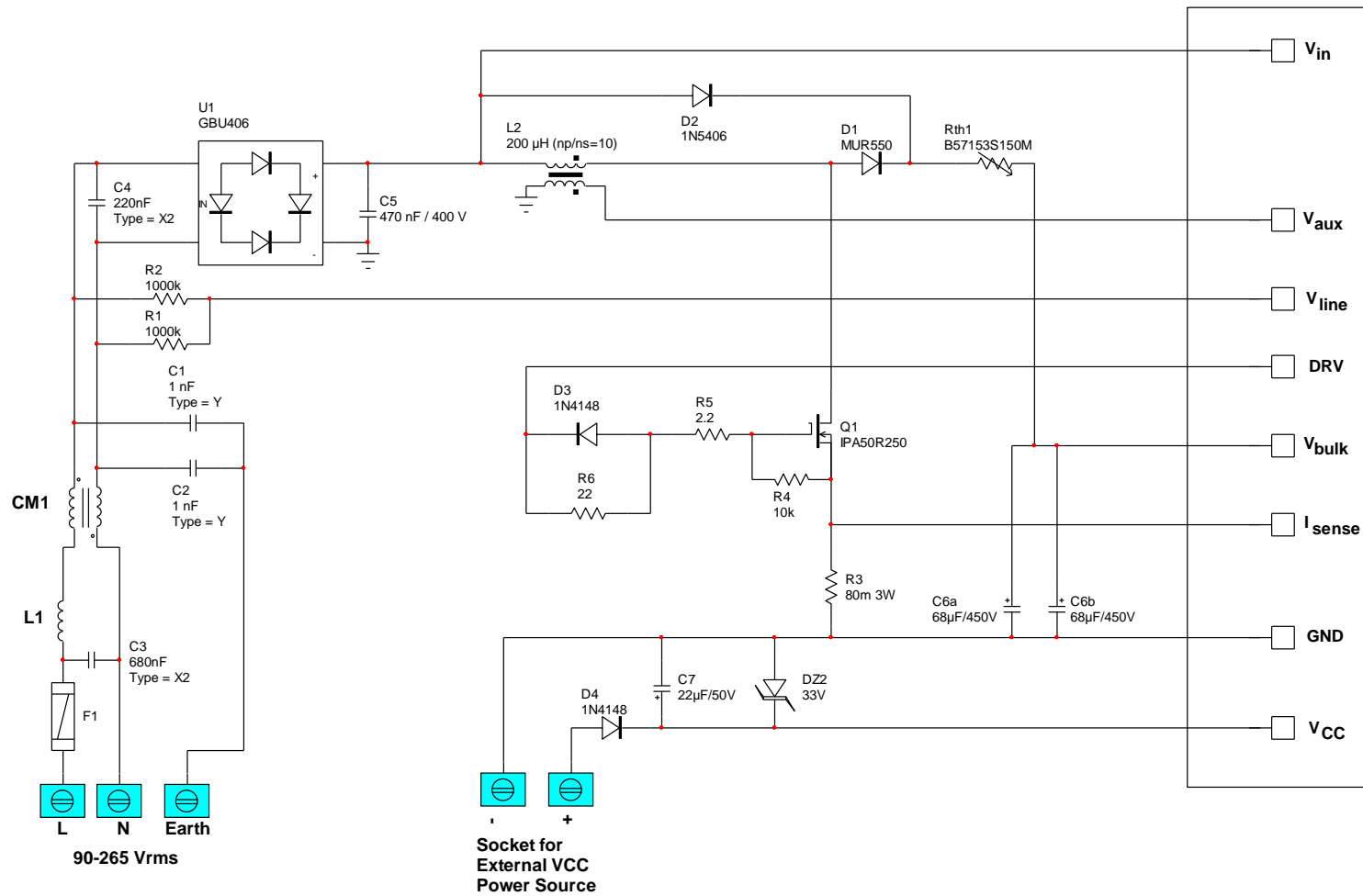


Figure 1 - Power Section

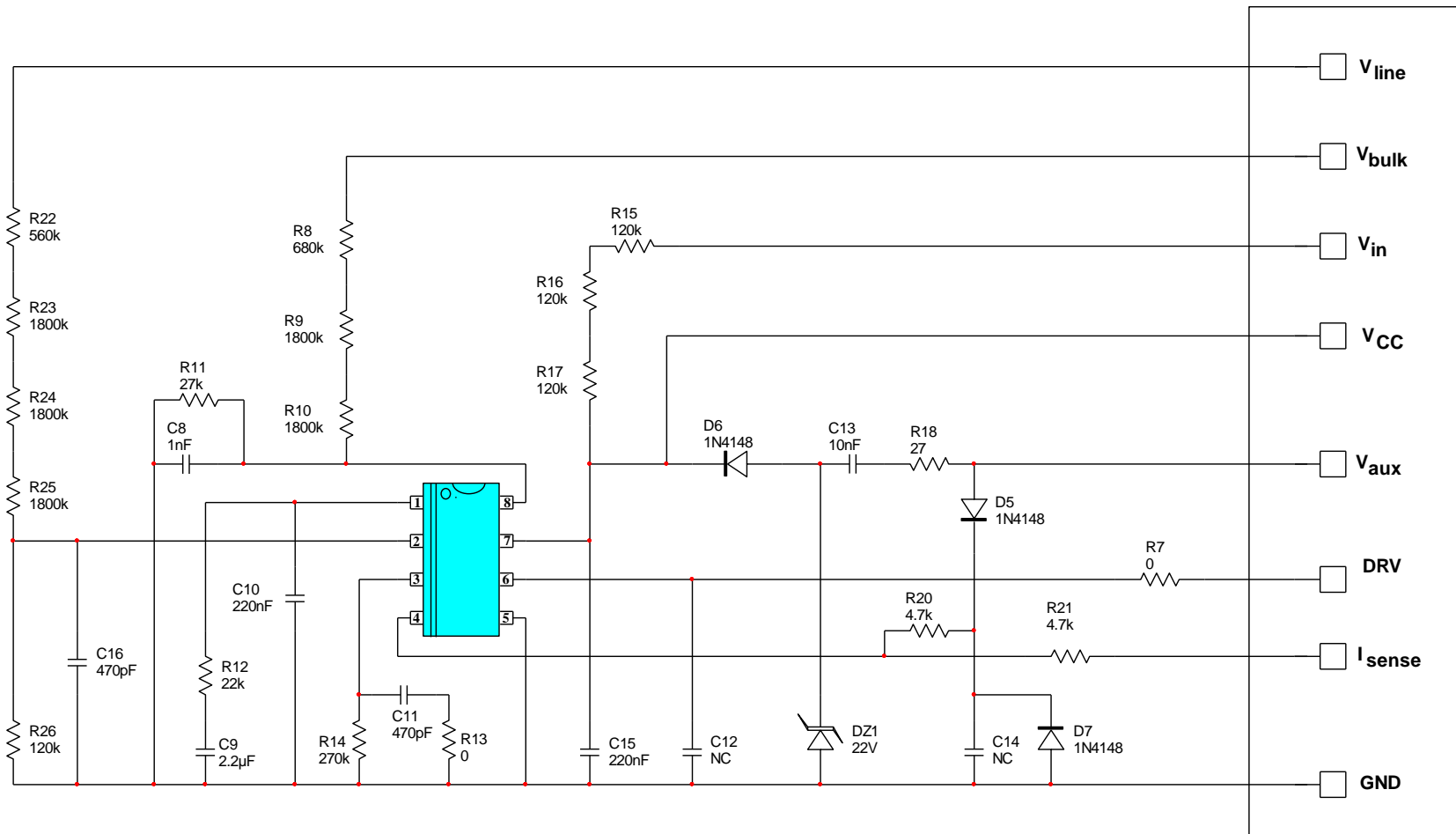


Figure 2 - Control Section