

Schematic for the NCL35076LED1GEVB Evaluation Board

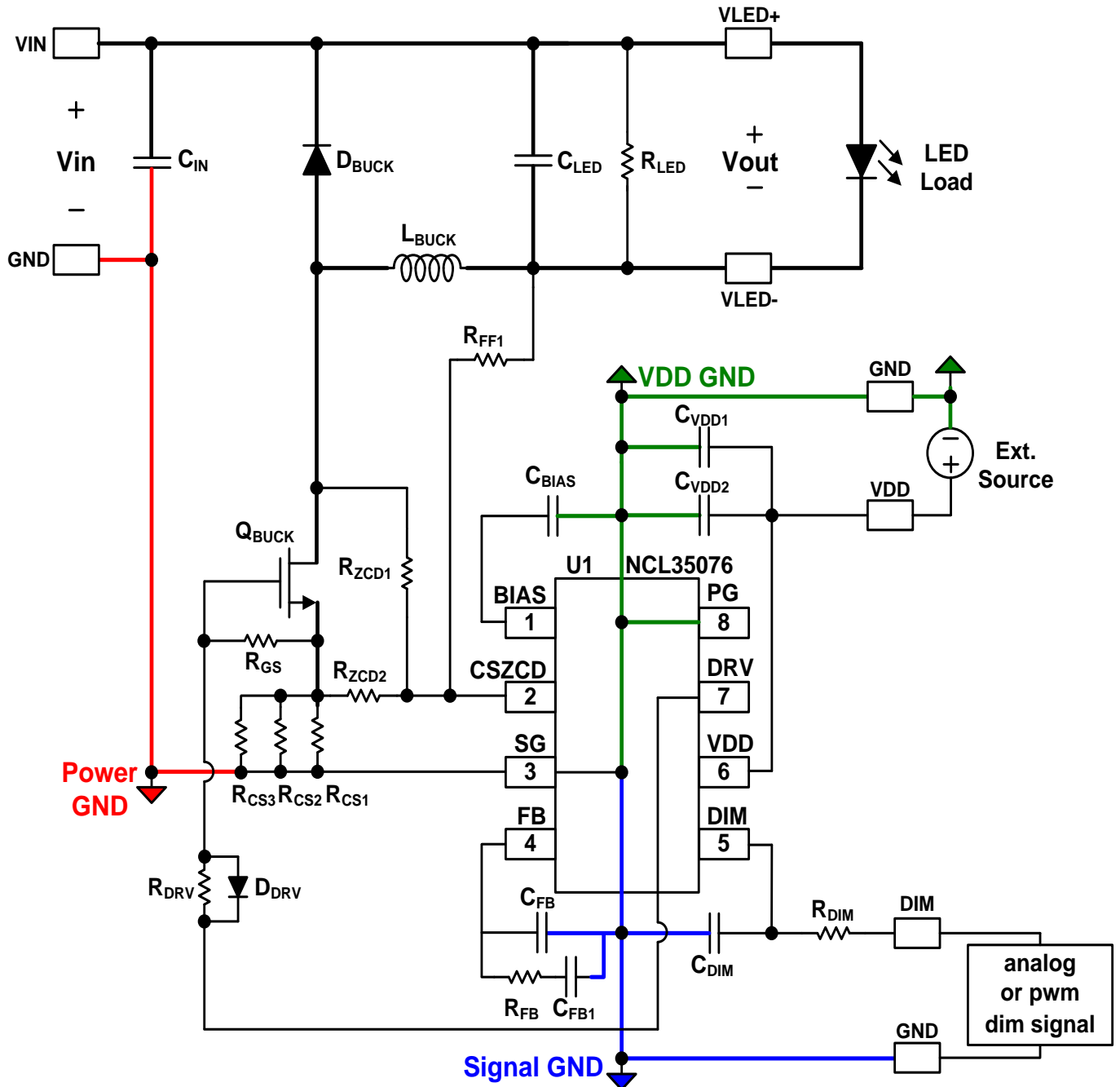


Figure 1. Schematic for NCL35076 75-W Design Reference