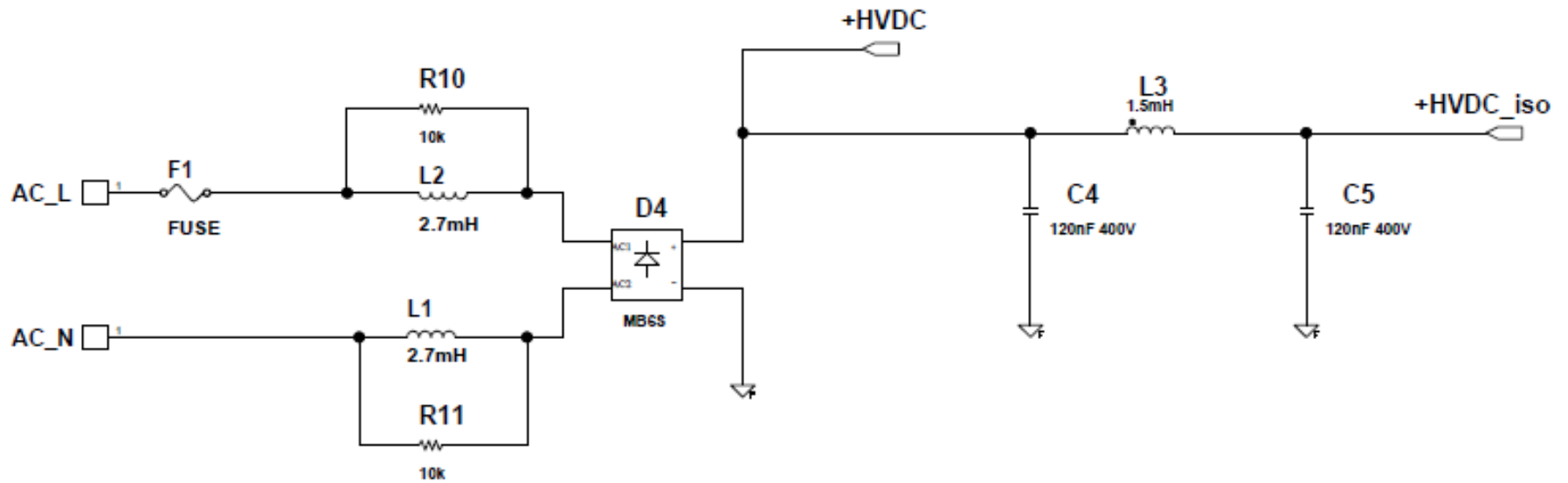




## Schematic for the NCL30085FLYGEVB Evaluation Board





Cbulk is not stuffed on the NCL30088 version.

