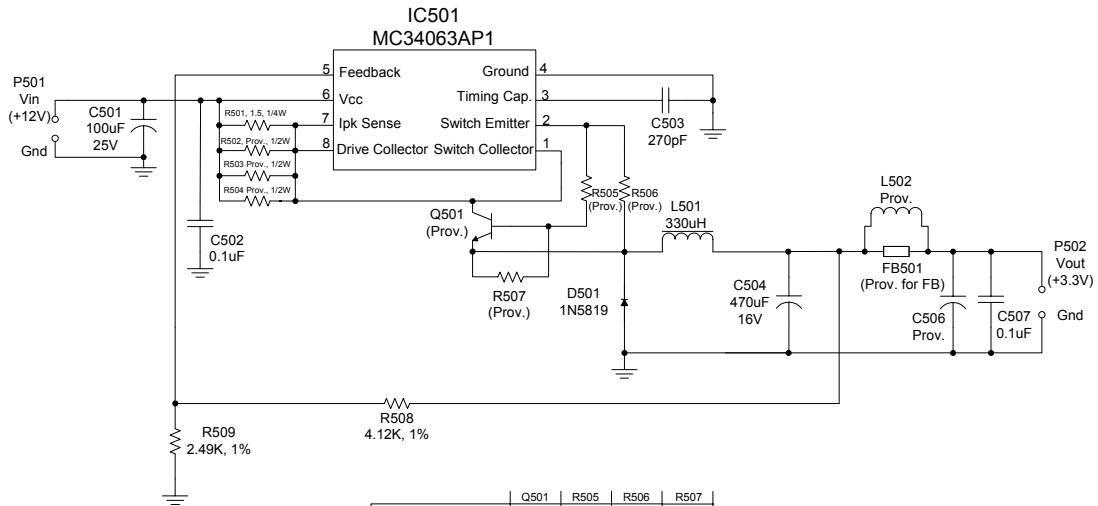


# Schematic for the MC34063 Buck Leaded Demonstration Board



9/9/2003

## MC34063 Evaluation Board Design Example Buck Regulator (12V to 3.3V @ 100mA)(Leaded Version)



	Q501	R505	R506	R507
Low Current Applications	Out	Out	Short	Out
High Current Applications	MPS651 TO-92	Short	Out	1K