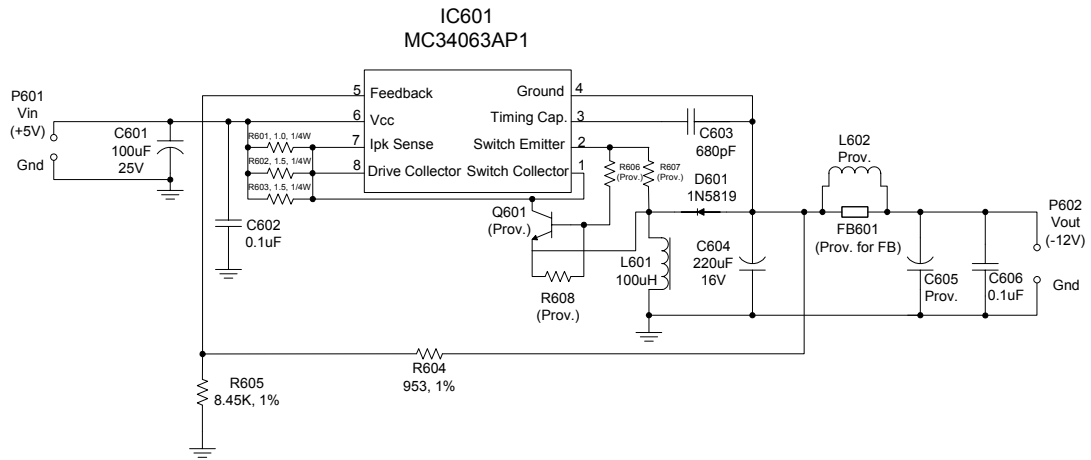


Schematic for the MC34063 Inverting Demonstration Board



Voltage Inverting Regulator 5V to -12V@50mA



	Q601	R606	R607	R608
Low Current Applications	Out	Out	Short	Out
High Current Applications	MPS651 TO-92	Short	Out	1K