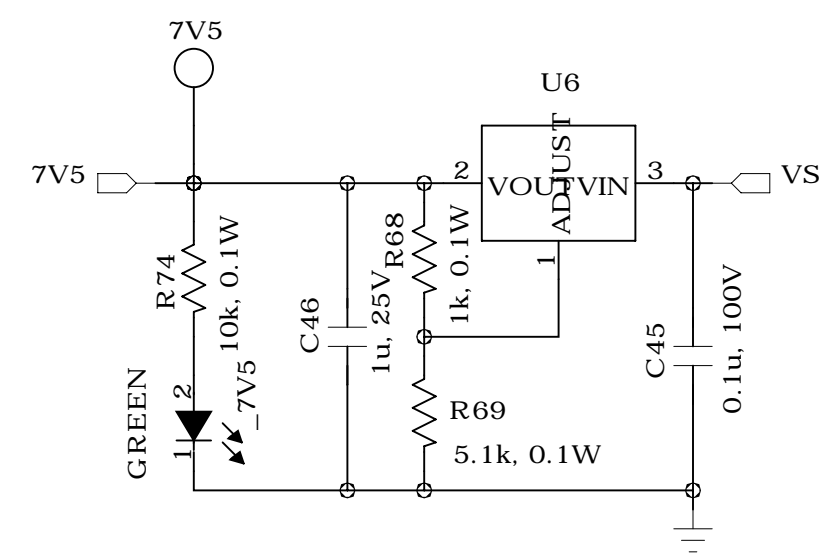


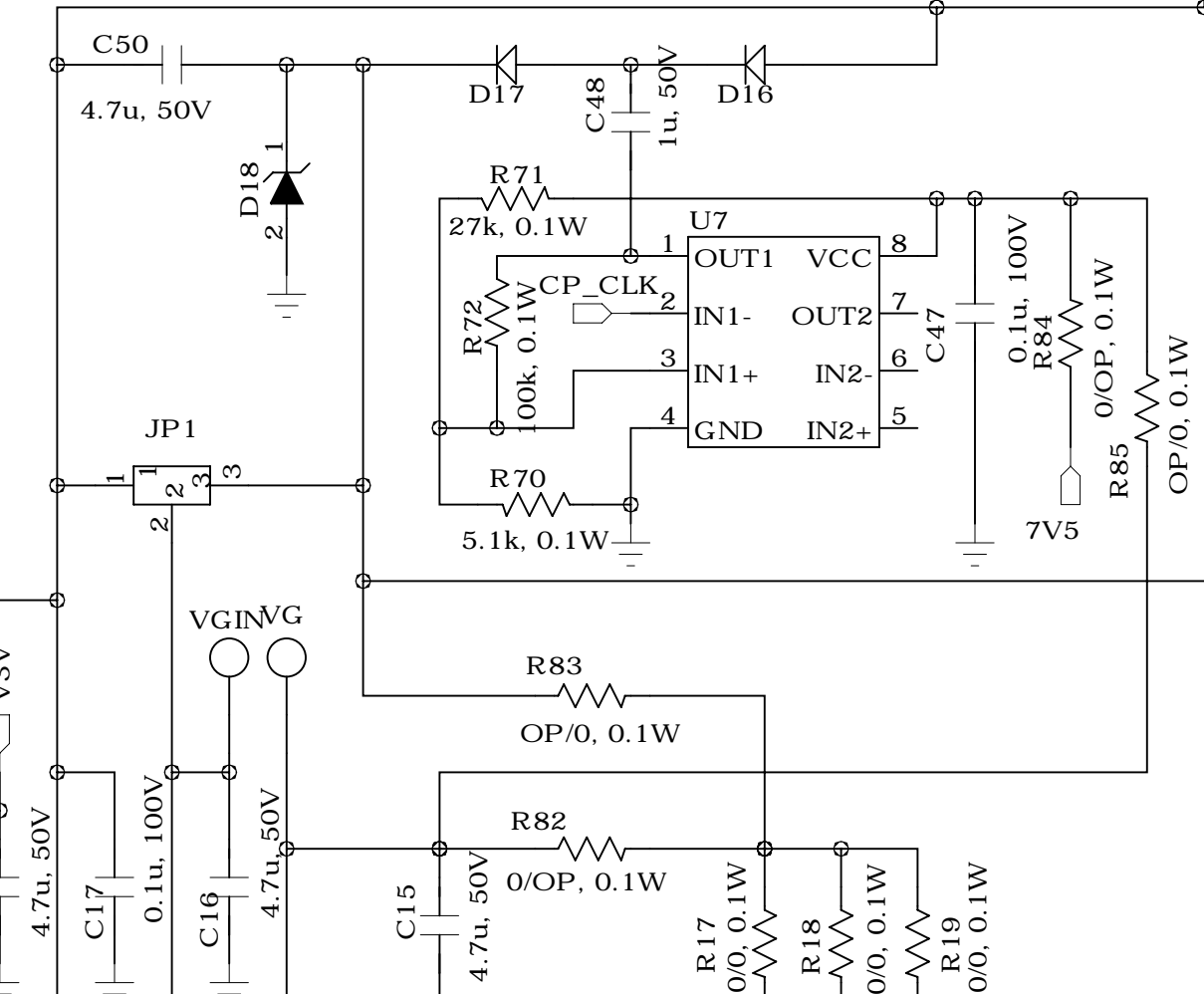
LV8968BBGEVB V1.0 Schematic

20190218

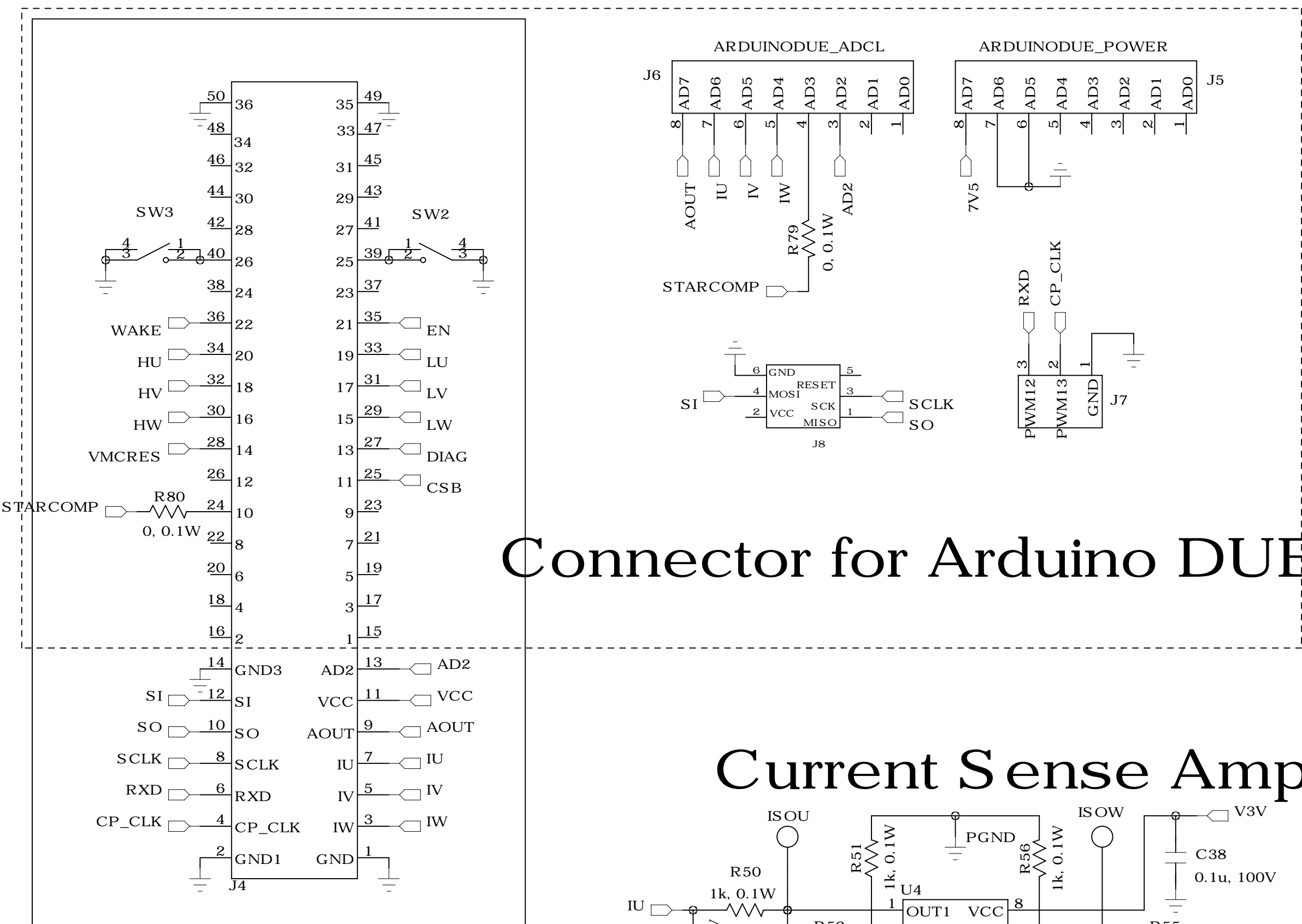
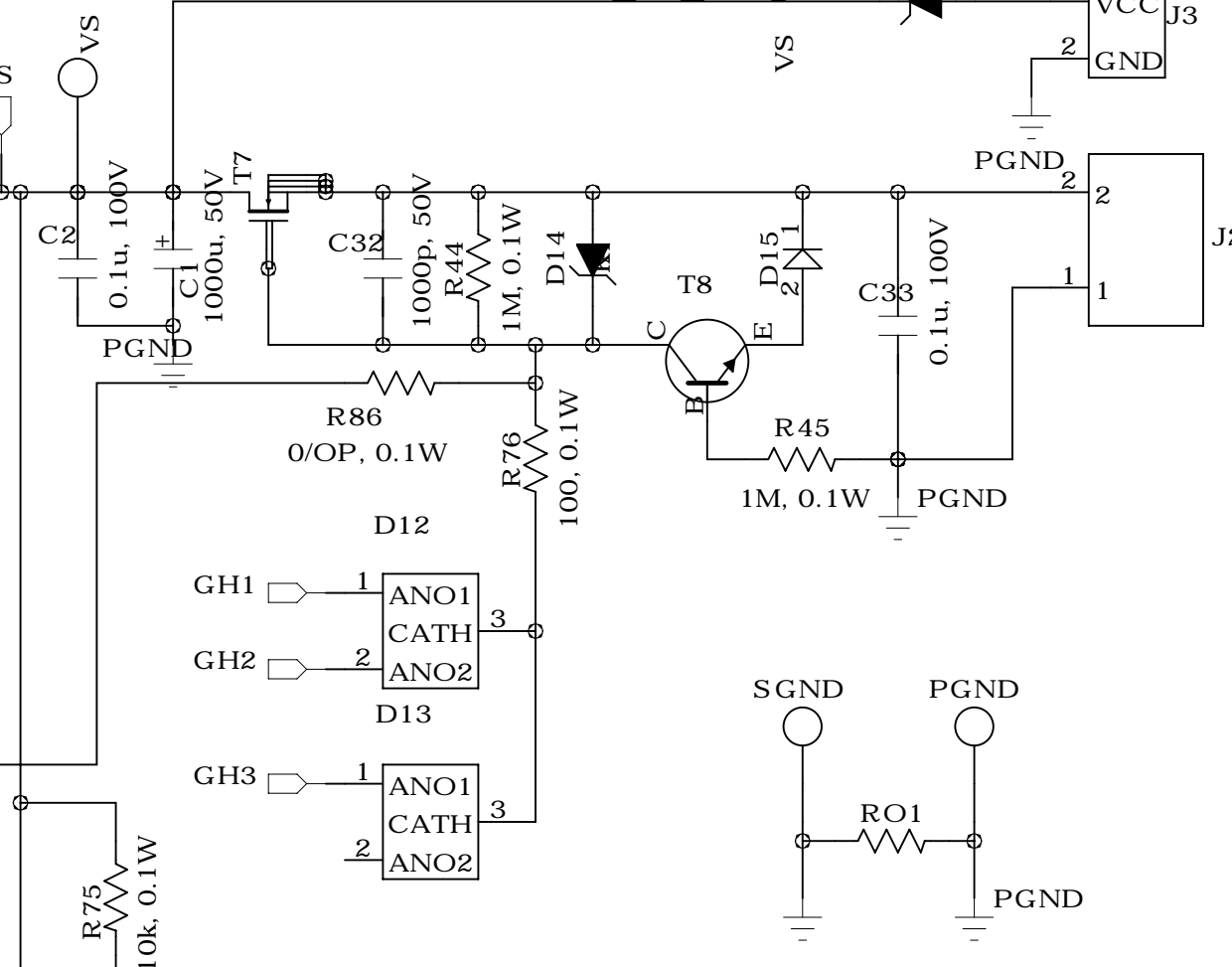
7.5V Regulator



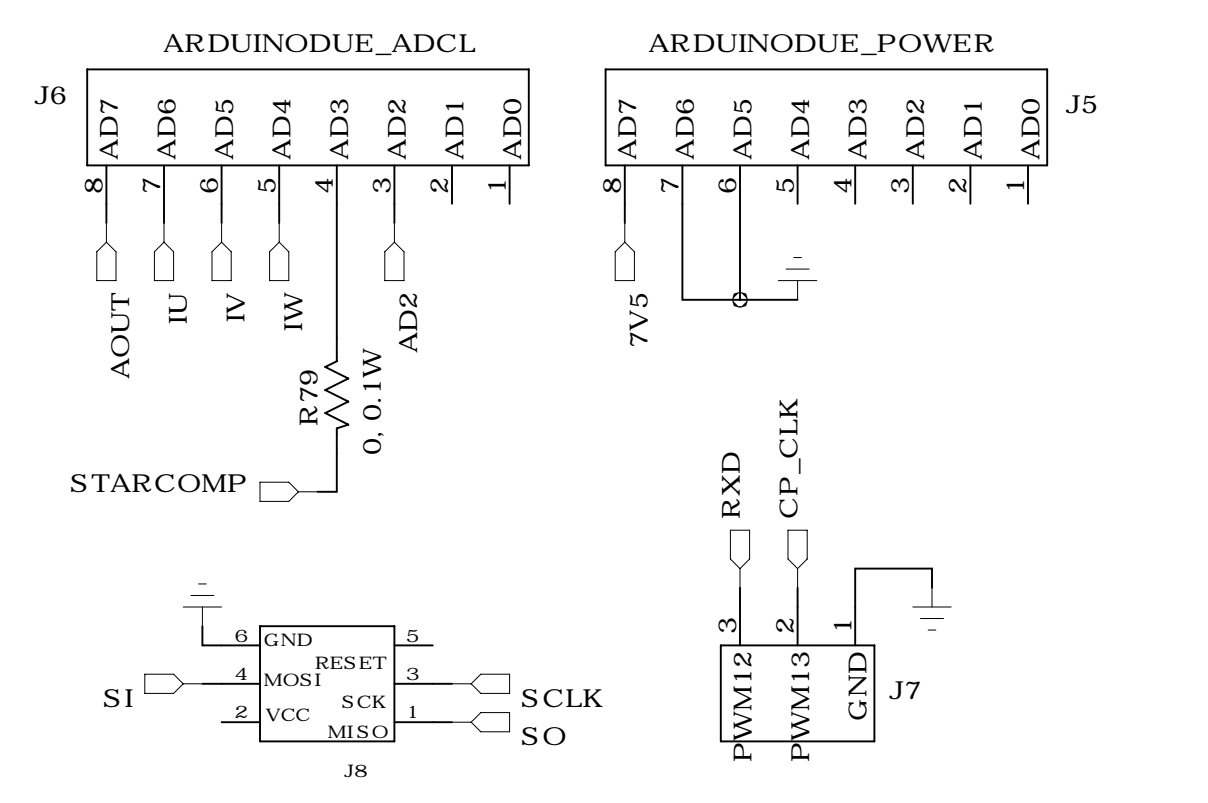
Charge Pump



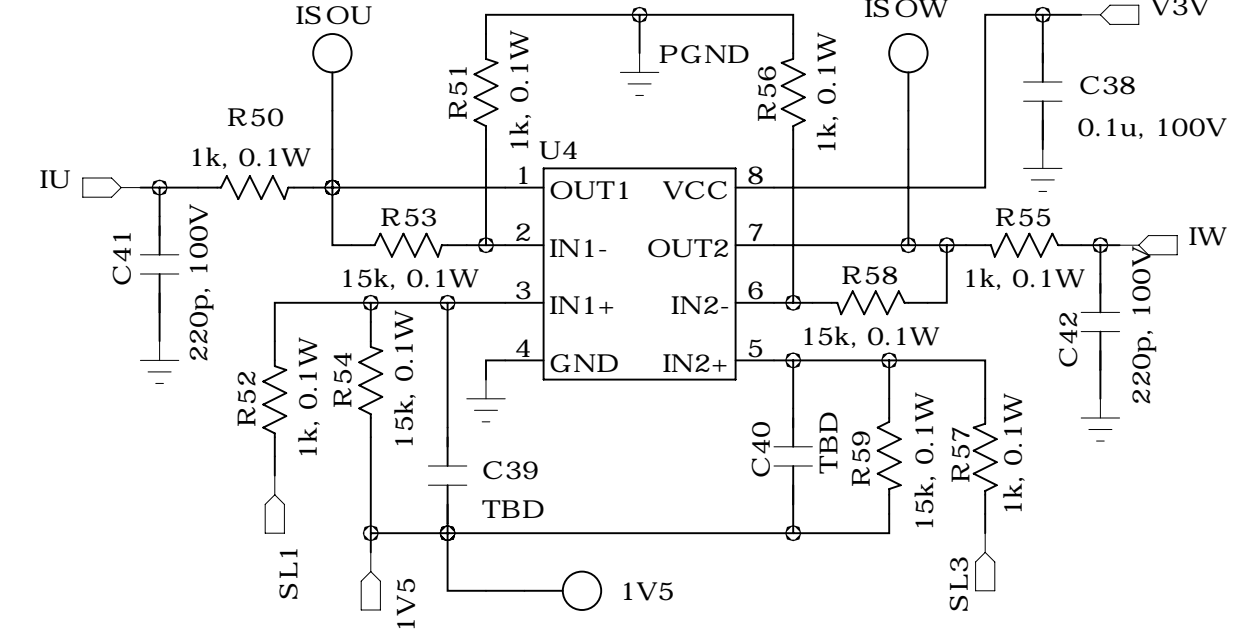
Power Supply



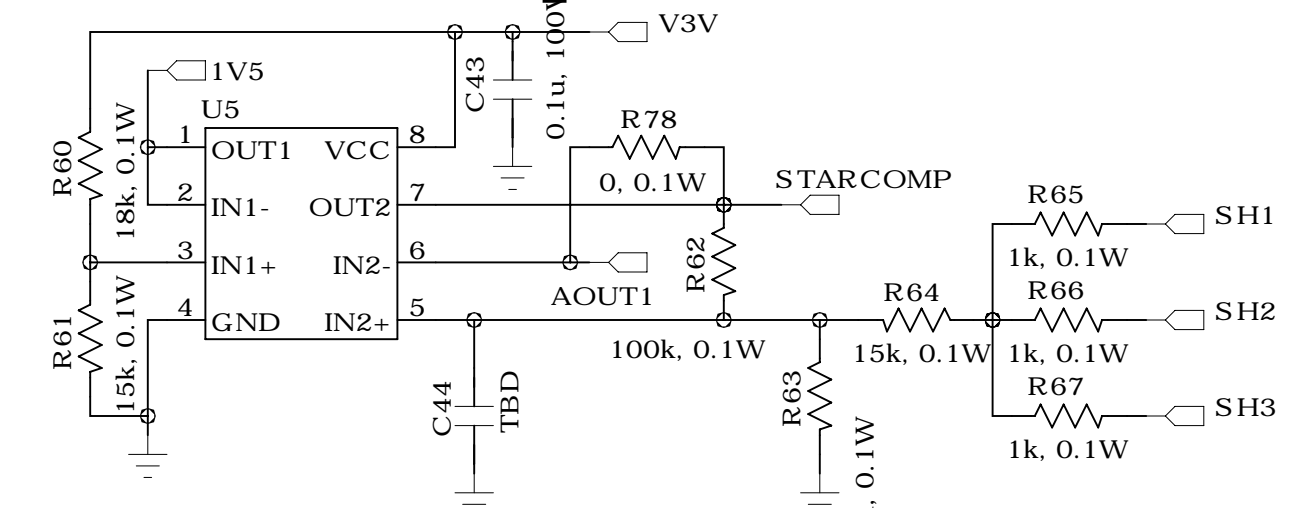
Connector for Arduino DUE



Current Sense Amp

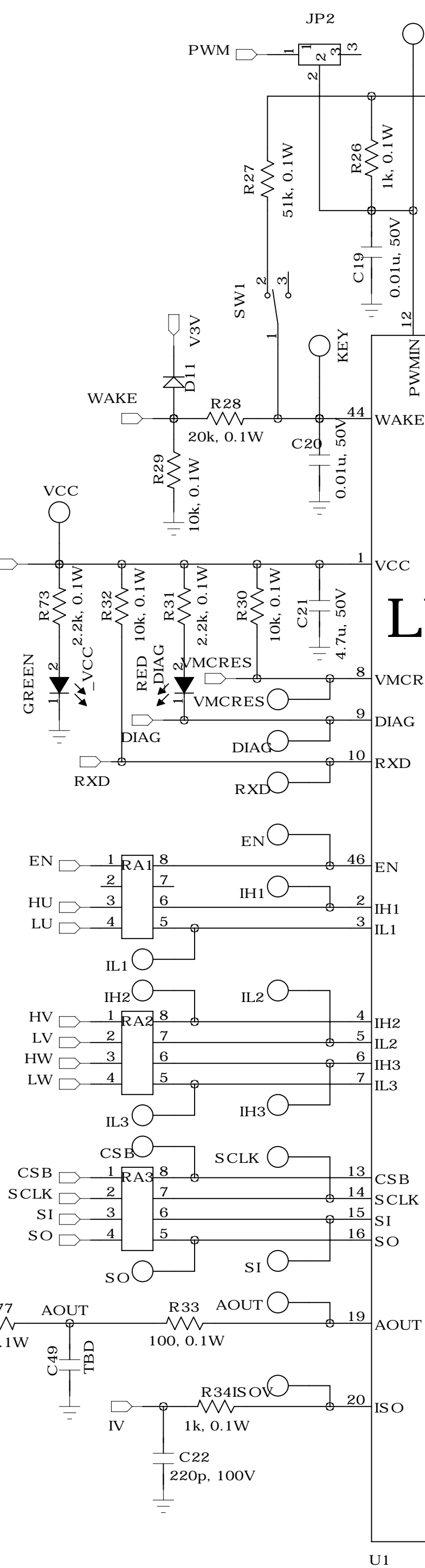
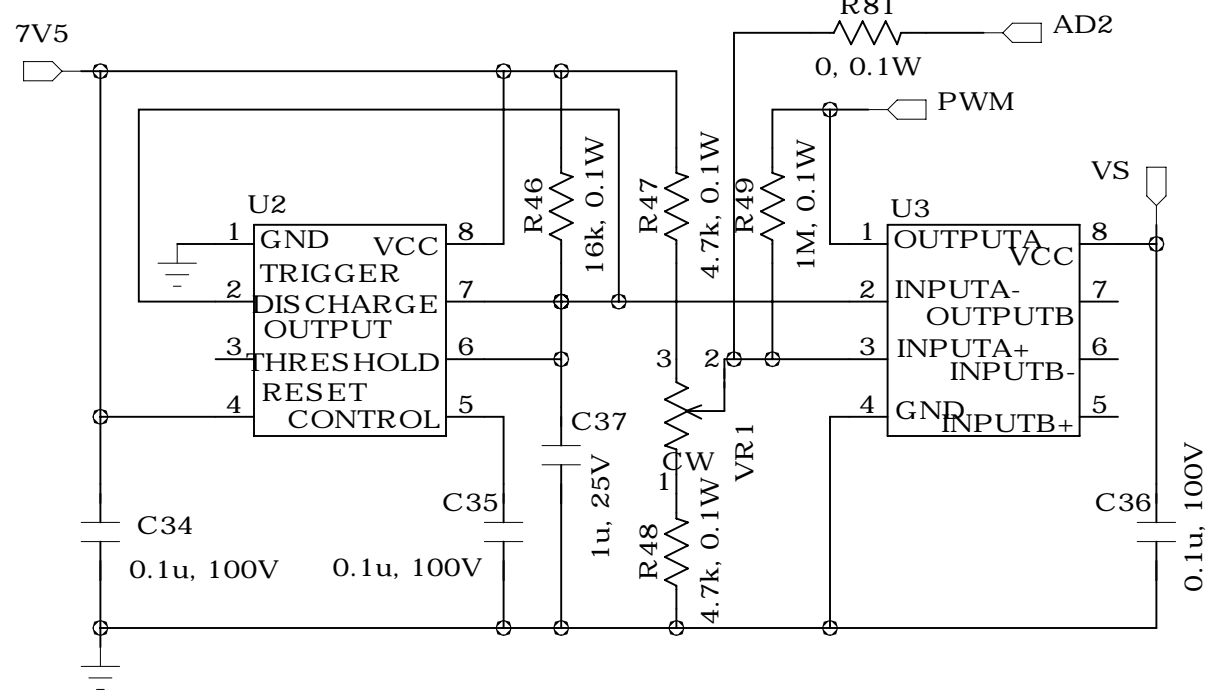


Star Comparator



MCU Connector

PWM OSC



LV8968BB

Motor Winding

