
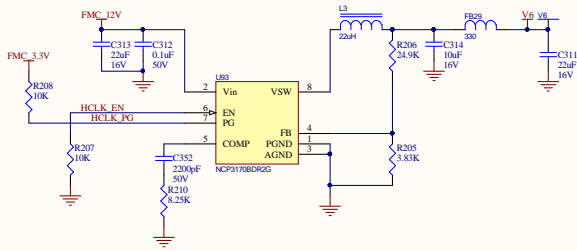
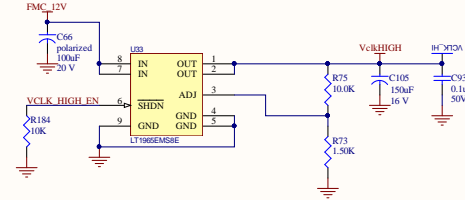


Title <b>FMC Connector - 43010006</b>		ON Semiconductor 1964 Lake Ave Rochester, NY 14615 USA	
Size: B	Number:	Revision: 2	 <small>ON Semiconductor</small>
Date: 4/24/2018	Time: 11:25:43 AM	Sheet: 2 of 16	
File: FMC Interface.SchDoc			

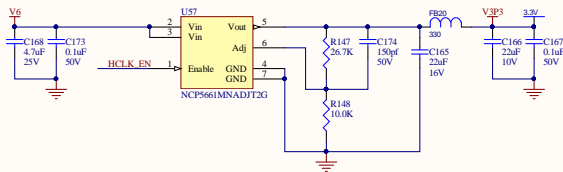
### LDO Input Voltage 6 VDC Nominal



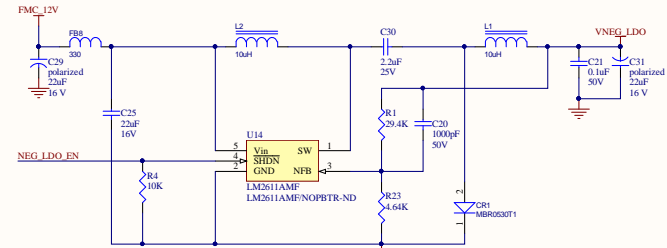
### VCLOCK 3rd Level Supply +9.0 VDC



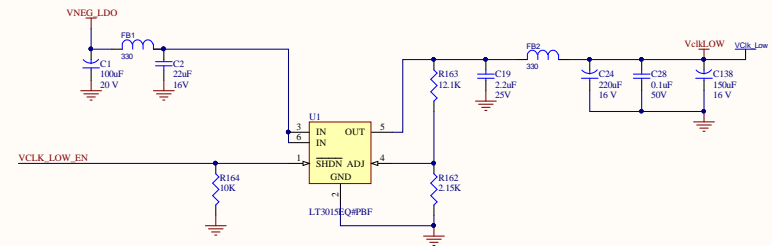
### HCLOCK High Supply +3.3 VDC



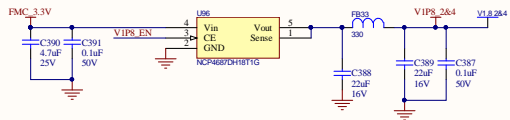
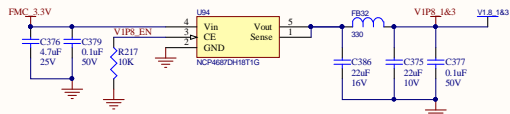
### NEG LDO -9.0 VDC Nominal



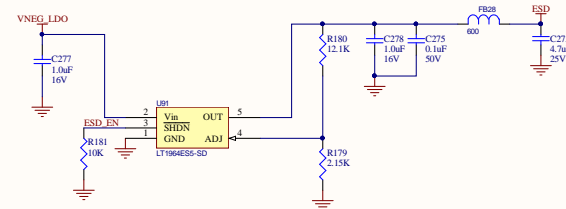
### VCLK Low -8.0 VDC Nominal



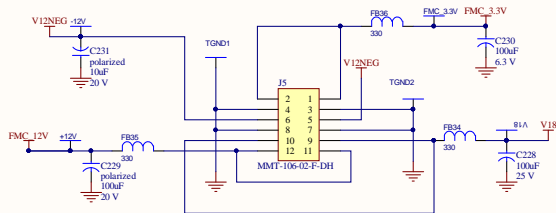
### AFE Supply +1.8 VDC

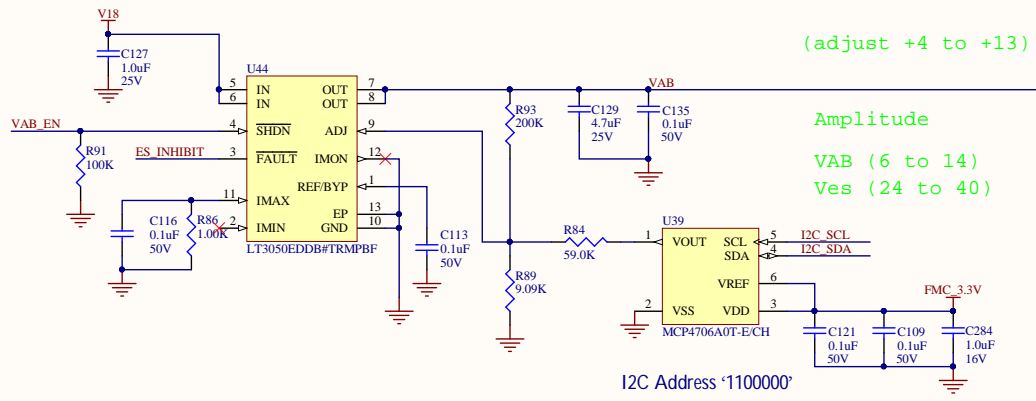


### ESD Supply -8.0 VDC

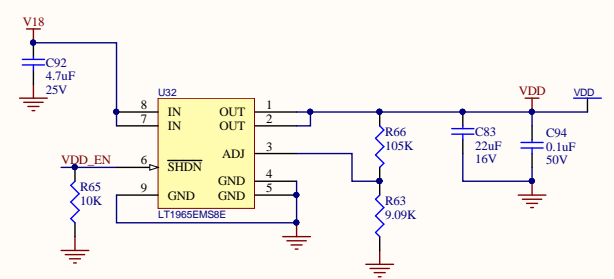


### FMC Power Connector

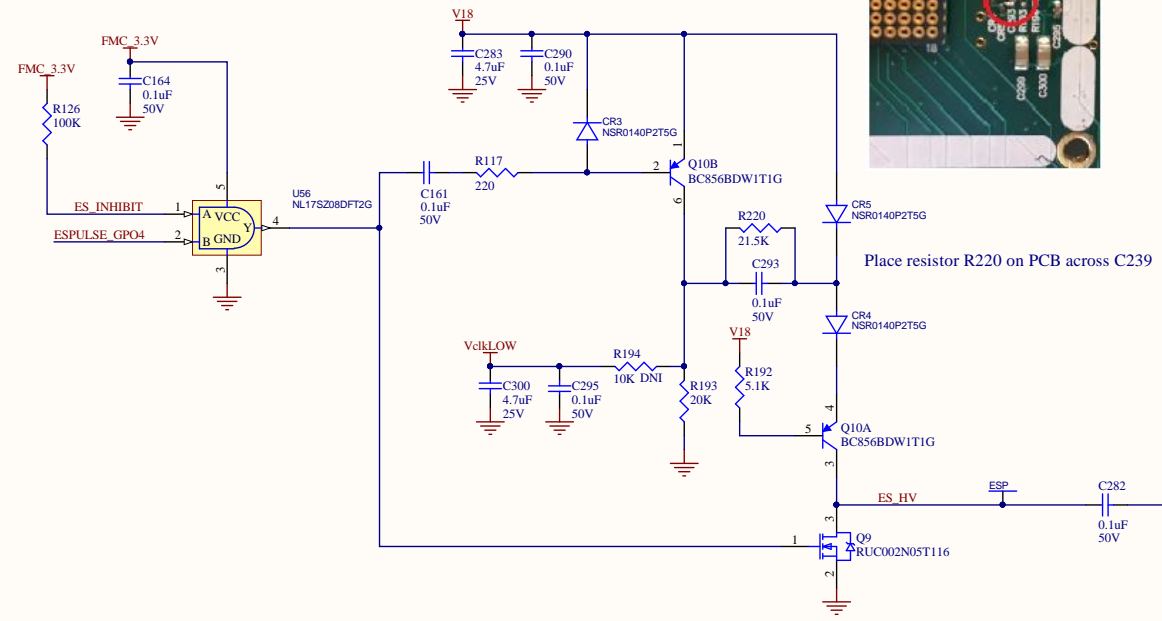
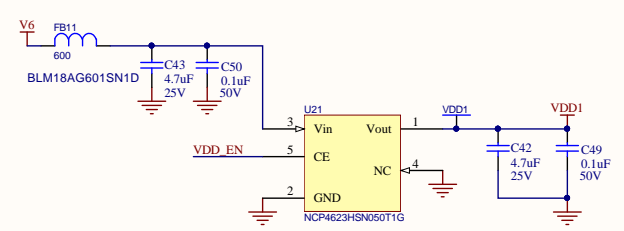


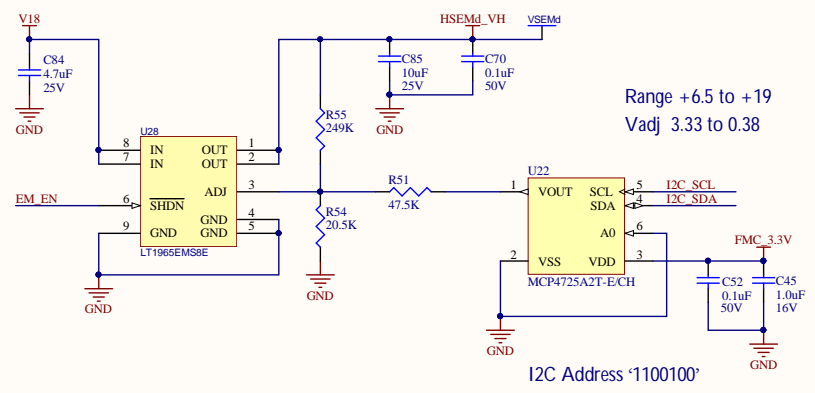
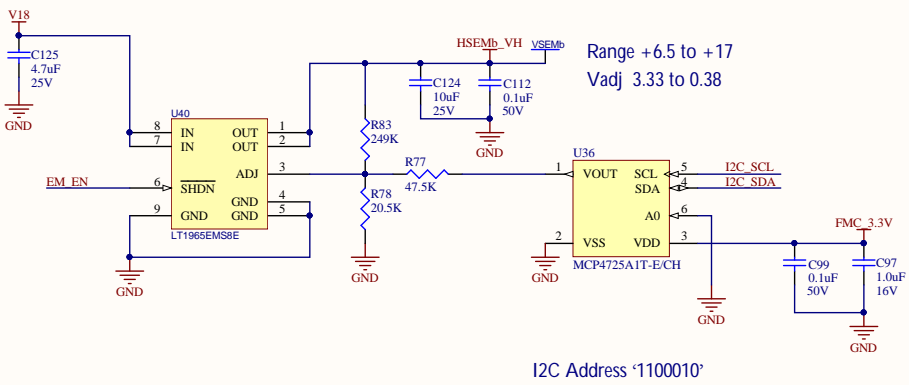
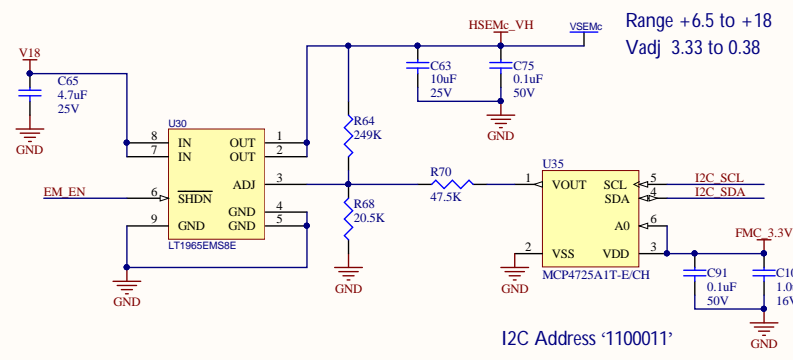
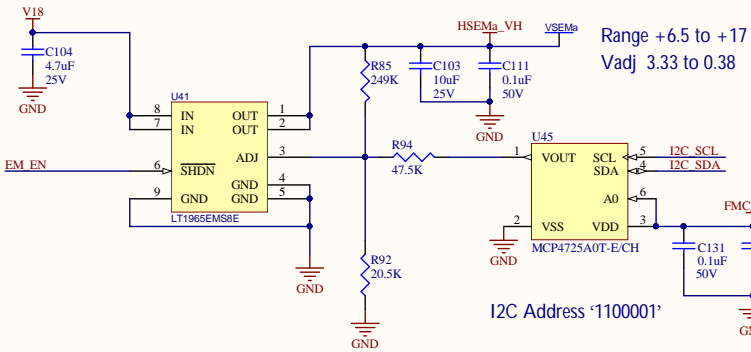
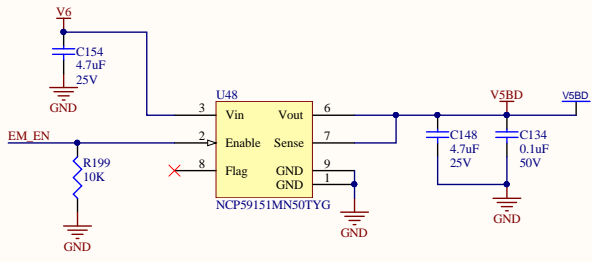
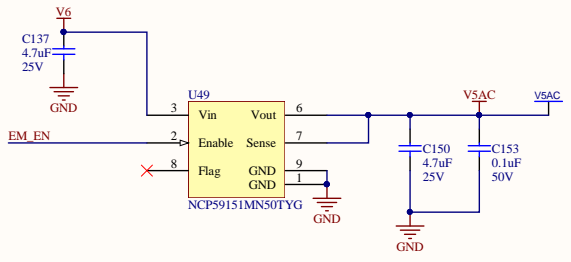


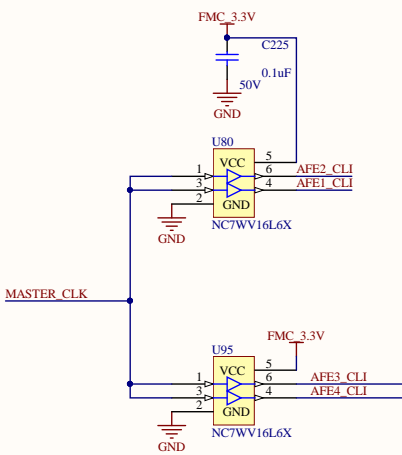
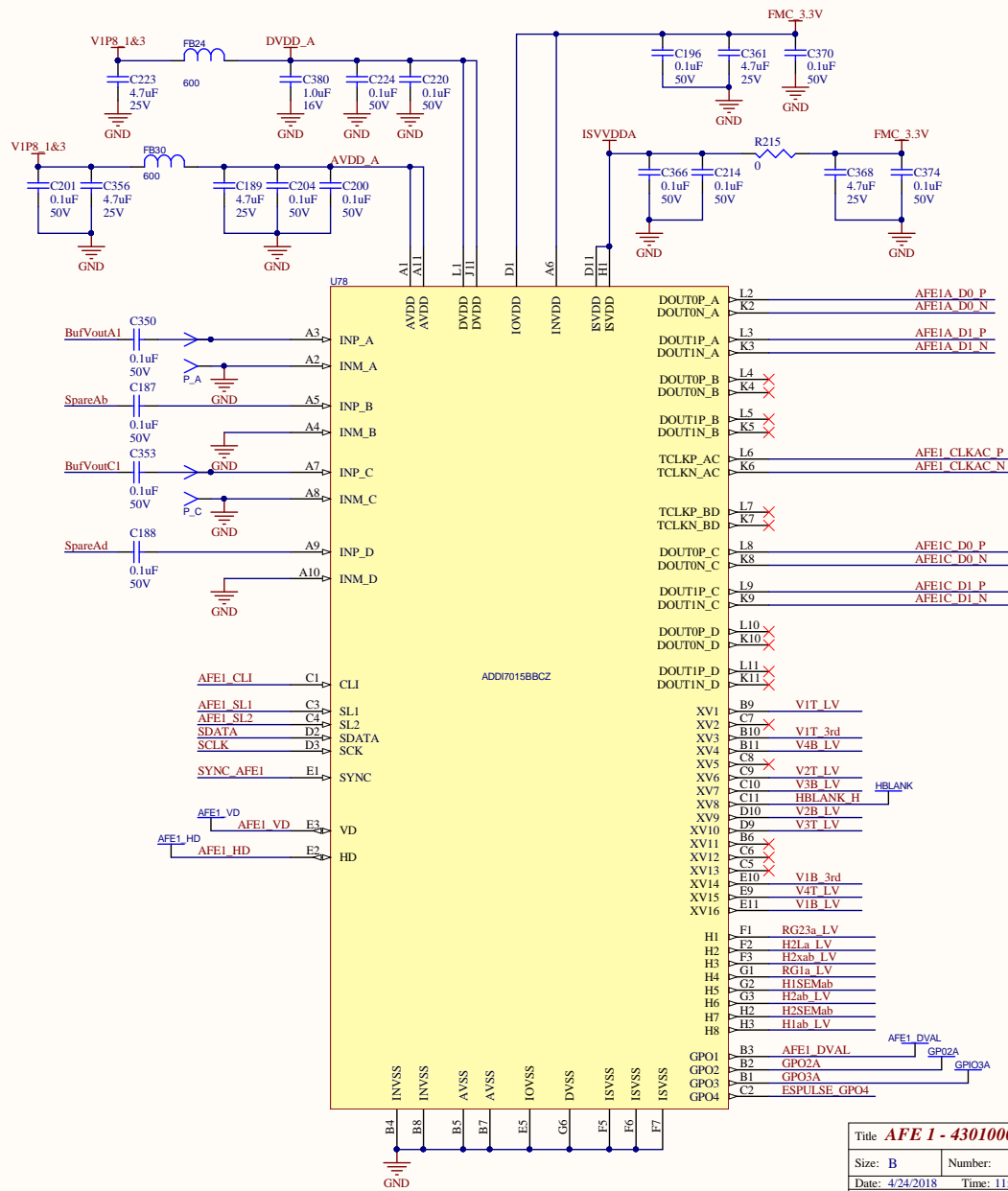
Imager Amplifier VDD23  
+15 V



Imager Amplifier VDD1  
+5 V



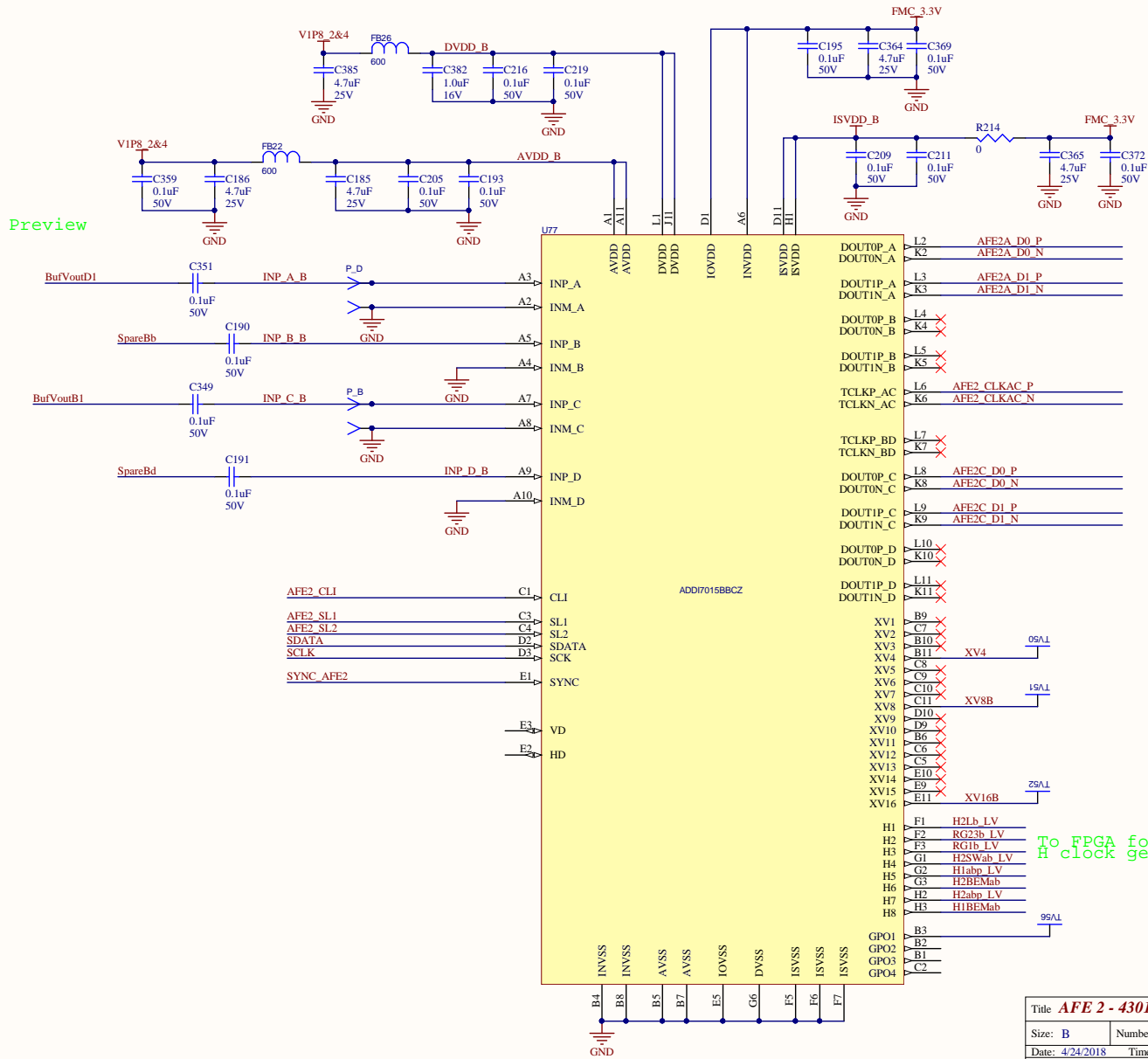




Title <b>AFE1 - 43010006</b>		ON Semiconductor 1964 Lake Ave Rochester, New York 14615 USA
Size: B	Number:	Revision:2
Date: 4/24/2018	Time: 11:25:44 AM	Sheet6 of 16
File: AFE_1.SchDoc		



Preview



To FPGA for fast H clock generation

Title <b>AFE 2 - 43010006</b>		ON Semiconductor 1964 Lake Ave Rochester, New York 14615 USA	
Size: B	Number:	Revision:2	
Date: 4/24/2018	Time: 11:25:44 AM	Sheet7 of 16	
File: AFE_2.SchDoc			



ON Semiconductor

A

B

C

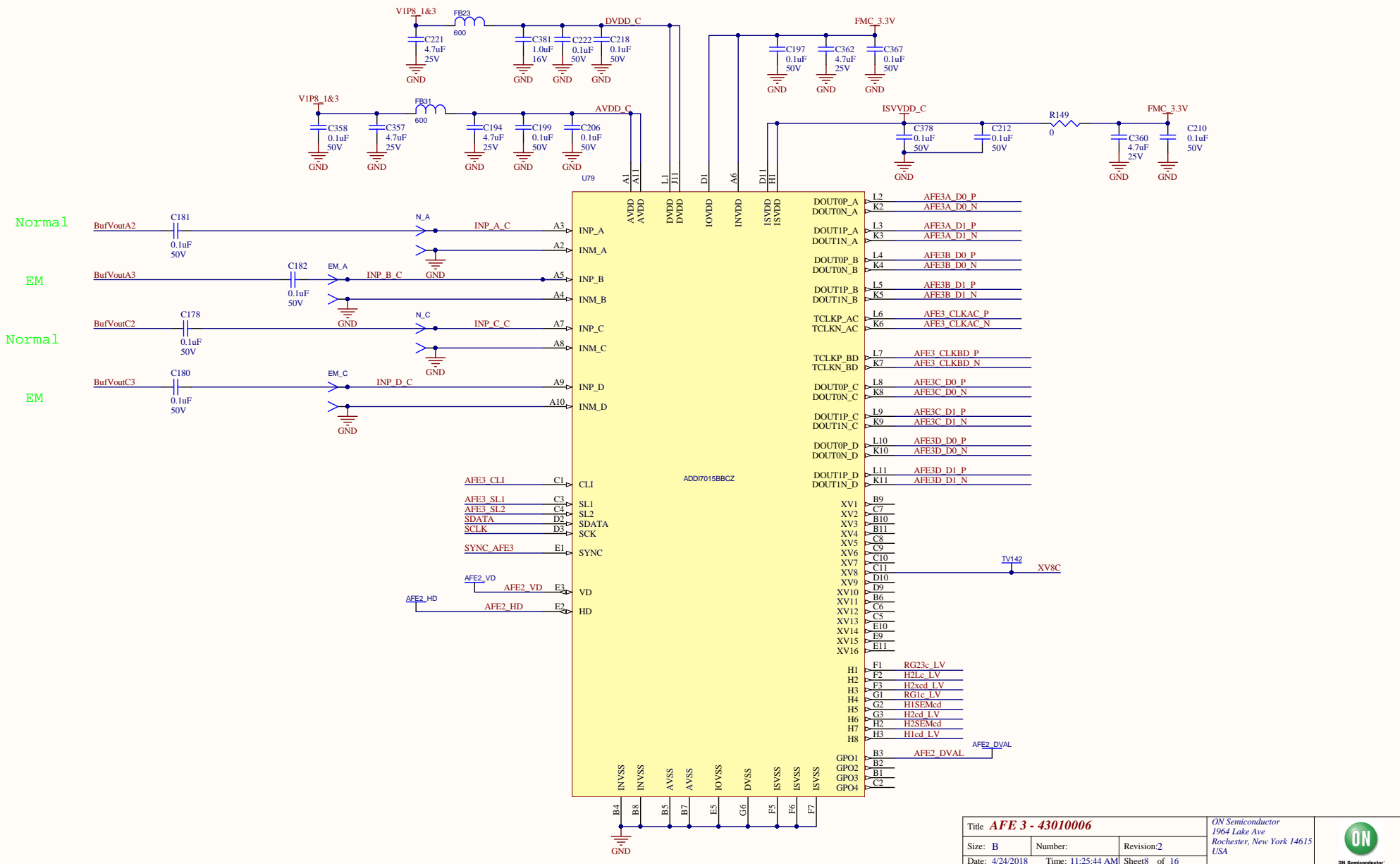
D

A

B

C

D



Title <b>AFE 3 - 43010006</b>		ON Semiconductor 1964 Lake Ave Rochester, New York 14615 USA	
Size: B	Number:	Revision:2	
Date: 4/24/2018	Time: 11:25:44 AM	Sheet8	of 16
File: AFE_3.SchDoc			





A

B

C

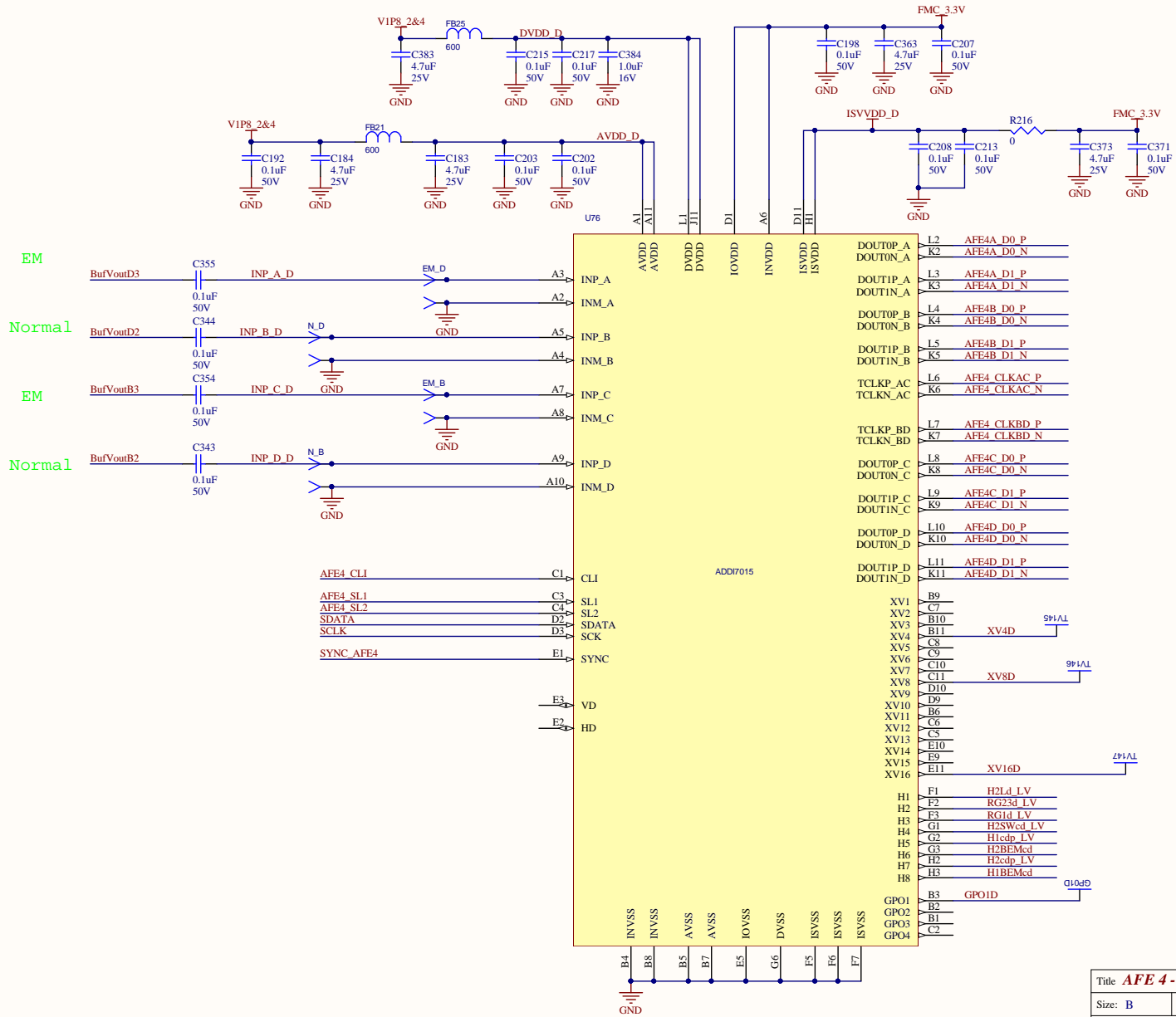
D

A

B

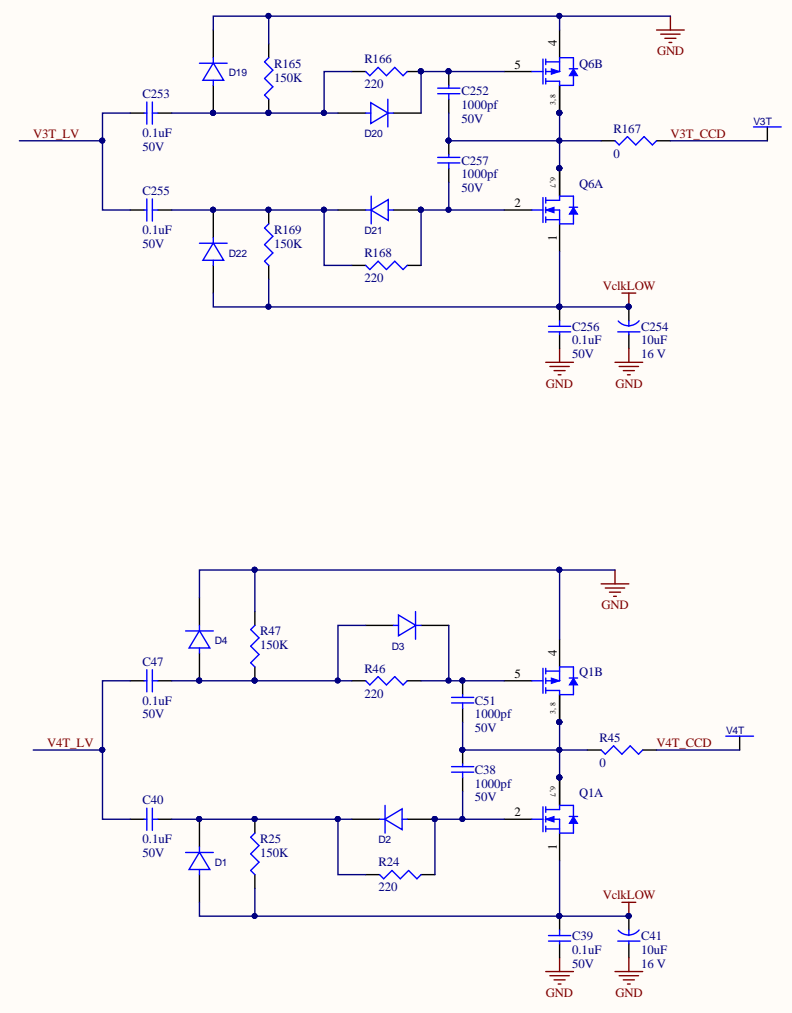
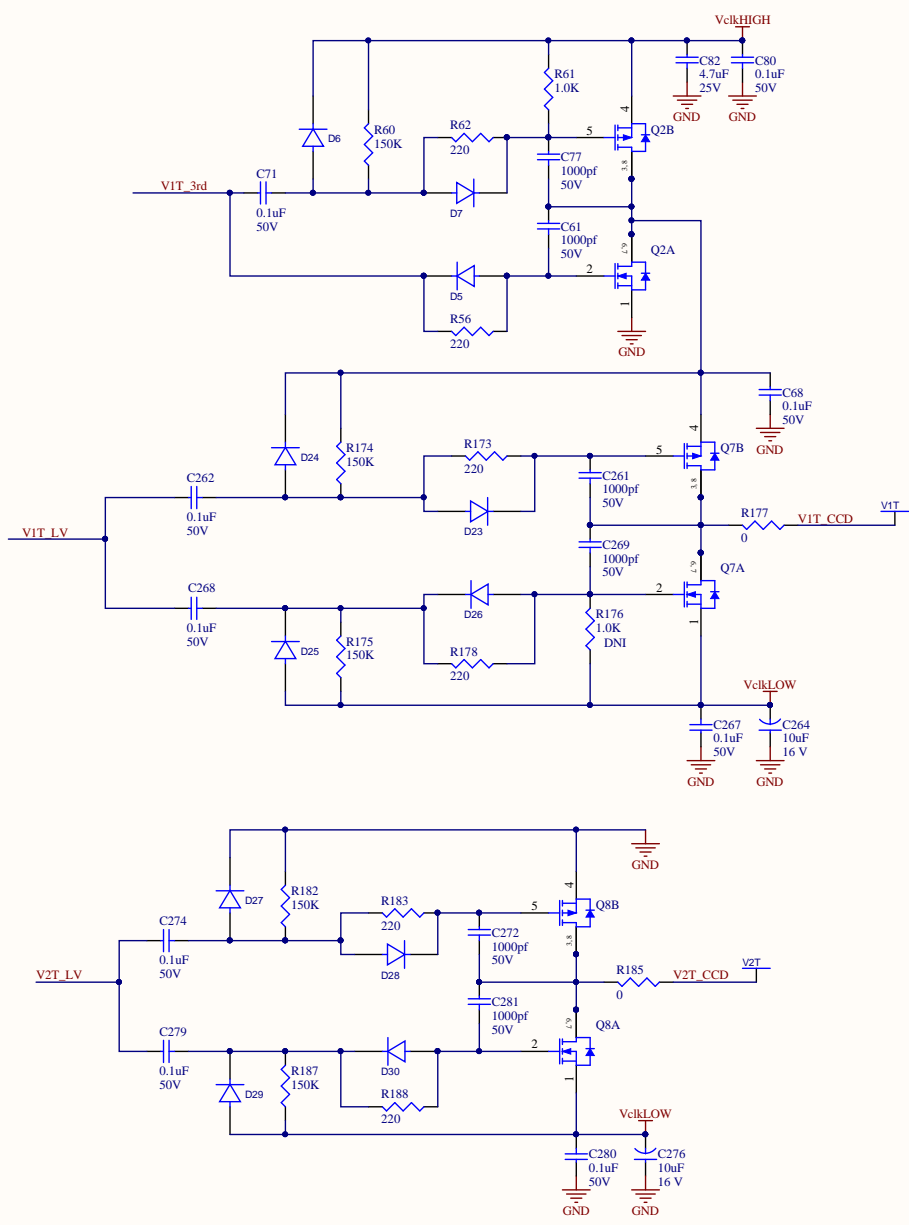
C

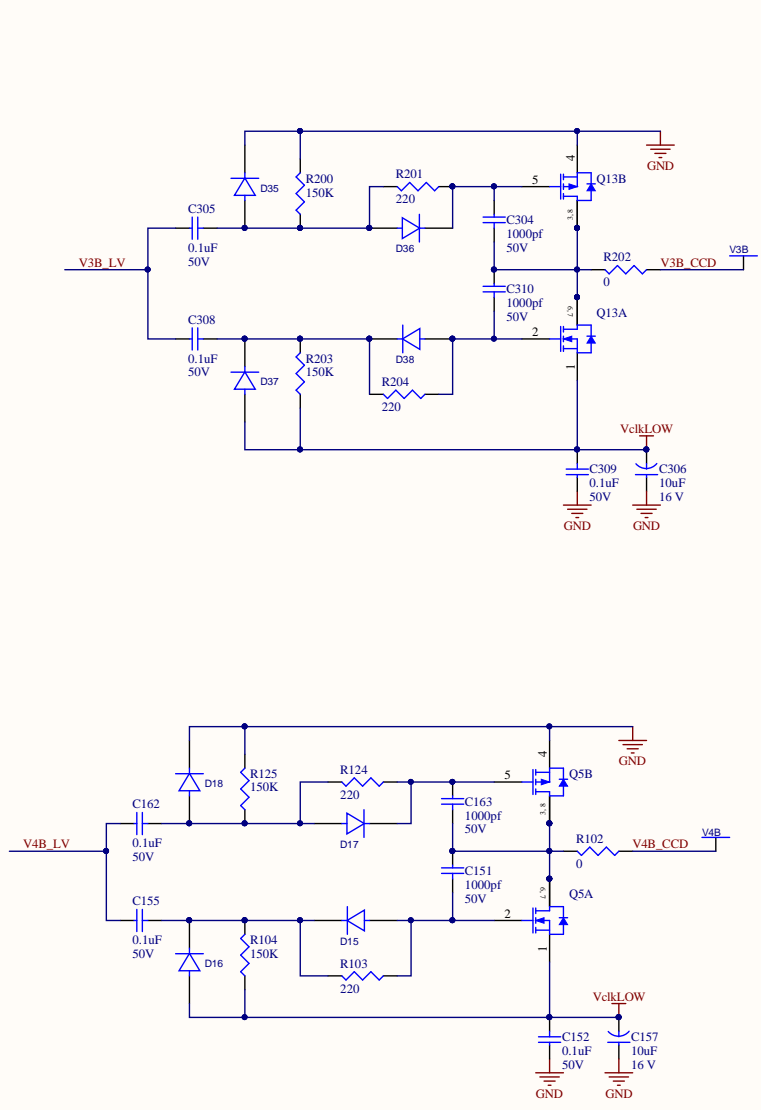
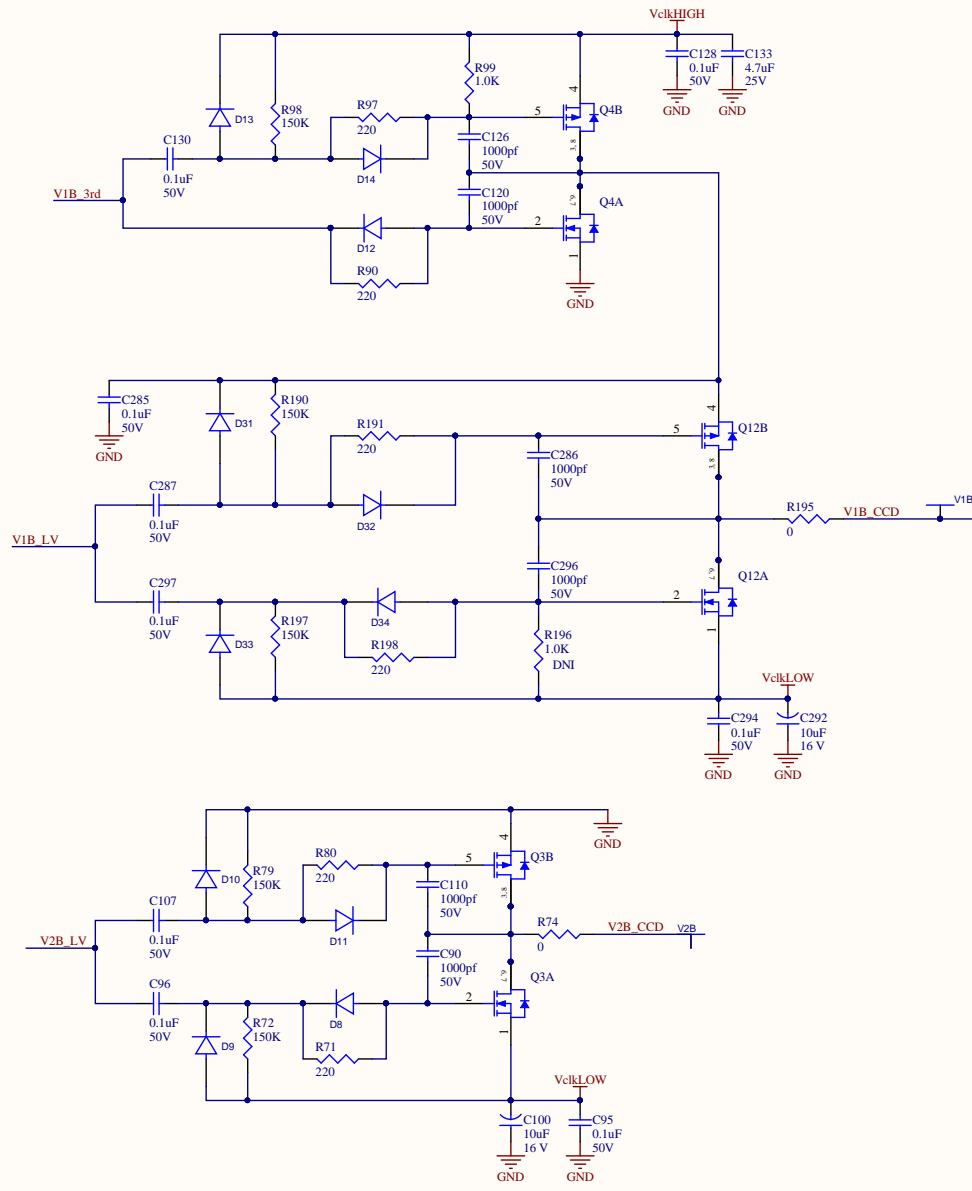
D

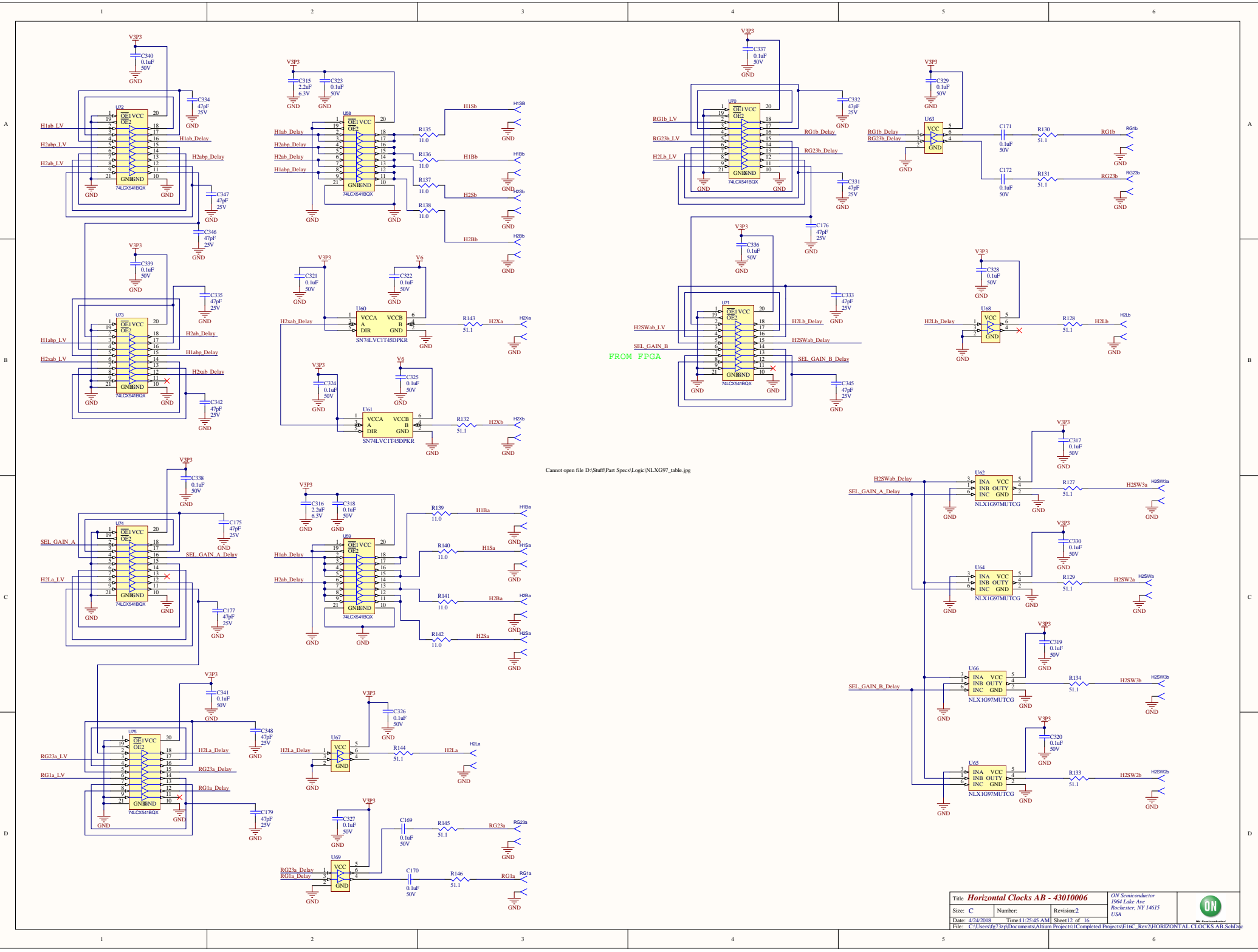


Title <b>AFE 4 - 43010006</b>		ON Semiconductor 1964 Lake Ave Rochester, New York 14615 USA	
Size: B	Number:	Revision:2	
Date: 4/24/2018	Time: 11:25:44 AM	Sheet9 of 16	
File: AFE_4.SchDoc			

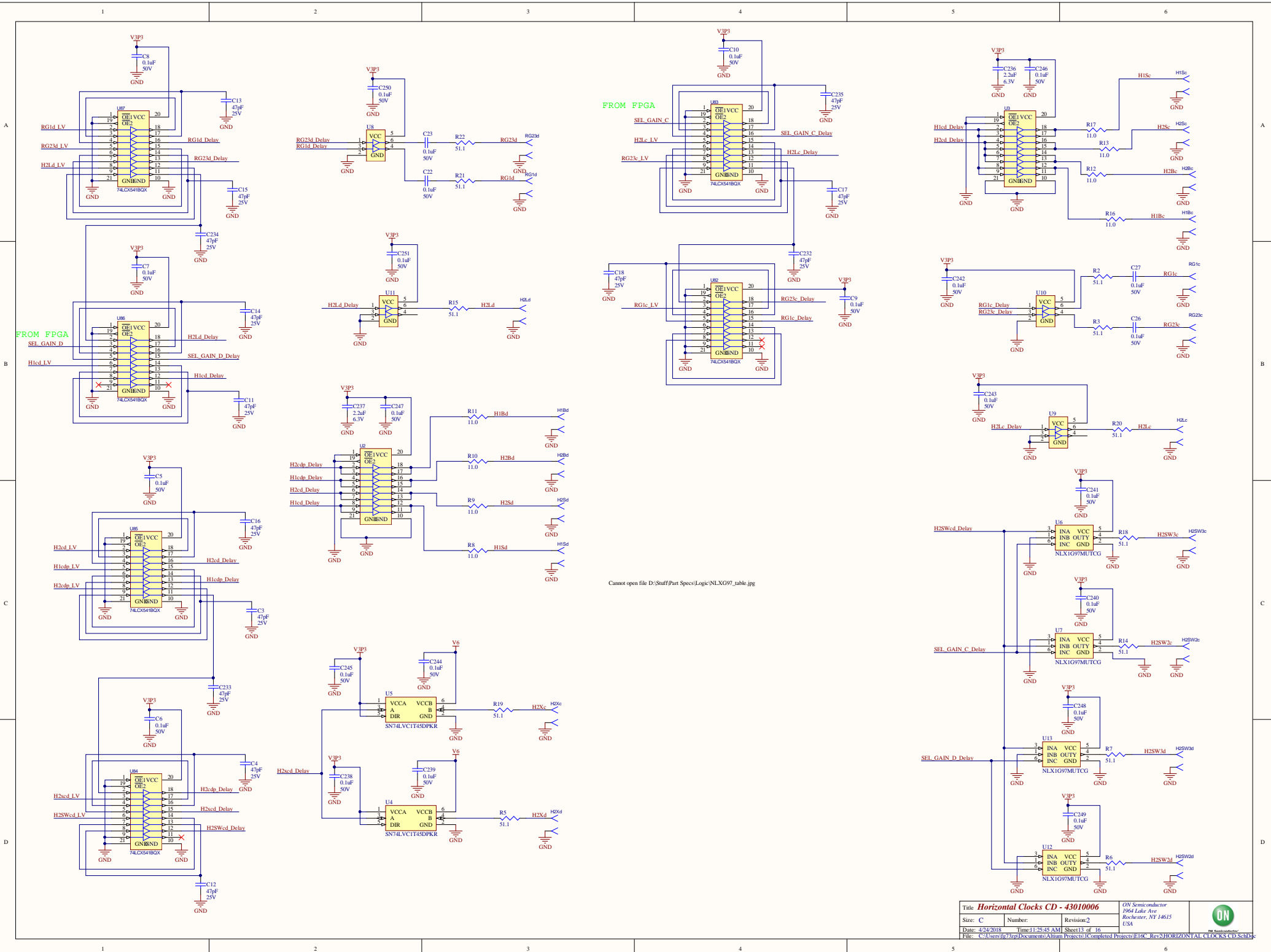








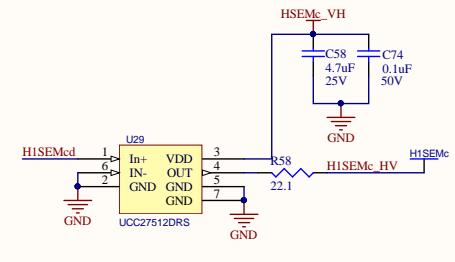
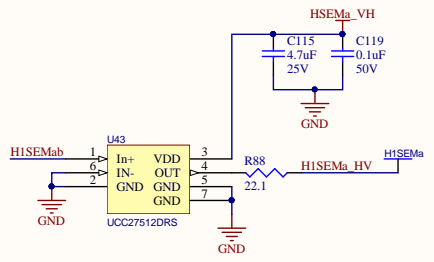
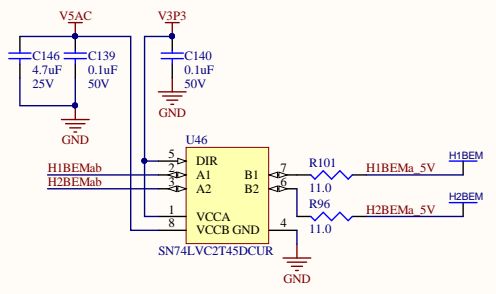
Cannot open file D:\Stuff\Part Specs\Logic\NLXG97\_table.jpg



Cannot open file D:\Stuff\Part Specs\Logic\NLXG97\_table.jpg

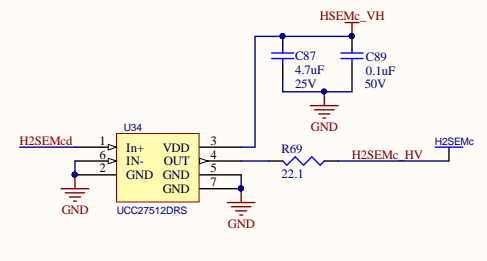
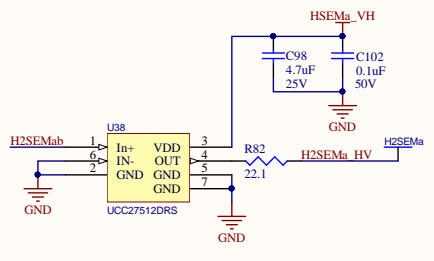
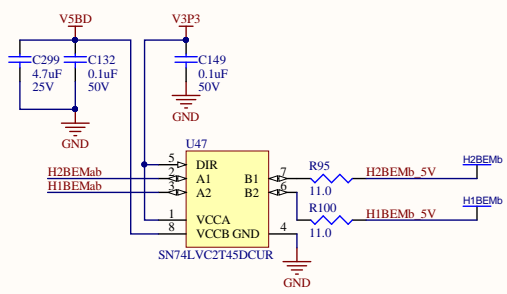
1 2 3 4 5 6

A



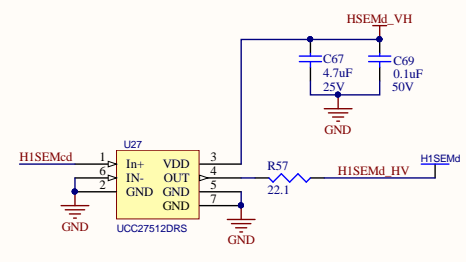
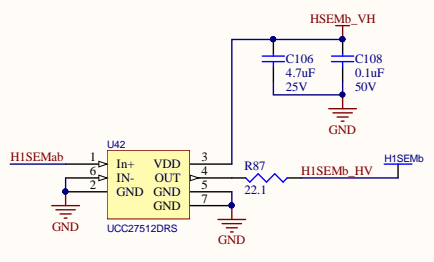
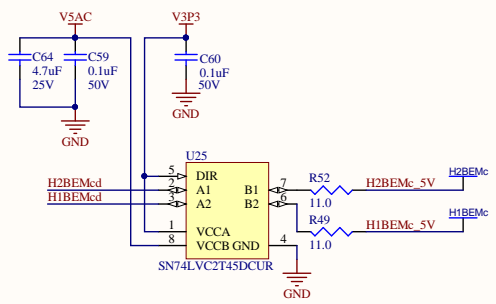
A

B



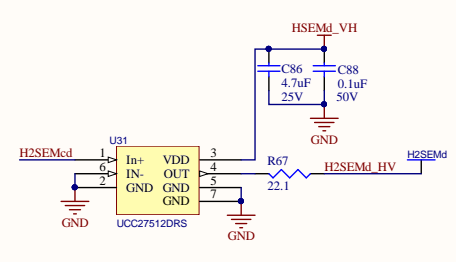
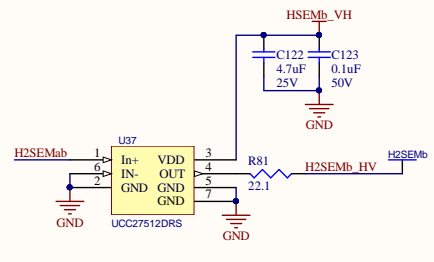
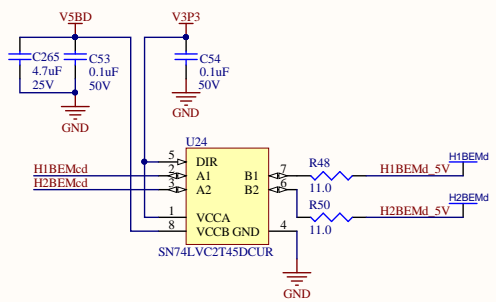
B

C




C

D



D

Title <b>EM Clocks - 43010006</b>		ON Semiconductor 1964 Lake Ave Rochester, NY 14615 USA		 <small>ON Semiconductor</small>
Size: B	Number:	Revision: 2		
Date: 4/24/2018	Time: 11:25:45 AM	Sheet 14 of 16		
File: EMCLOCKS.SchDoc				

1 2 3 4 5 6

A

B

C

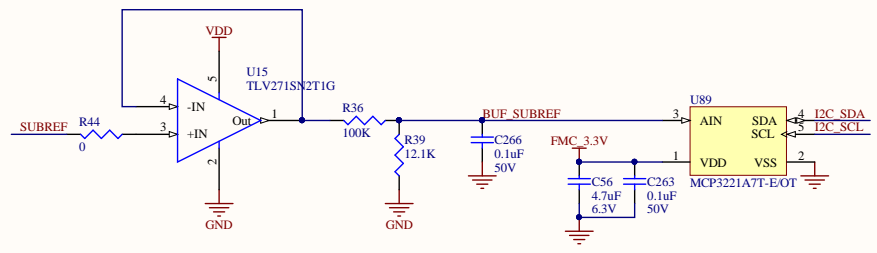
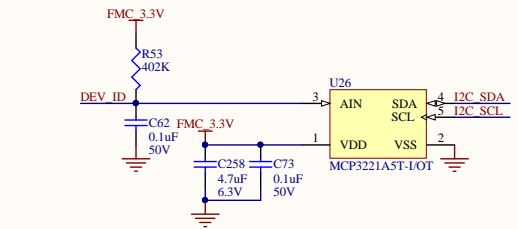
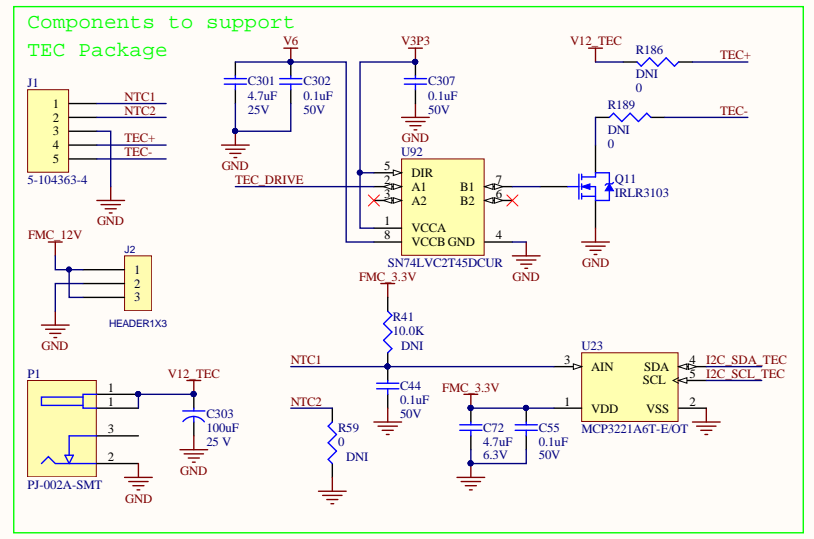
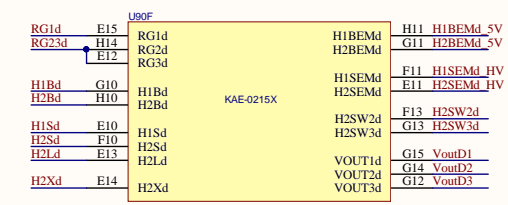
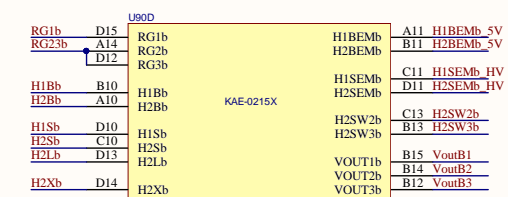
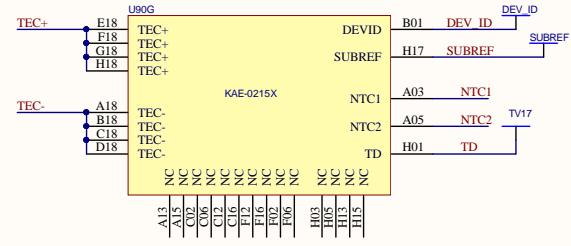
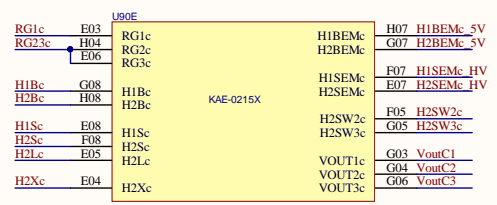
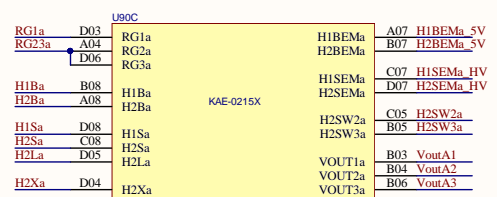
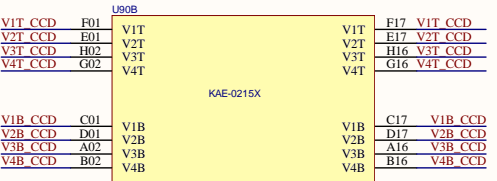
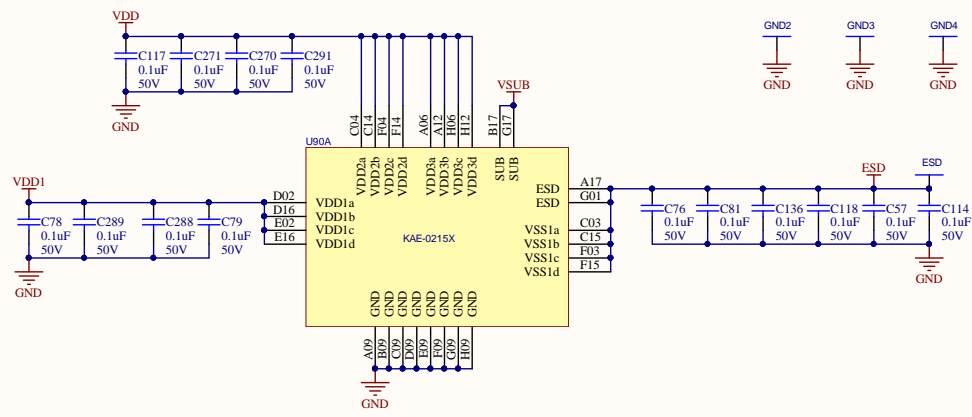
D


A

B

C

D



Title <b>KAE-02150 - 43010006</b>			ON Semiconductor 1964 Lake Ave Rochester, NY 14615 USA
Size: B	Number:	Revision: 2	
Date: 4/24/2018	Time: 11:25:45 AM	Sheet 15 of 16	
File: KAE-02150.SchDoc			

130K sets load current to 2.5mA

