

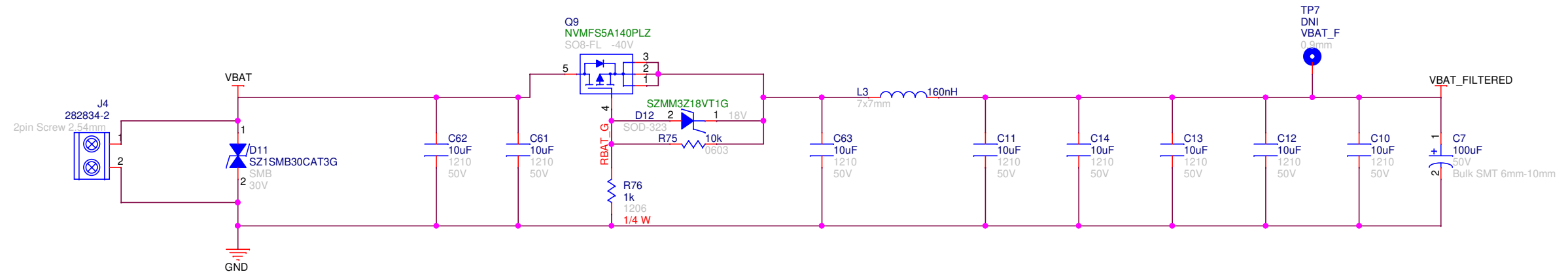


**FUSB15201 + NCV81599**  
**USB-PD DUAL PORT**

**AUTOMOTIVE**

<b>onsemi</b>		
Title FUSB15201 + NCV81599	Orderable Part Number	
Variant Name	Document Number ONSEC-21-004	Rev REV1
Date: Wednesday, September 22, 2021	Sheet 1 of 5	1

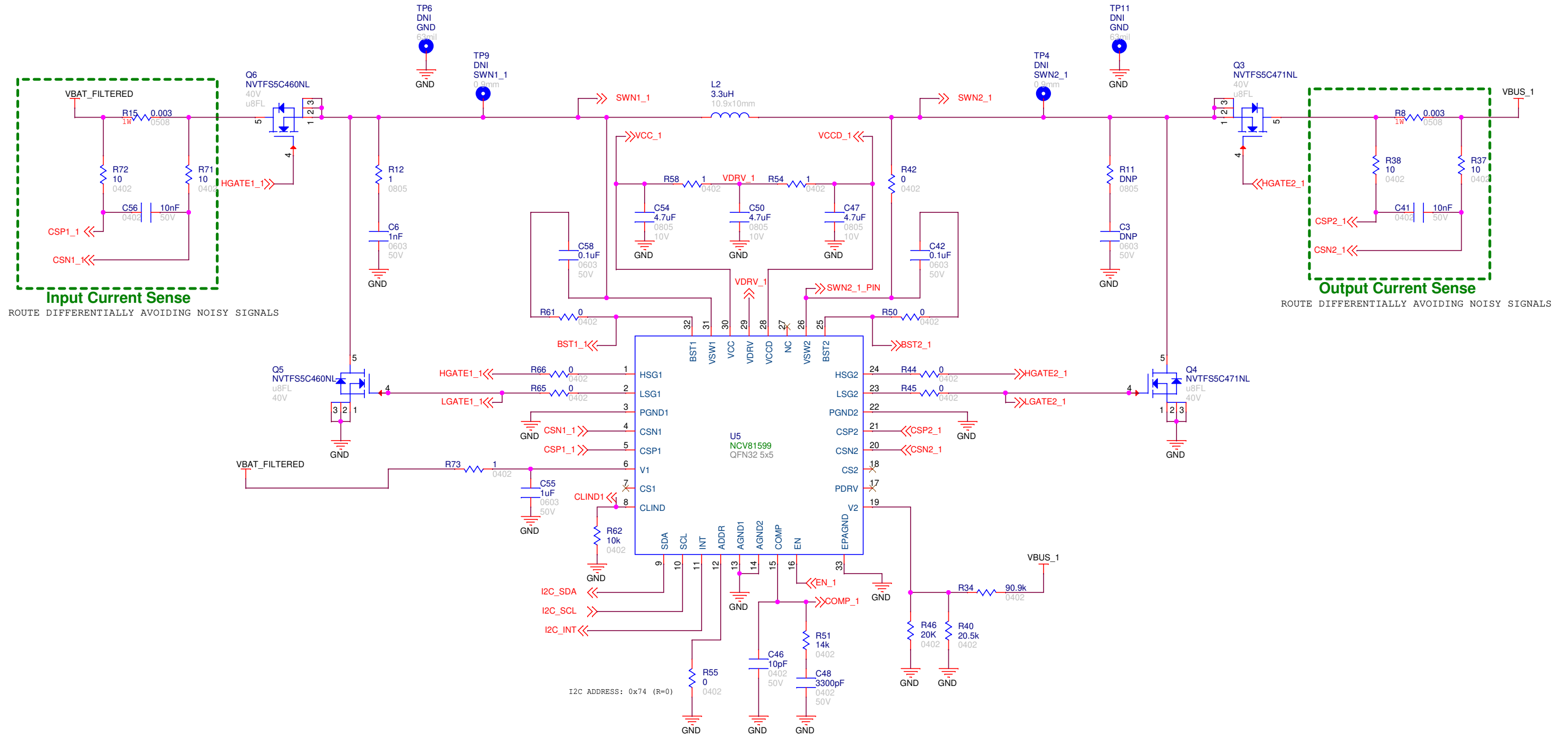
# INPUT FILTERS AND BATTERY PROTECTION



onsemi

Title FUSB15201 + NCV81599		Orderable Part Number
Variant Name		Document Number ONSEC-21-004
Date: Wednesday, September 22, 2021		Rev REV1

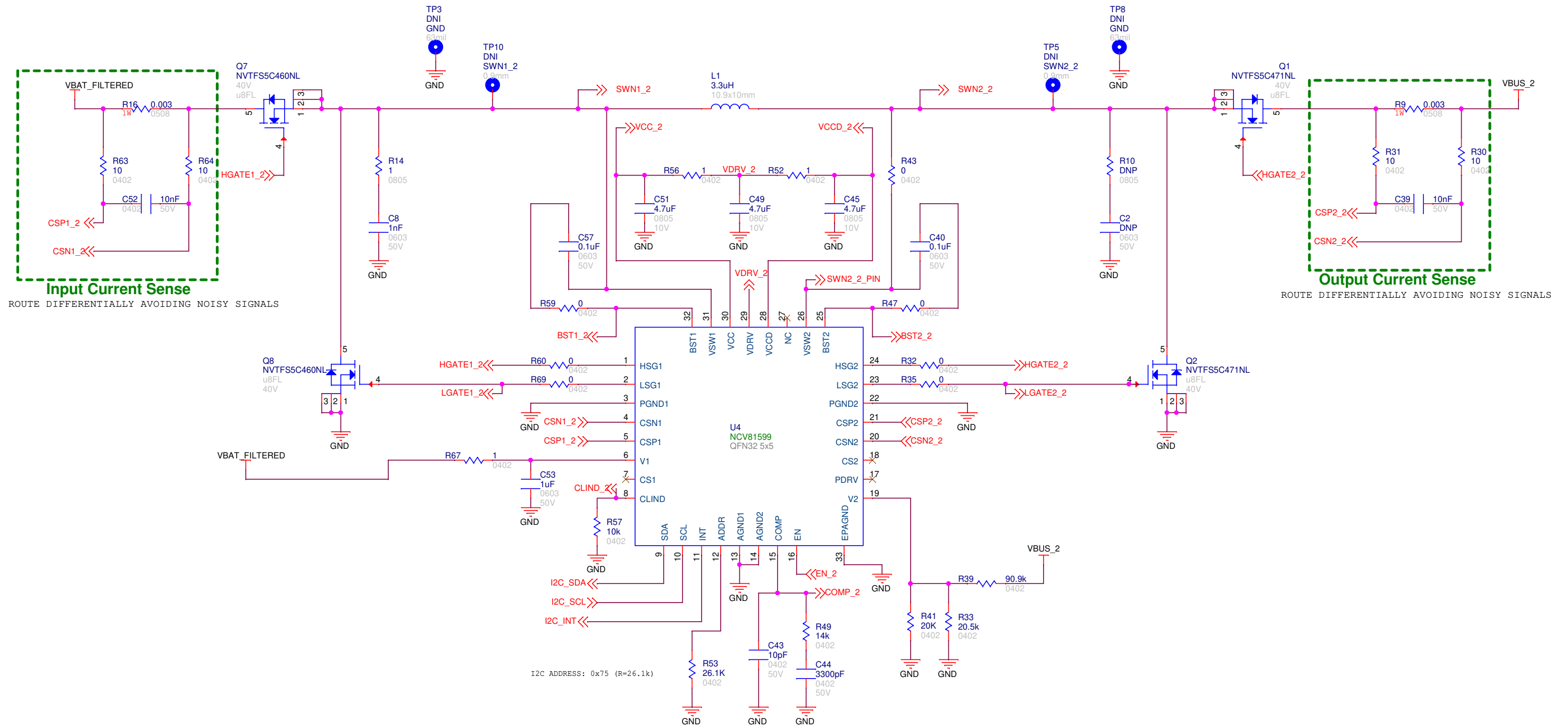
# NCV81599 - POWER STAGE 1



onsemi

Title FUSB15201 + NCV81599		Orderable Part Number
Variant Name	Document Number ONSEC-21-004	Rev REV1
Date: Wednesday, September 22, 2021	Sheet 3 of 5	

# NCV81599 - POWER STAGE 2

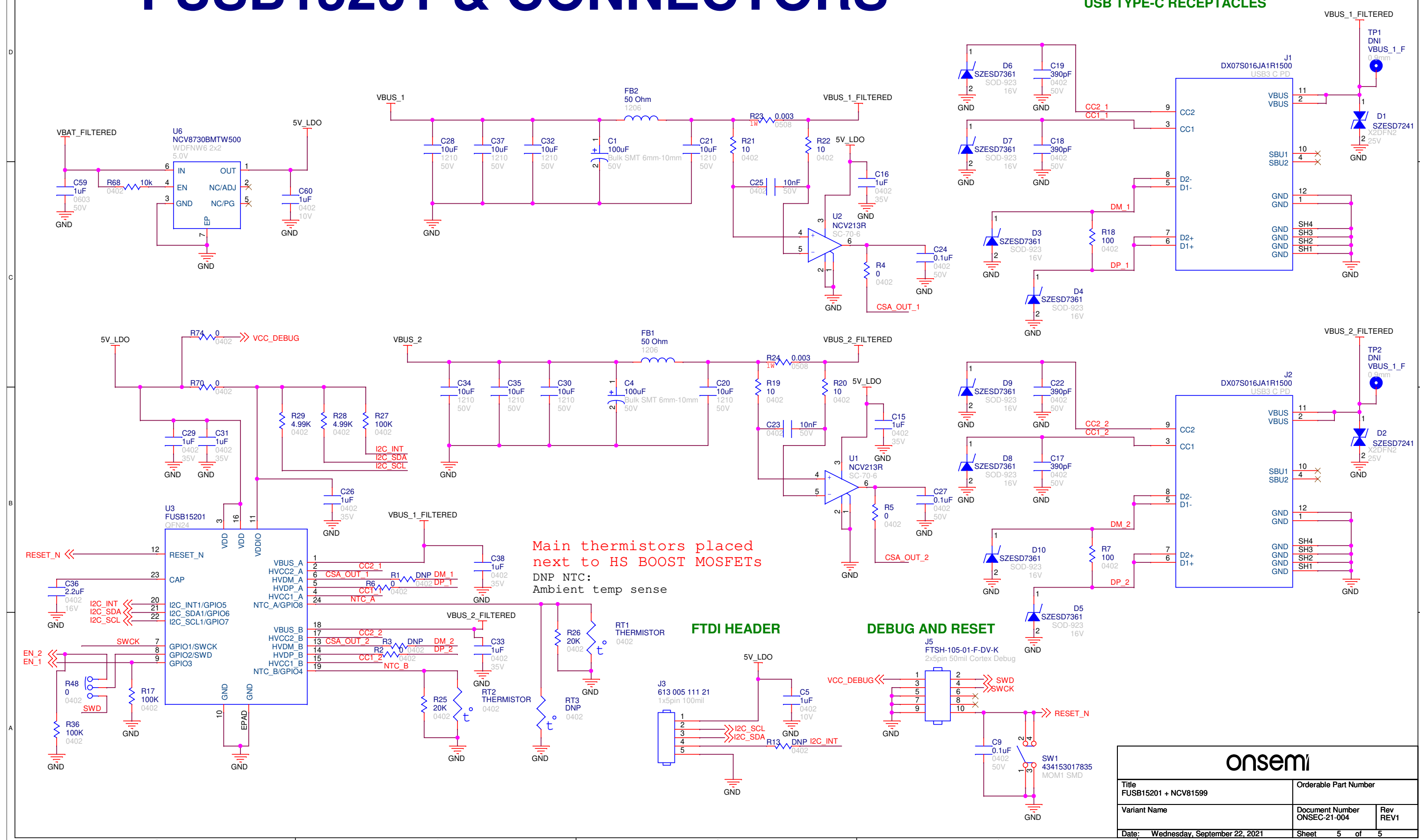


onsemi

Title FUSB15201 + NCV81599		Orderable Part Number	
Variant Name		Document Number ONSEC-21-004	Rev REV1
Date: Wednesday, September 22, 2021		Sheet	4 of 5

# FUSB15201 & CONNECTORS

## USB TYPE-C RECEPTACLES



Main thermistors placed next to HS BOOST MOSFETs  
 DNP NTC:  
 Ambient temp sense

### FTDI HEADER

### DEBUG AND RESET

<b>onsemi</b>	
Title FUSB15201 + NCV81599	Orderable Part Number
Variant Name	Document Number ONSEC-21-004
Date: Wednesday, September 22, 2021	Rev REV1
Sheet 5 of 5	