


8 7 6 5 4 3 2 1

TITLE: FAN3852 Evaluation Main Board  
PART NUMBER: D11-102687-A  
DATE: 28 MAR 2019

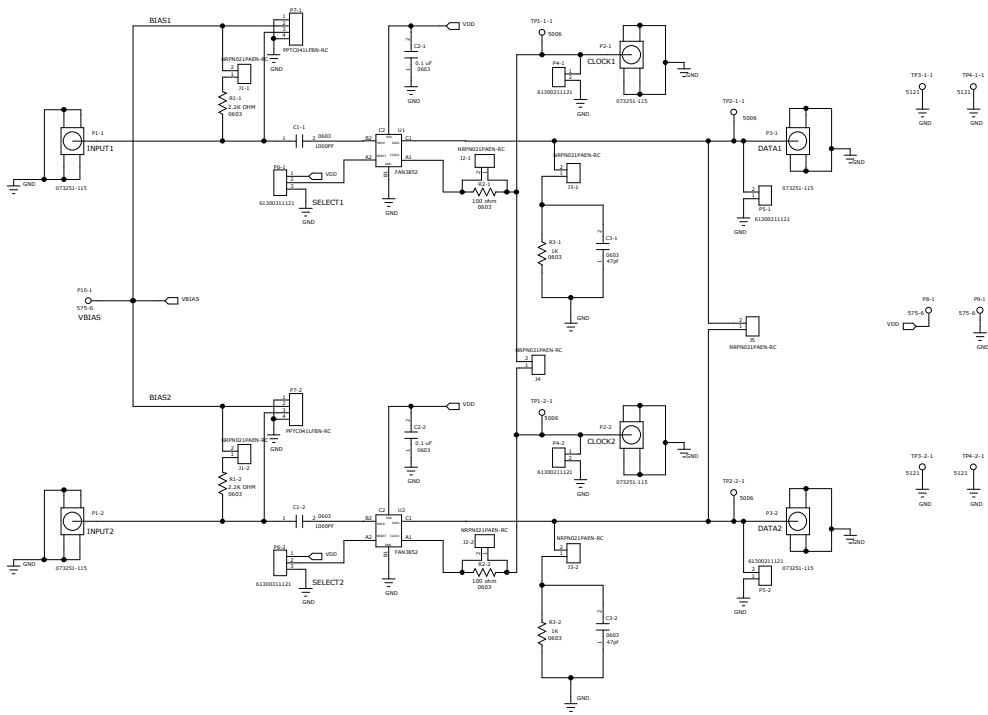
REVISION HISTORY:

ITEM:	MODIFY DATE:	DESCRIPTION:
1.	06 MAR 2019	AS CREATED.


 <p>21 SCIENCE PARK ROAD #03-26, THE AQUARIUS SINGAPORE 117628 www.dynamic-test.com 1-408-459-5957 +65-6873-4610</p>	COMPANY: ON SEMICONDUCTOR	
	TITLE: FAN3852 Evaluation Main Board	
THIS DOCUMENT IS CONFIDENTIAL AND PROPRIETARY	CODE:	REV: B
DRAWN: VIGNESH KUMAR CHECKED: LARISSA IVANOVA	DATES: 28 MAR 2019 DATE: 9 APR 2018	DRAWING NO: D11-102687-A
SCALE: NTS		SHEET: 1 OF 2

7 6 5 4 3 2 1

# FAN3852 Evaluation Main Board



MH1-1  
MH2-1  
MH3-1  
MH4-1

	21 SCIENCE PARK ROAD #03-26, THE AQUARIUS SINGAPORE 117628 www.dynamic-test.com 1-408-459-5957 +65-6873-4610		COMPANY: <b>ON SEMICONDUCTOR</b>
	TITLE: <b>FAN3852 Evaluation Main Board</b>		
THIS DOCUMENT IS CONFIDENTIAL AND PROPRIETARY	DRAWN: <b>VIGNESH KUMAR</b>	DATED: <b>28 MAR 2019</b>	CODE:
CHECKED BY: <b>LARISSA IVANOVA</b>	DATED: <b>9 APR 2018</b>	DRAWING NO: <b>D11-102687-A</b>	REV: <b>B</b>
SCALE: NTS		SHEET: 2 OF 2	