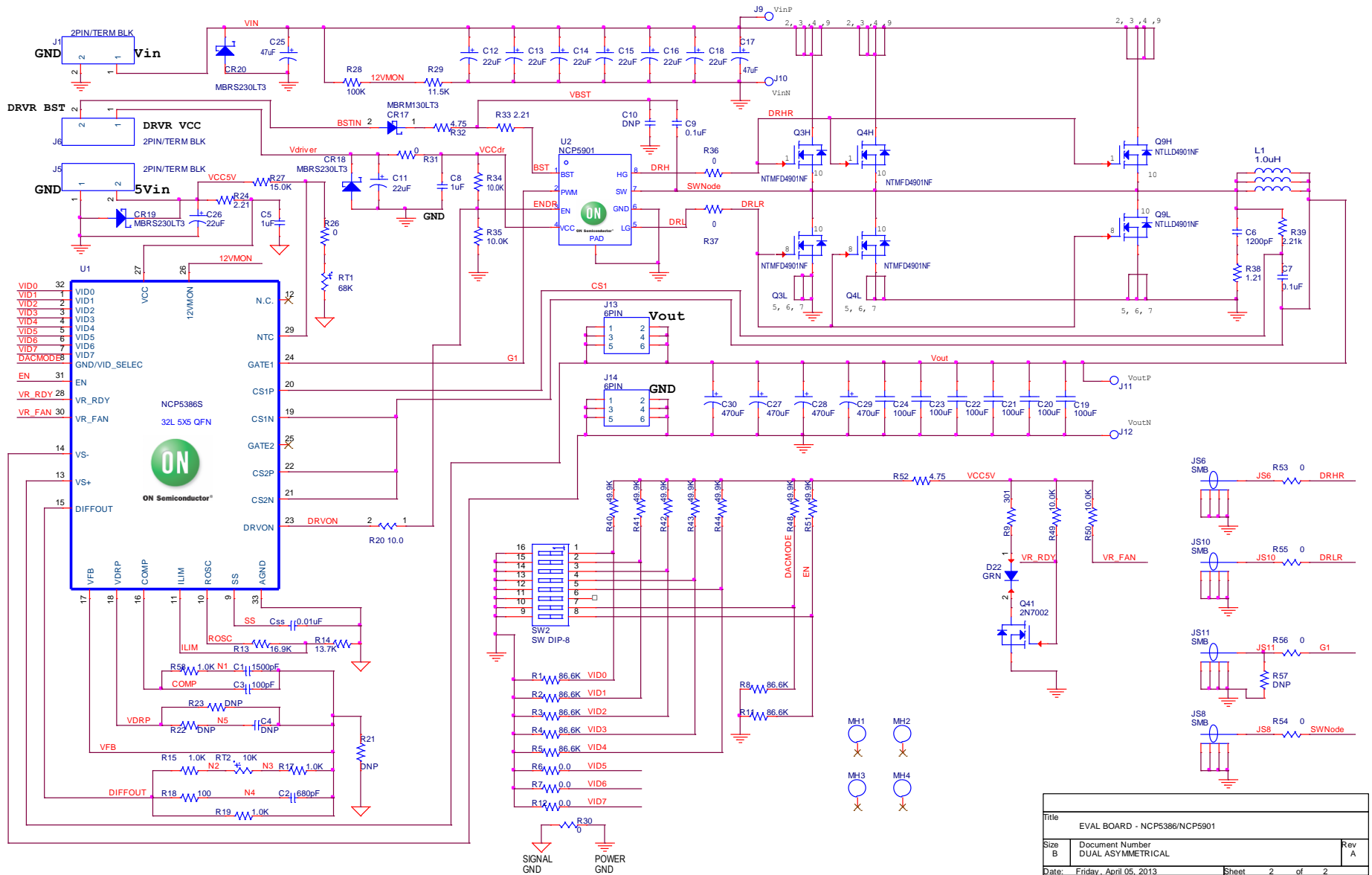




# Schematic for the DUALASYMB12VGEVB Evaluation Board



Title EVAL BOARD - NCP5386/NCP5901		
Size B	Document Number DUAL ASYMMETRICAL	Rev A
Date: Friday, April 05, 2013	Sheet 2 of 2	