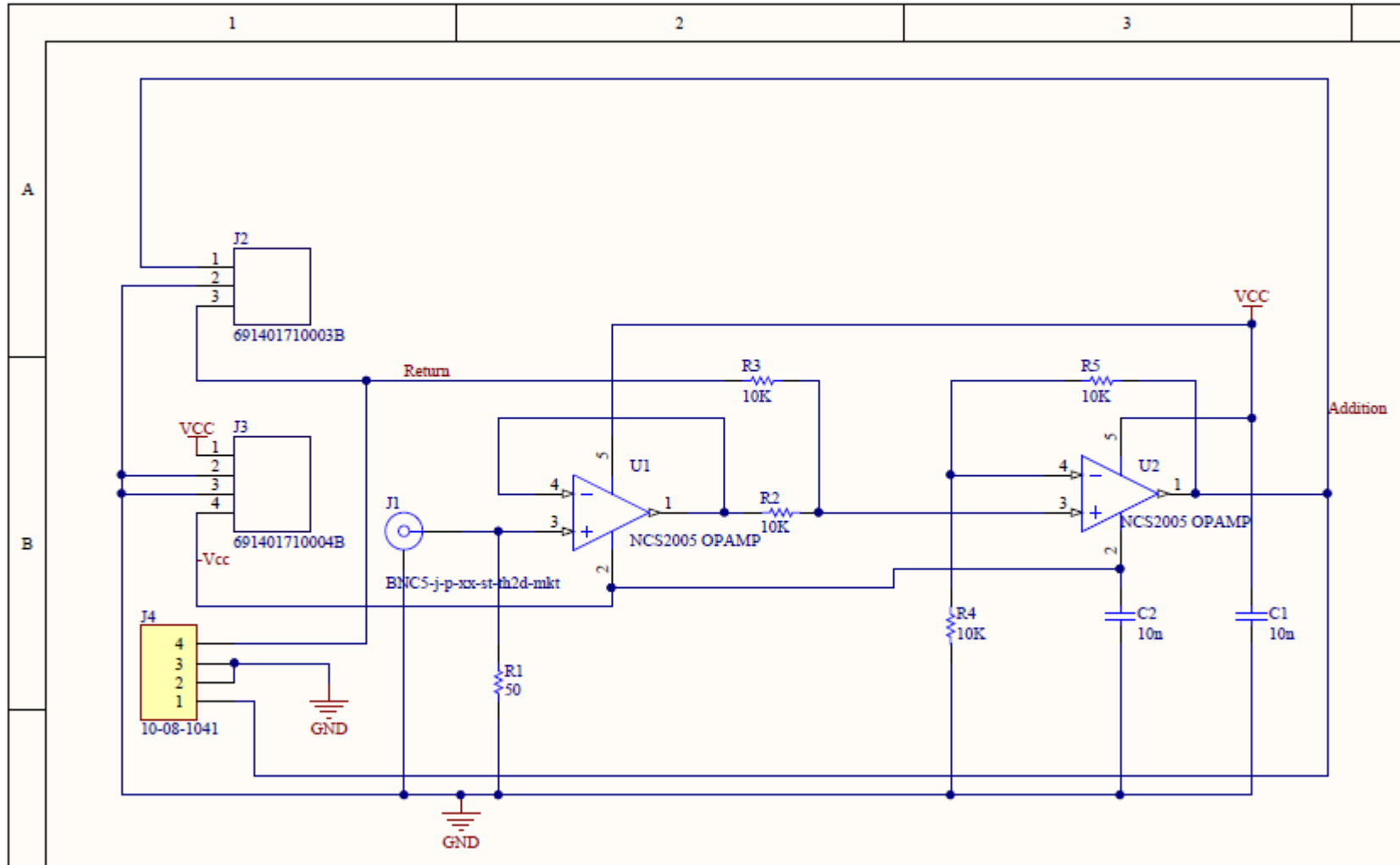




Schematic for the CONTROL-LOOP-GEVB Evaluation Board



ON Semiconductor®

