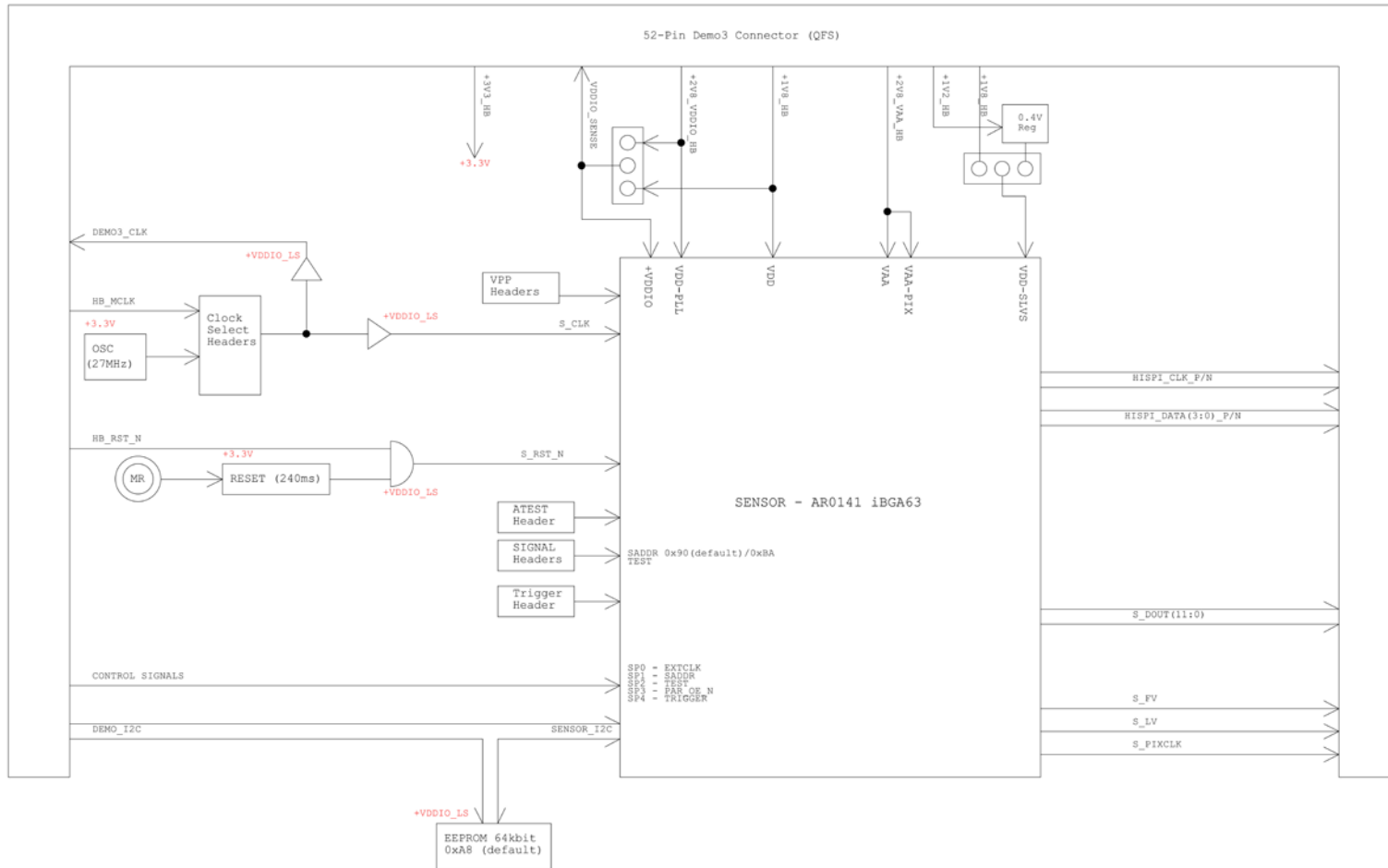


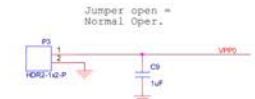
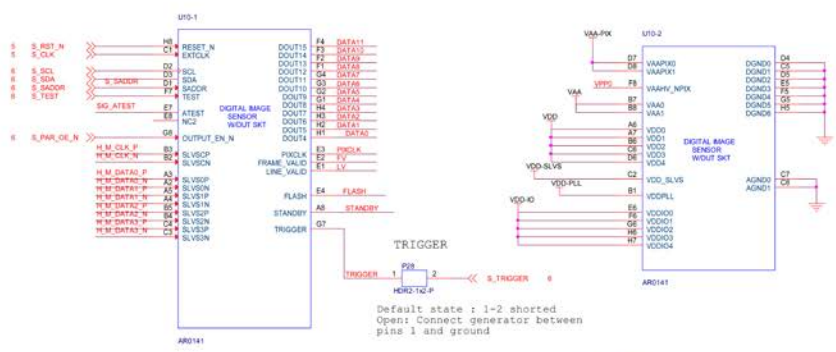
Schematic for the AR0141CS2M00SUEAH3-GEVB Evaluation Board

Block Diagram

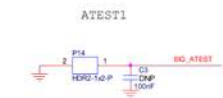
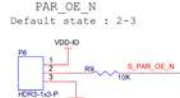
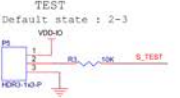
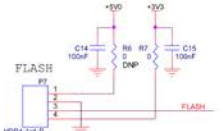
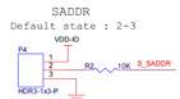
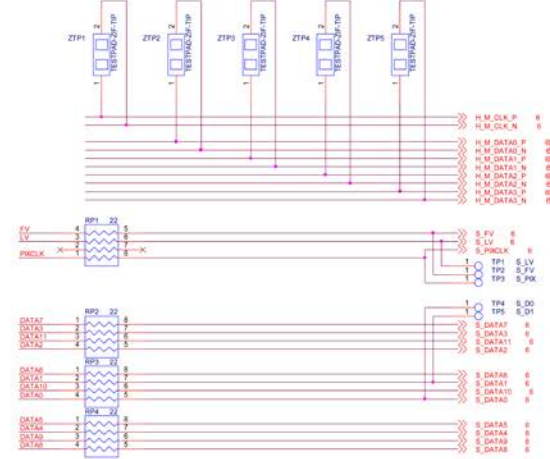




Sensor



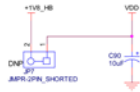
(Note for layout: - Place these testpads near the Demo3 I/F connector at the top side of PCB)



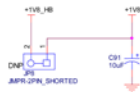
Debug Headers: Cut away the shorted trace and mount header for power debugging

Power

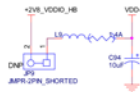
VDD 1.8V SUPPLY



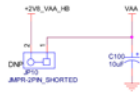
VDD-SLVS 1.8V SUPPLY



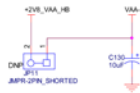
VDD-PLL 2.8V SUPPLY



VAA 2.8V SUPPLY



VAA-PIX 2.8V SUPPLY



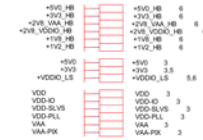
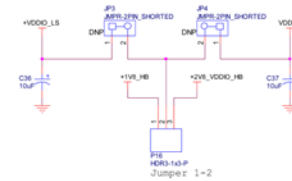
PERIPHERAL 5V SUPPLY



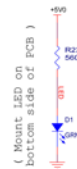
PERIPHERAL 3.3V SUPPLY



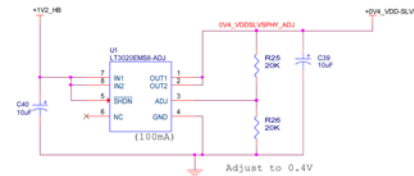
VDDIO & VDDIO LS 1.8V/2.8V SUPPLY



5V LED



VDDSLVSPHY 0.4V SUPPLY



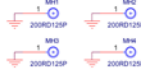
Selection of 0.4V or 1.2V/1V8 for VDDSLVSPHY supply



Ground Testpoints



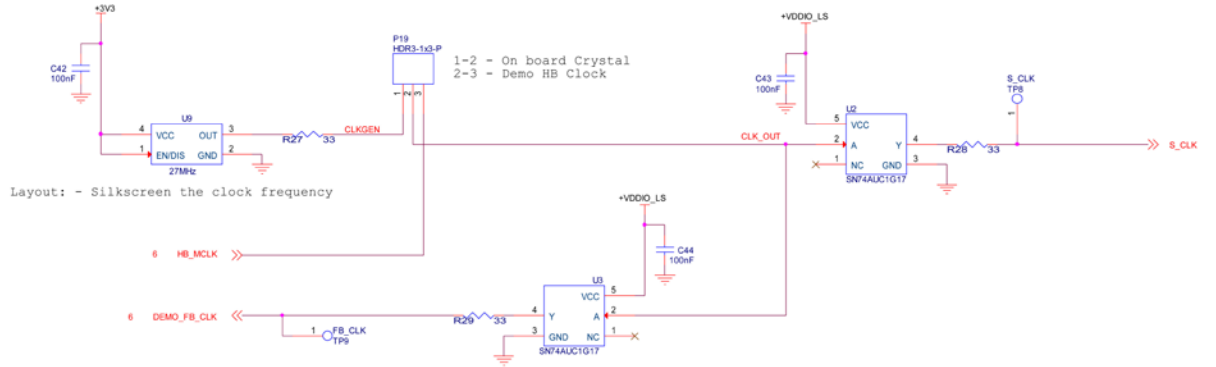
Mounting Holes



Clock and Reset



CLOCK CIRCUIT



RESET CIRCUIT

