



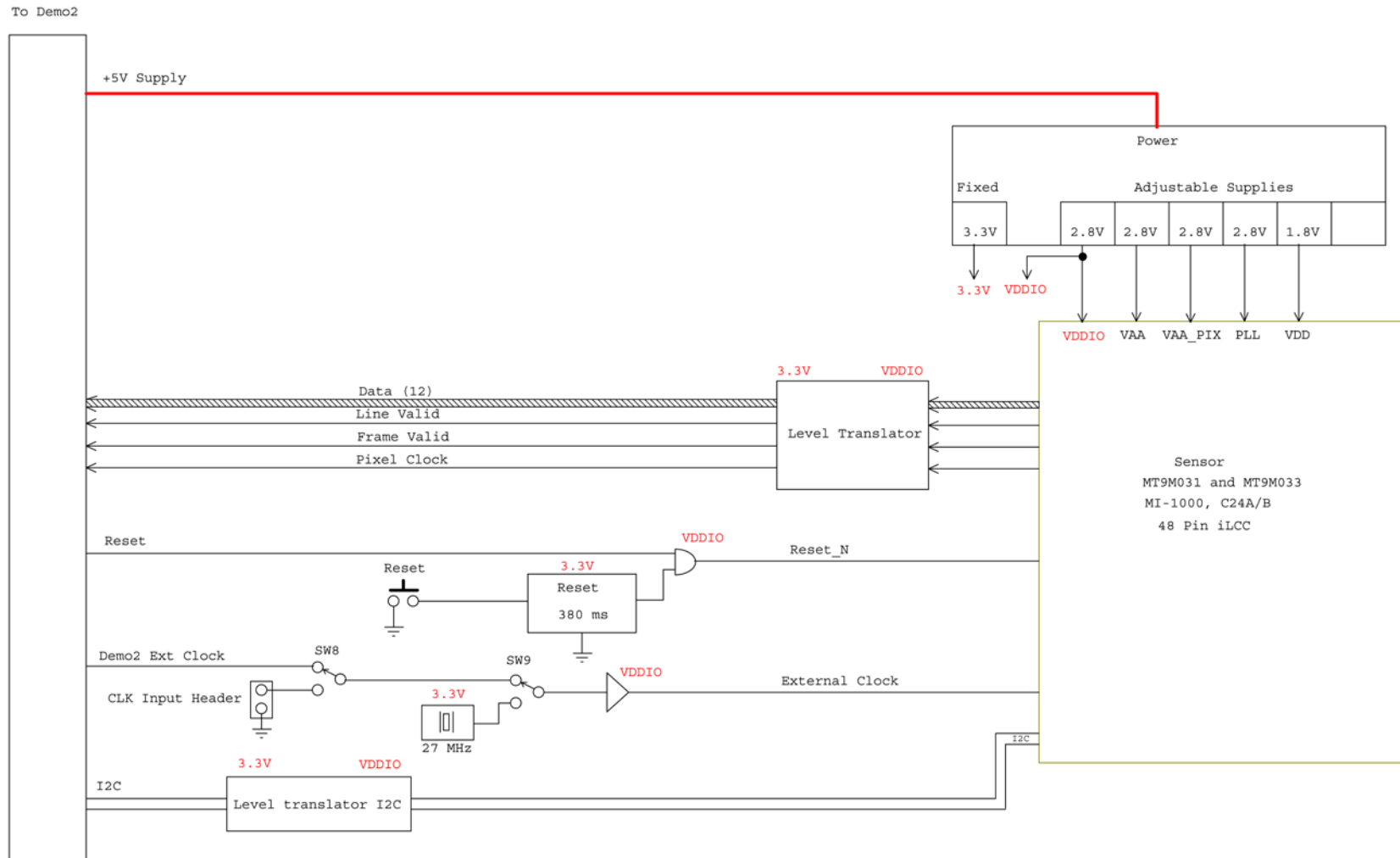
Schematic for the AR0130CSSC00SPCAH-S213A-GEVB Evaluation Board

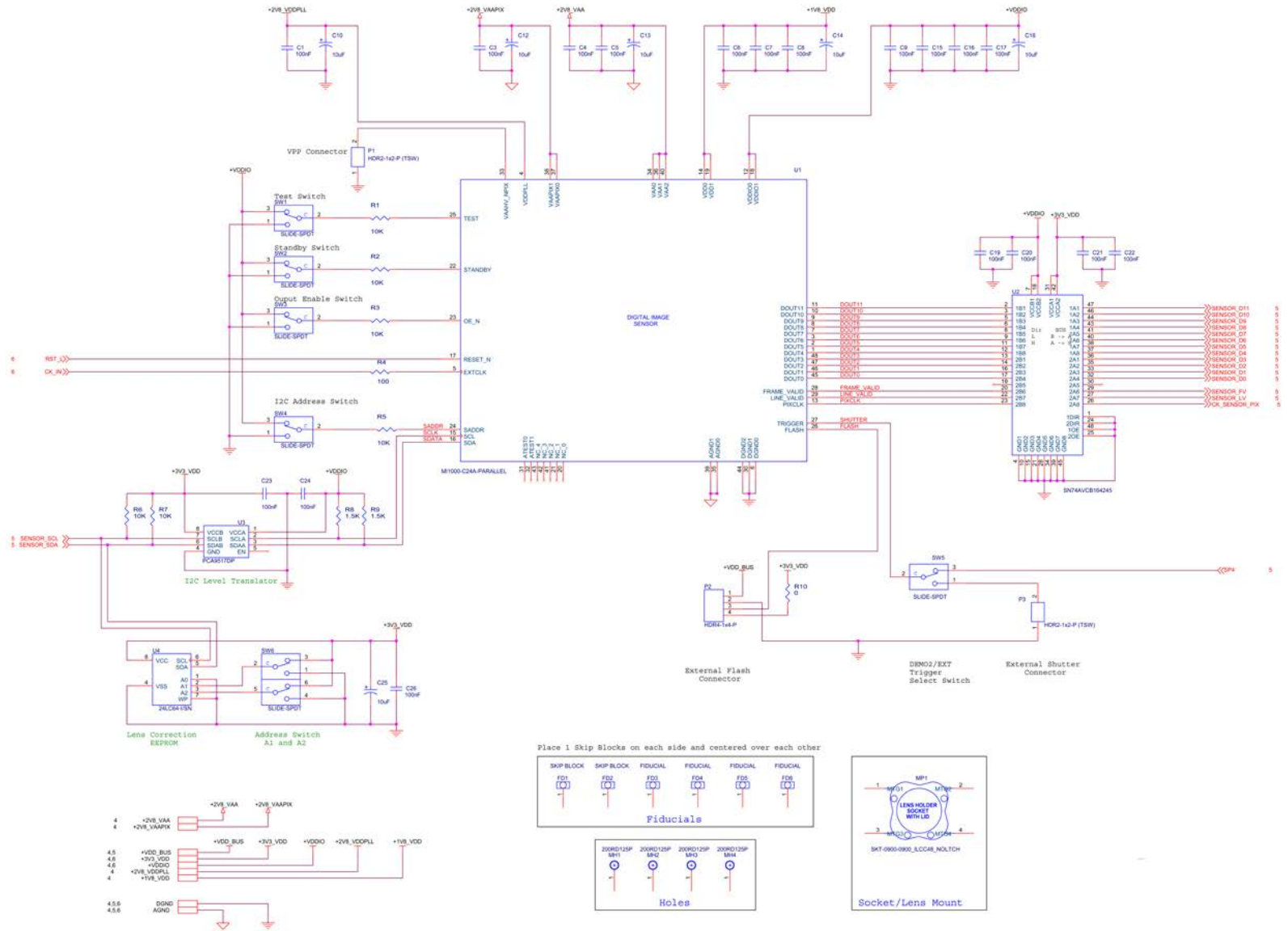
MT9M031 iLCC Parallel and MT9M033 iLCC Parallel

| Page | Description |
|------|--------------------|
| 1 | Title Page |
| 2 | Block Diagram |
| 3 | Sensor |
| 4 | Power Supply |
| 5 | External Interface |
| 6 | Clock and Reset |

| Rev | Who | Date | Description |
|-------|-----|------------|---------------|
| Rev 0 | PT | 04/20/2009 | First Release |
| | | | |
| | | | |
| | | | |
| | | | |

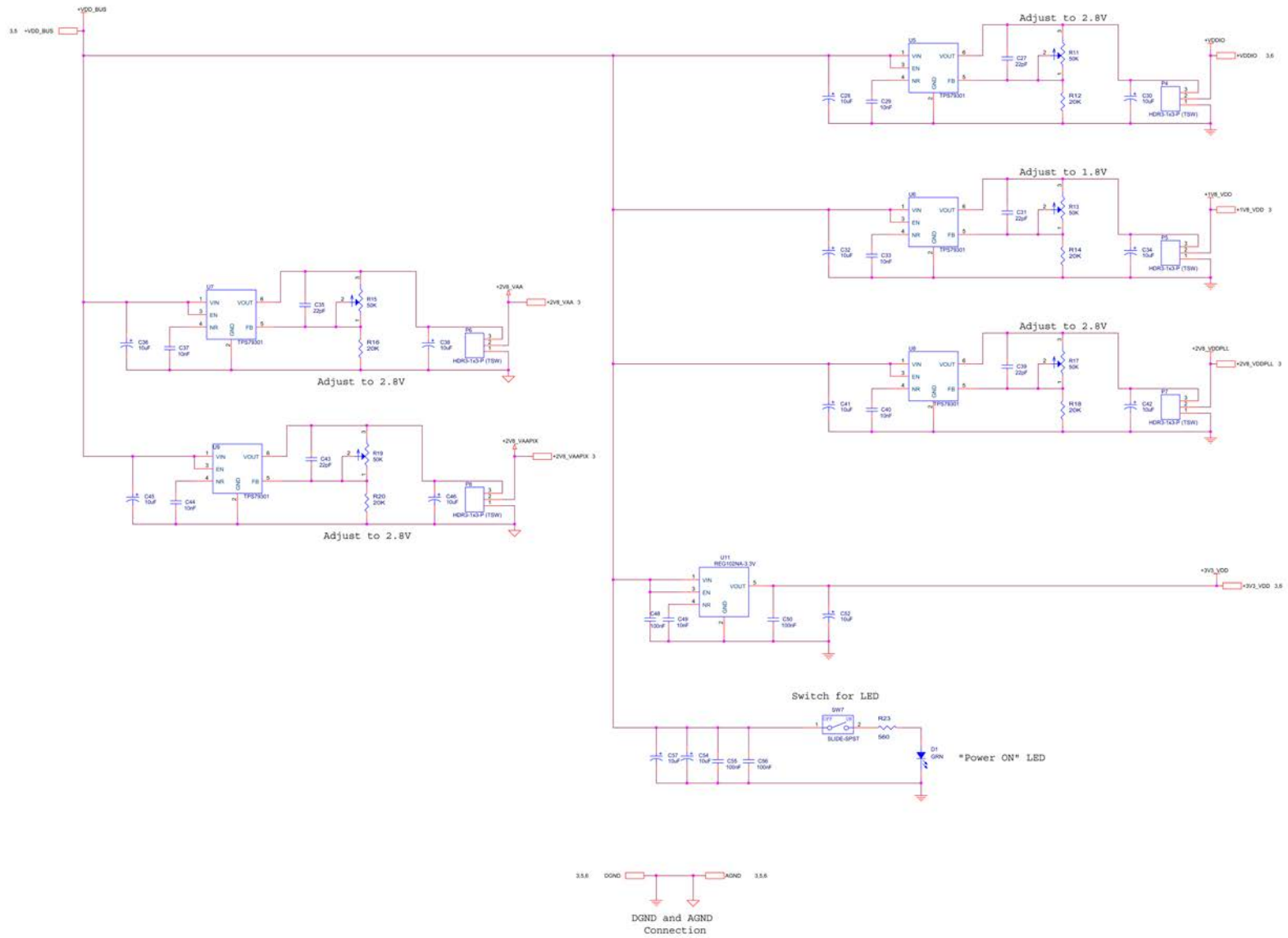
Block Diagram - MT9M031 ILCC and MT9M033 ILCC PARALLEL





Analog

Digital





Headboard Interface

