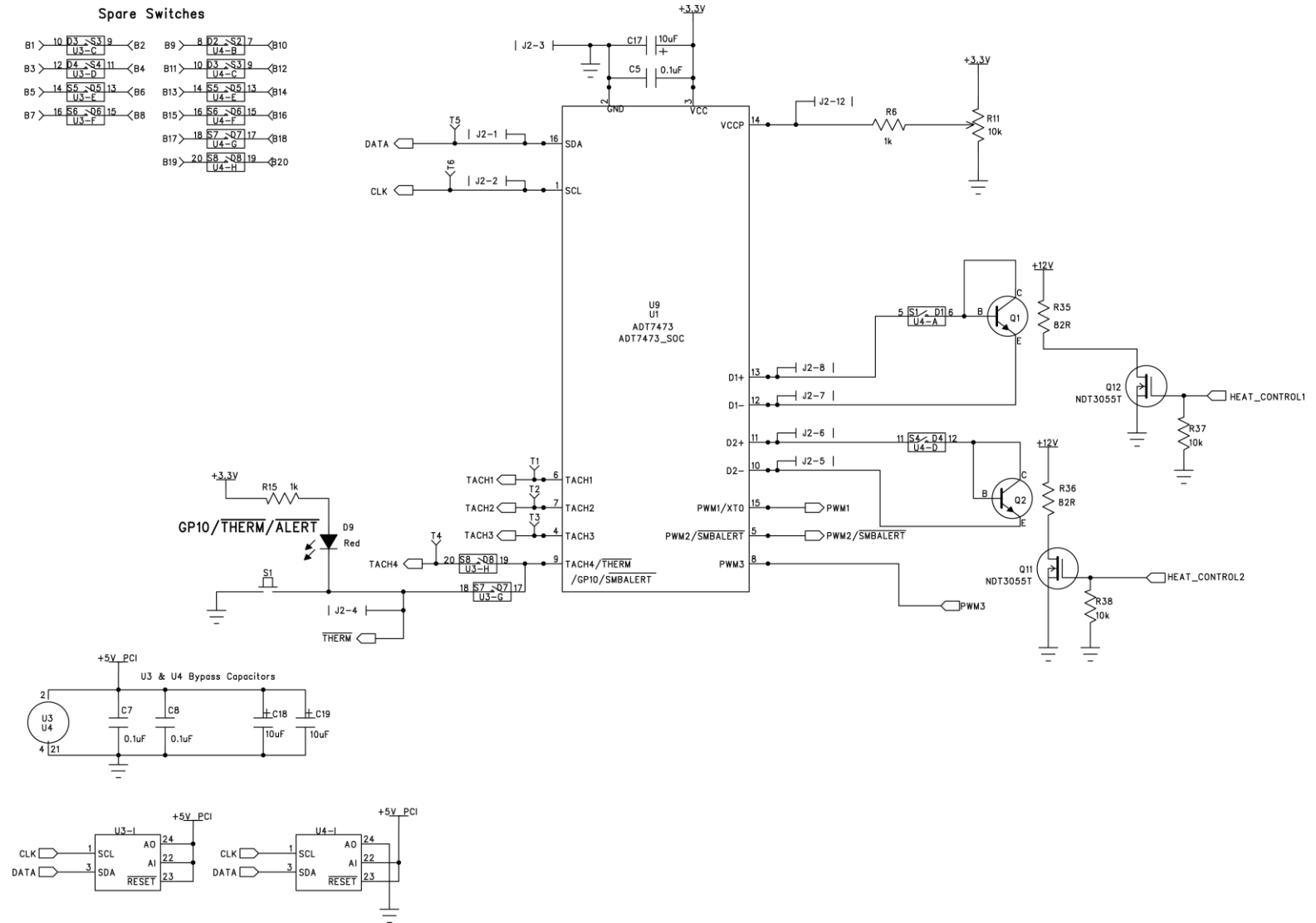
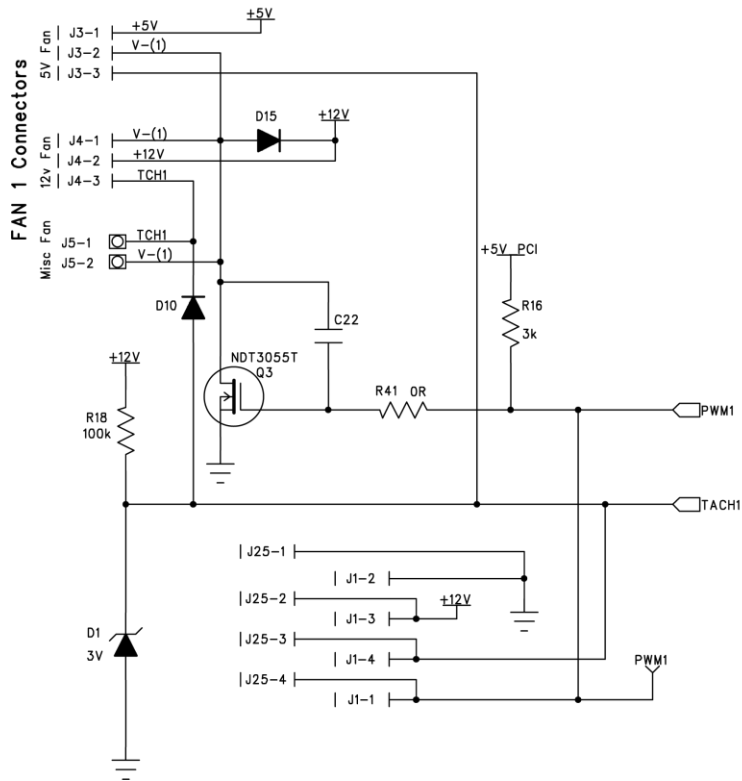


Schematic for the ADT7473EBZEV Evaluation Board

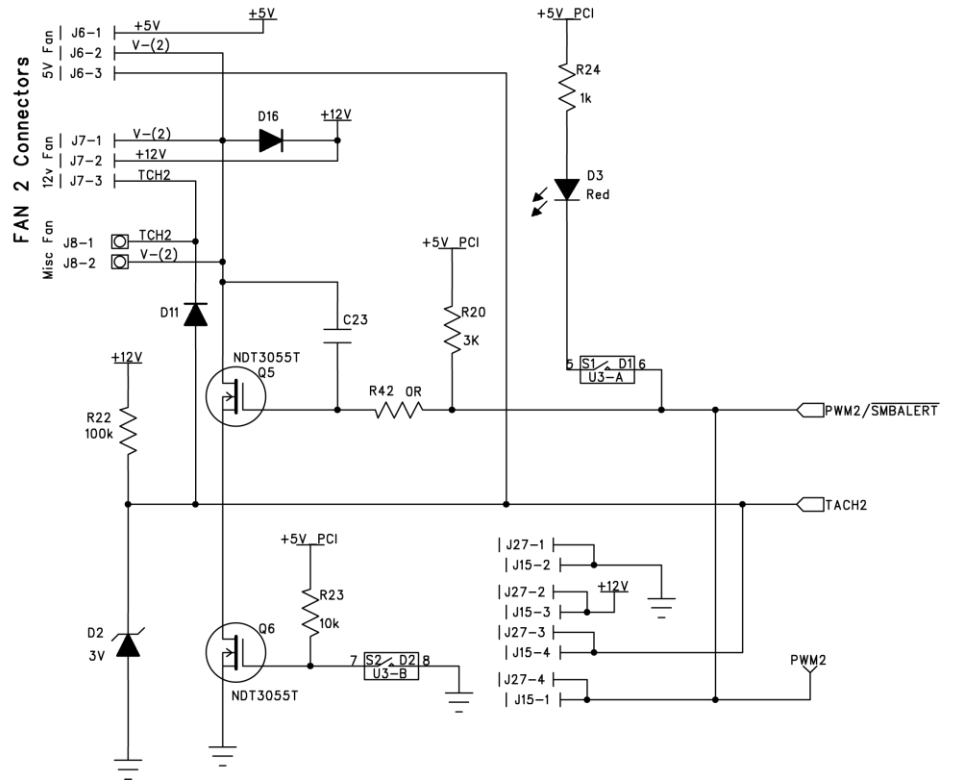




FAN 1 Drive Circuitry

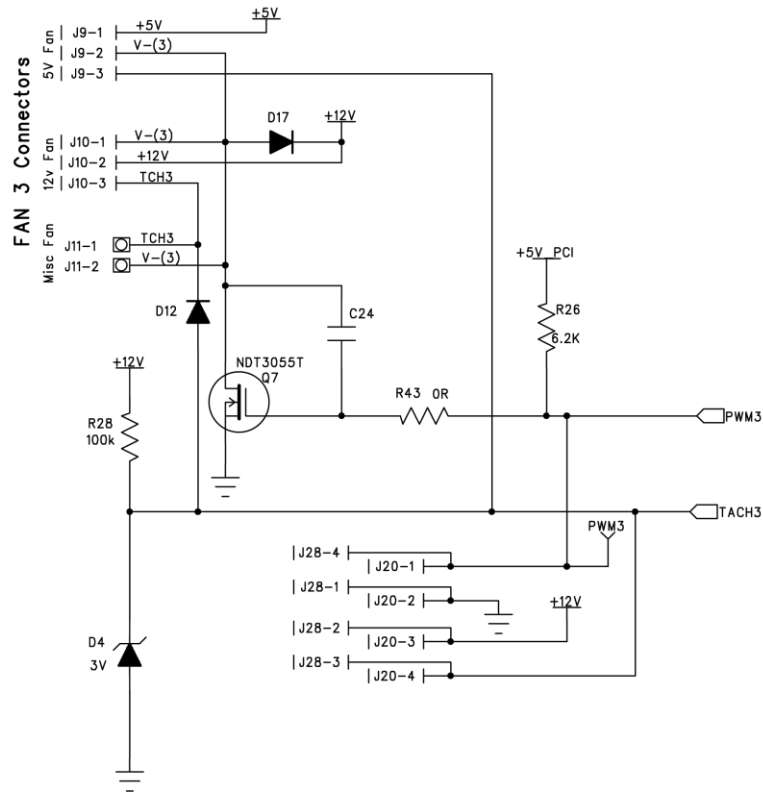


FAN 2 Drive Circuitry





FAN 3 Drive Circuitry



FAN 4 Drive Circuitry

