

User Guide for
FEBFAN25800_MPSLDO1
FEBFAN25800_MPSLDO2
FEBFAN25801_MPSLDO1
Evaluation Board

**500 mA Low- I_Q , Low-Noise,
LDO Regulator**

Featured Fairchild Product:
FAN25800, FAN25801
(FAN2580x)

*Direct questions or comments
about this evaluation board to:
“Worldwide Direct Support”*

Fairchild Semiconductor.com

Table of Contents

1. Introduction.....	3
2. Board Configuration	3
3. Schematic.....	4
4. Bill of Materials	5
5. Measurements	6
6. Post Regulation.....	7
7. Revision History	8

This user guide supports the evaluation kit for FAN2580x. It should be used in conjunction with the product datasheet as well as Fairchild’s application notes and technical support team. Please visit Fairchild’s website at www.fairchildsemi.com

1. Introduction

FAN2580x is a linear low-dropout (LDO) regulator with high PSRR and low output noise supported with controlled soft-start, thermal shutdown protection, and short-circuit protection. The enable-control pin can shutdown the device and disconnect the output load from the input. During shutdown, the supply current drops below 1 μ A. The LDO is designed to be stable with space-saving ceramic capacitors as small as 0201 case size.

Board Part Number	LDO Part Number	V _{IN} Range	V _{OUT}	I _{OUT} (Max.)
FEBFAN25800_MPSSLDO1	FAN25800AUC33X	2.3 V - 5.5 V	3.30 V	500 mA
FEBFAN25800_MPSSLDO2	FAN25800AUC28X	2.3 V - 5.5 V	2.80 V	250 mA
FEBFAN25801_MPSSLDO1	FAN25801AUC514X	2.3 V - 5.5 V	5.14 V	250 mA

2. Board Configuration

The FAN2580xUCX (WLCSP) evaluation board is shown in Figure 1.

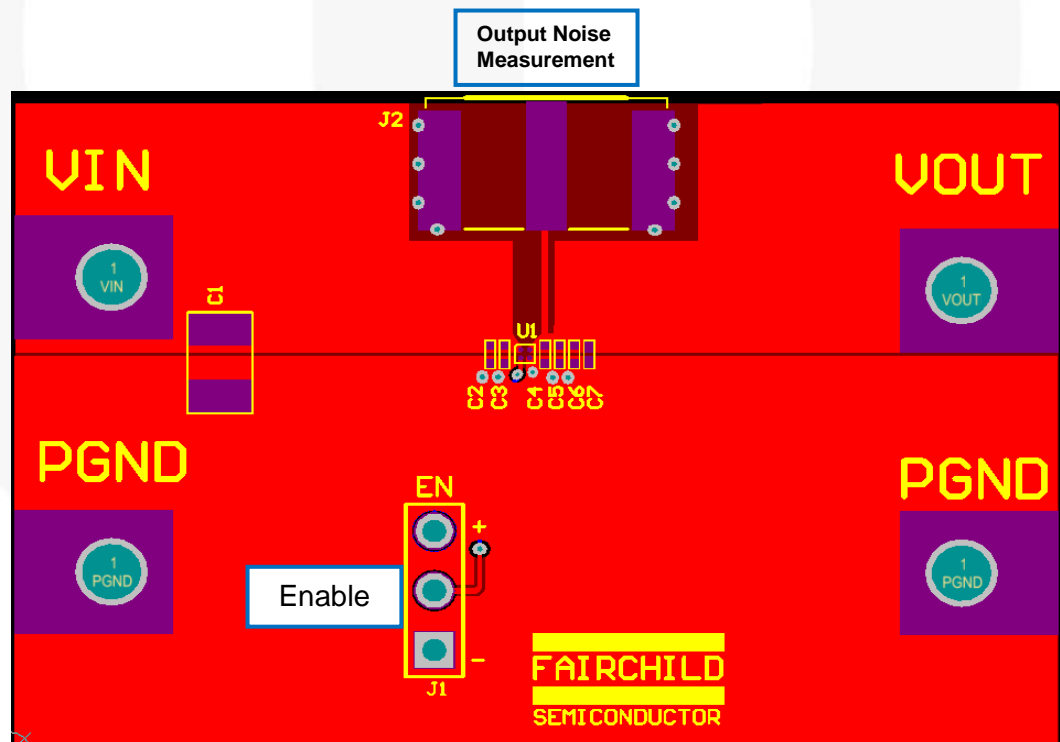


Figure 1. Top Layer

3. Schematic

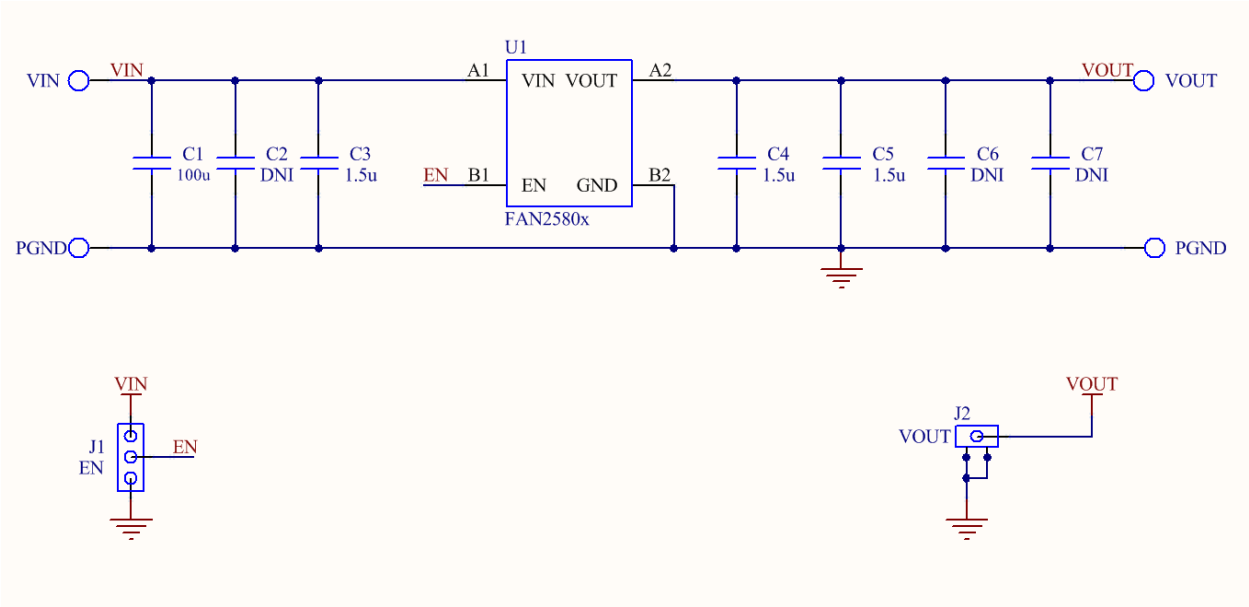


Figure 2. Evaluation Board Schematic

The input capacitor (C_3) is $1.5 \mu\text{F}$ and the two output capacitors (C_4 and C_5) are $2 \times 1.5 \mu\text{F}$ (option for additional capacitors are available on the PCB.) The FAN2580x can be stable with $C_3 = C_4 = C_5 = 1 \mu\text{F}$ (0201). C_1 is available to place a $100 \mu\text{F}$ ceramic capacitor (1210), recommended to reduce noise from the inductance from long wires in a setup.

4. Bill of Materials

REF	QTY	Description	Manufacturer / Part Number
U1	1	IC, FAN2580x, WLCSP-4	Fairchild / FAN25800AUC33X Fairchild / FAN25800AUC28X Fairchild / FAN25801UC514X
C3	1	1.5 µf, 6.3 V, 20%, X5R, 0201	Murata / GRM033R60J155M
C4, C5	2	1.5 µf, 6.3 V, 20%, X5R, 0201	Murata / GRM033R60J155M
C1	1	100 µf, 6.3 V, 20%, X5R, 1210	TDK / C3225X5R0J107M250AC
			Taiyo Yuden / JMK325ABJ107MM-T
J1	1	3x1 Header Strip, 125C	Digi-Key / SAM1098-03
J2	1	Conn, SMA	Amphenol / 132255
			Digi-Key / ACX1424
Turret	4	VIN, VOUT, PGND, PGND	Digi-Key / 1502-2K-ND
Black Banana Connector	2	PGND, PGND	Digi-Key / J152-ND
Red Banana Connector	2	VIN, VOUT	Digi-Key / J151-ND
TOTAL	15		

5. Measurements

V_{IN} and V_{OUT} measurements should be made using the voltage test points (turrets posts). These “sense points” eliminate errors caused by voltage drops through Ammeters and test leads. Figure 3 depicts a typical test configuration.

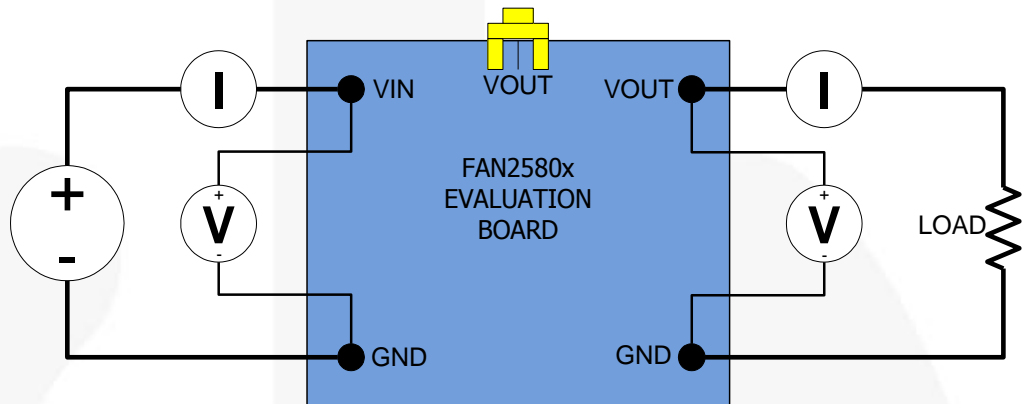


Figure 3. DC Measurement Configuration

An SMA connector is soldered to J2 (see Figure 1), which is then connected to the spectrum analyzer. A DC block can be connected between V_{OUT} and the spectrum analyzer to measure output noise or PSRR.

Table 1. Signal Table

Signal	Level
ENABLE	LOW = 0 V = DISABLE HIGH > 1.2 V = ENABLE

The enable-control pin (ENABLE) is pulled HIGH or LOW by the associated jumper. It is recommended to drive the ENABLE pin with a separate power supply (DC voltage = 1.8 V), but the pin can also be tied to V_{IN} .

6. Post Regulation

Due to its high PSRR and low output noise, the FAN2580x can be used as a post-DC-DC regulator to reduce the output ripple and output noise at high efficiency for noise-sensitive applications. The following shows post-DC-DC regulation of an LDO with a buck converter. The capacitor on the output of the buck converter can be shared by the LDO as its input capacitor.

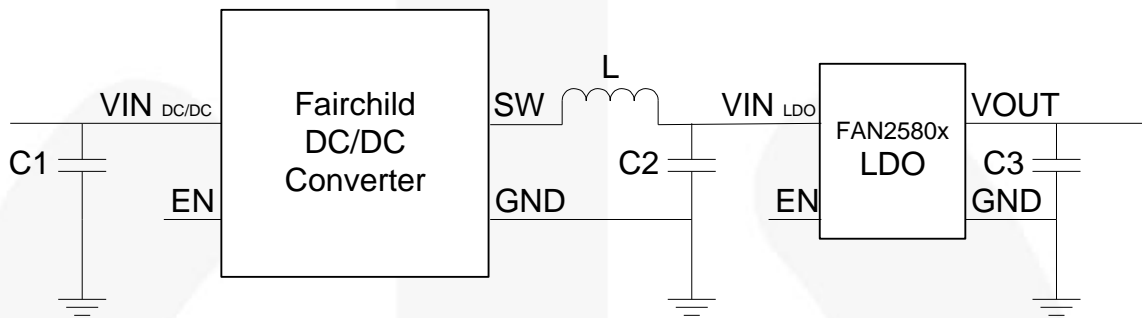


Figure 4. Post DC-DC Regulation



7. Revision History

Rev.	Date	Description
1.0.0	February 2014	Initial Release
1.0.3	April 2014	Update to include three board options
1.2	February 2015	Updated Links

WARNING AND DISCLAIMER

Replace components on the Evaluation Board only with those parts shown on the parts list (or Bill of Materials) in the Users' Guide. Contact an authorized Fairchild representative with any questions.

This board is intended to be used by certified professionals, in a lab environment, following proper safety procedures. Use at your own risk. The Evaluation board (or kit) is for demonstration purposes only and neither the Board nor this User's Guide constitute a sales contract or create any kind of warranty, whether express or implied, as to the applications or products involved. Fairchild warrants that its products meet Fairchild's published specifications, but does not guarantee that its products work in any specific application. Fairchild reserves the right to make changes without notice to any products described herein to improve reliability, function, or design. Either the applicable sales contract signed by Fairchild and Buyer or, if no contract exists, Fairchild's standard Terms and Conditions on the back of Fairchild invoices, govern the terms of sale of the products described herein.

DISCLAIMER

FAIRCHILD SEMICONDUCTOR RESERVES THE RIGHT TO MAKE CHANGES WITHOUT FURTHER NOTICE TO ANY PRODUCTS HEREIN TO IMPROVE RELIABILITY, FUNCTION, OR DESIGN. FAIRCHILD DOES NOT ASSUME ANY LIABILITY ARISING OUT OF THE APPLICATION OR USE OF ANY PRODUCT OR CIRCUIT DESCRIBED HEREIN; NEITHER DOES IT CONVEY ANY LICENSE UNDER ITS PATENT RIGHTS, NOR THE RIGHTS OF OTHERS.

LIFE SUPPORT POLICY

FAIRCHILD'S PRODUCTS ARE NOT AUTHORIZED FOR USE AS CRITICAL COMPONENTS IN LIFE SUPPORT DEVICES OR SYSTEMS WITHOUT THE EXPRESS WRITTEN APPROVAL OF THE PRESIDENT OF FAIRCHILD SEMICONDUCTOR CORPORATION.

As used herein:

1. Life support devices or systems are devices or systems which, (a) are intended for surgical implant into the body, or (b) support or sustain life, or (c) whose failure to perform when properly used in accordance with instructions for use provided in the labeling, can be reasonably expected to result in significant injury to the user.
2. A critical component is any component of a life support device or system whose failure to perform can be reasonably expected to cause the failure of the life support device or system, or to affect its safety or effectiveness.

ANTI-COUNTERFEITING POLICY

Fairchild Semiconductor Corporation's Anti-Counterfeiting Policy. Fairchild's Anti-Counterfeiting Policy is also stated on our external website, www.fairchildsemi.com, under Sales Support.

Counterfeiting of semiconductor parts is a growing problem in the industry. All manufacturers of semiconductor products are experiencing counterfeiting of their parts. Customers who inadvertently purchase counterfeit parts experience many problems such as loss of brand reputation, substandard performance, failed applications, and increased cost of production and manufacturing delays. Fairchild is taking strong measures to protect ourselves and our customers from the proliferation of counterfeit parts. Fairchild strongly encourages customers to purchase Fairchild parts either directly from Fairchild or from Authorized Fairchild Distributors who are listed by country on our web page cited above. Products customers buy either from Fairchild directly or from Authorized Fairchild Distributors are genuine parts, have full traceability, meet Fairchild's quality standards for handling and storage and provide access to Fairchild's full range of up-to-date technical and product information. Fairchild and our Authorized Distributors will stand behind all warranties and will appropriately address any warranty issues that may arise. Fairchild will not provide any warranty coverage or other assistance for parts bought from Unauthorized Sources. Fairchild is committed to combat this global problem and encourage our customers to do their part in stopping this practice by buying direct or from authorized distributors.

EXPORT COMPLIANCE STATEMENT

These commodities, technology, or software were exported from the United States in accordance with the Export Administration Regulations for the ultimate destination listed on the commercial invoice. Diversion contrary to U.S. law is prohibited.

U.S. origin products and products made with U.S. origin technology are subject to U.S. Re-export laws. In the event of re-export, the user will be responsible to ensure the appropriate U.S. export regulations are followed.