

NB3H5150MNGEVB

NB3H5150MNG Evaluation Board User's Manual



ON Semiconductor®

www.onsemi.com

Introduction

The NB3H5150MNGEVB evaluation board was developed to provide a flexible and convenient platform to quickly evaluate and verify the operation of the NB3H5150.

This evaluation board manual contains:

- Information on the NB3H5150 Evaluation Board
- Assembly Instructions
- Test and Measurement Setup Procedures
- Board Schematic and Bill of Materials

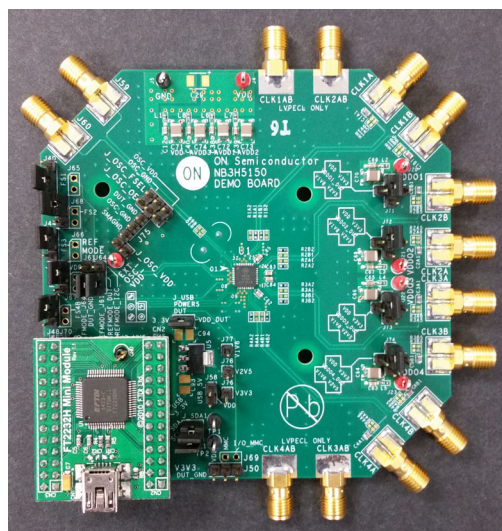
Board Features

- Accommodates the Electrical Evaluation of the NB3H5150
- Incorporates On-Board I²C/SMBus Interface Module Powered via a USB Connection, Minimizing Cabling
- 25 MHz Crystal is Installed (Default Input)
- Differential Inputs/Outputs Signals are Accessed via SMA Connectors or High Impedance Probes
- LVPECL Outputs are DC Loaded and Terminated. Signals then Go through 2:1 Baluns for Direct Connection into Phase Noise Analyzer or High-Z Scope
- LVCMOS Outputs are Series Terminated and Cap Loaded
- Flexible Power Supply Combinations for Device Operation
- Pin-Strap Mode Frequency Select Jumpers
- Convenient and Compact Board Layout

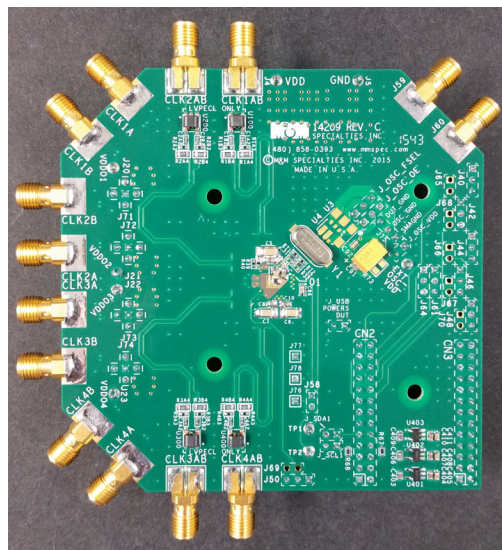
Board must be configured before powering up.

This manual should be used in conjunction with the device data sheet which contains full technical details on the device specifications and operation.

EVAL BOARD USER'S MANUAL



Top View



Bottom View

Figure 1. NB3H5150MNGEVB Evaluation Board

NB3H5150MNGEVB

NB3H5150MNG EVALUATION BOARD – BOARD LAYOUT MAP

Figures 2 & 3 illustrate the locations of major features and components of the NB3H5150MNGEVB. The proceeding

information in this manual will guide the user how to properly configure the NB3H5150 for lab testing.

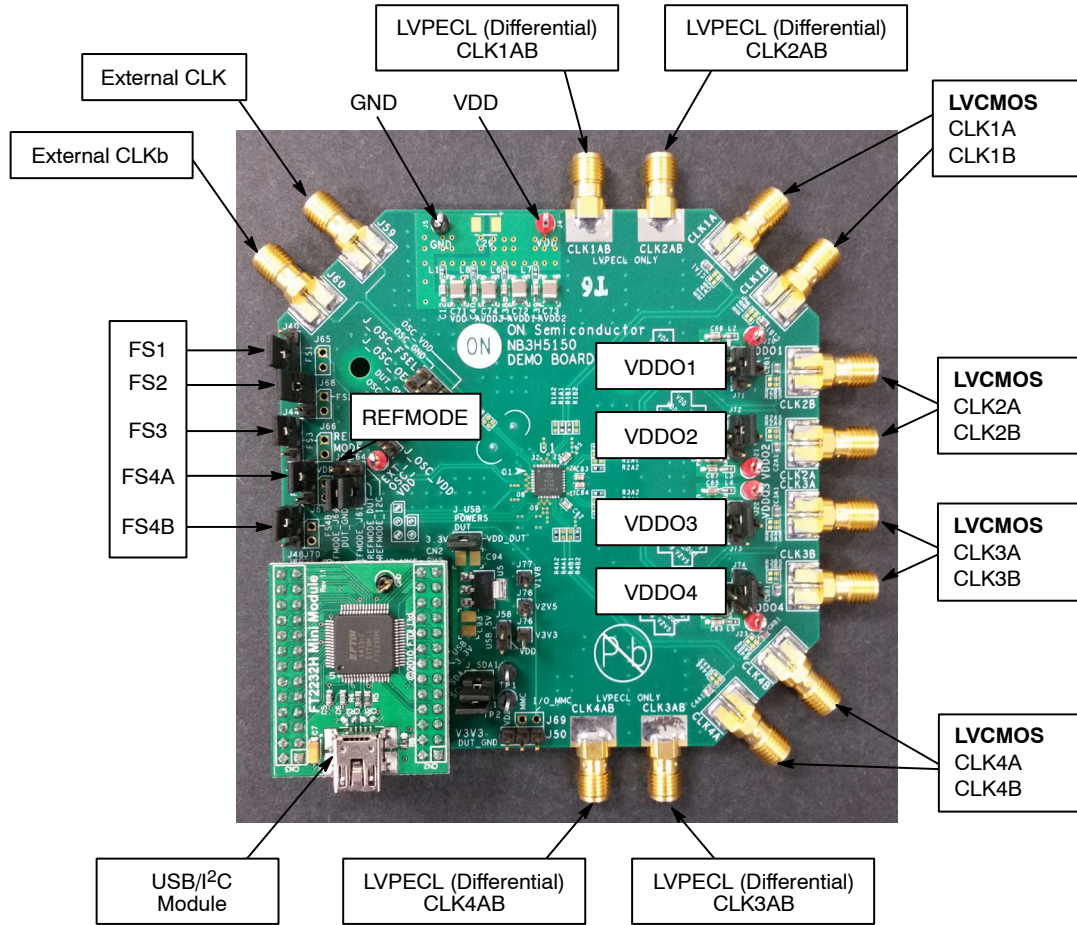


Figure 2. NB3H5150MNGEVB (Top View)

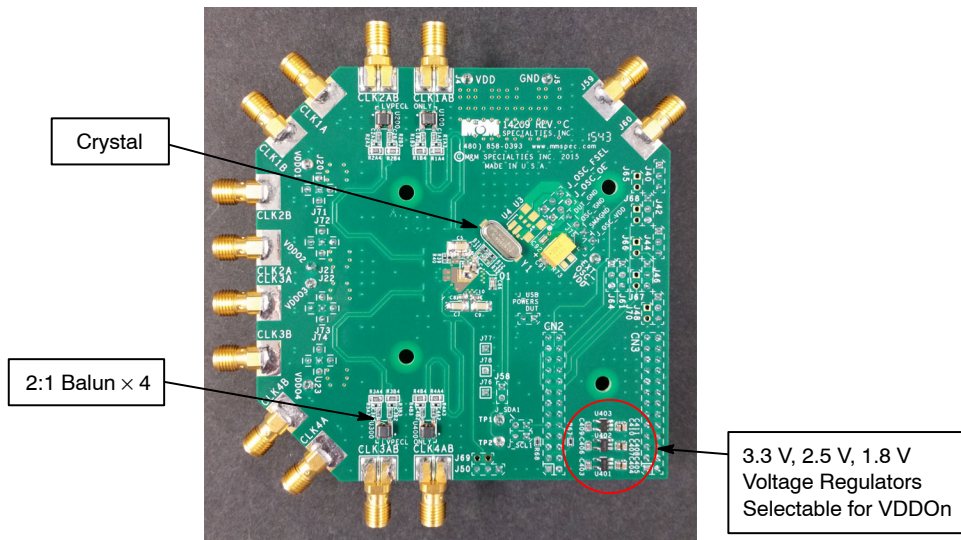


Figure 3. NB3H5150MNGEVB (Bottom View)

NB3H5150MNGEVB

STEP 1: POWER SUPPLY FOR EVB

The NB3H5150MNGEVB has the flexibility to be powered either with an external power supply or USB module. Table 1 describes Jumper Setting

J_USB_POWERS_DUT that allows for either configuration.

When USB Powers DUT, VDD = 3.3 V.

Table 1. NB3H5150MNGEVB DUT POWER JUMPER SETTINGS

DUT Power	J_USB_POWERS_DUT
External Power Supply	Remove Jumper
USB/I ² C Module	Install Jumper

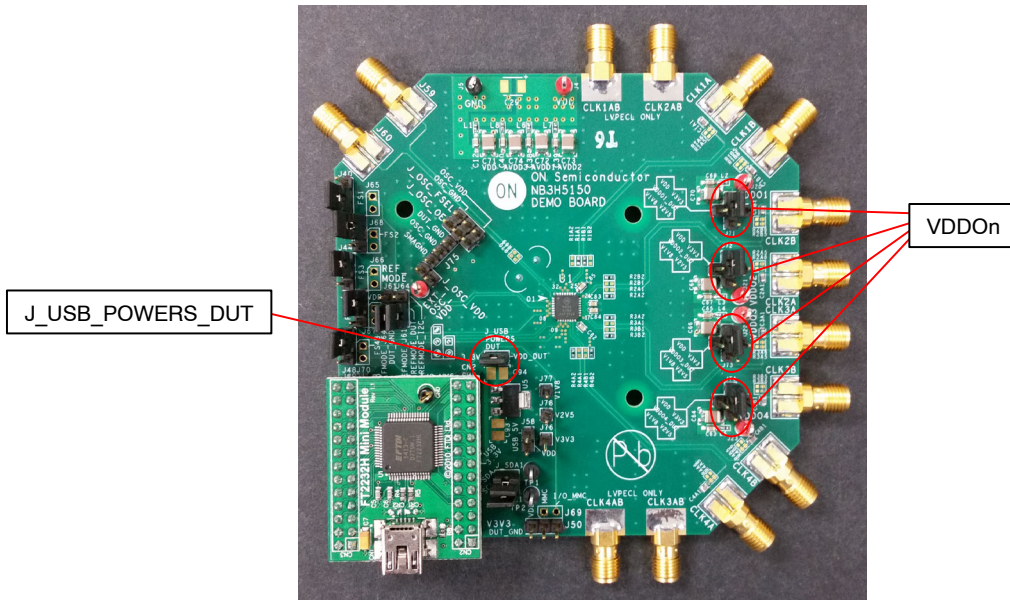


Figure 4. J_USB_POWERS_DUT Board Location

Power Supplies

VDD, AVDD1, AVDD2 and AVDD3 Power Pins

A single VDD test point connector is connected to the positive power supply and powers each of the VDD and AVDDn power supply pins.

VDDOn Power Pins

VDDOn pins can be powered individually:

1. An external power supply connected through J20, J21, J22 and J23. Remove jumpers J71, J72, J73 and J74.

2. VDD of the demo board using jumpers J71, J72, J73 and J74; VDDOn = VDD.
3. Three selectable regulators: **3.3 V** U401, **2.5 V** U402 and **1.8 V** U403, using jumpers J71, J72, J73 and J74; VDDOn = V_{REGULATOR}

NOTE: Figure 5 illustrates VDDOn jumper selection options.

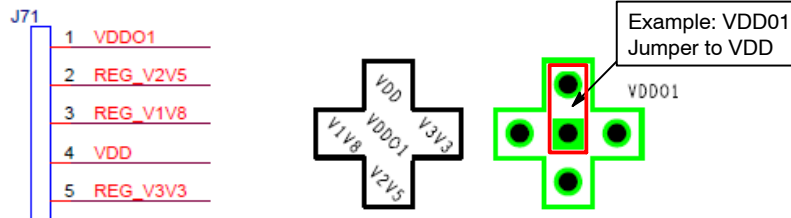


Figure 5. VDDOn Power Supply Options

NB3H5150MNGEVB

The NB3H5150MNGEVB provides three Voltage Regulators which can be used to power each VDDOn separately. To power these regulators, follow Table 2 for J58 configuration.

J58 enables the optional on-board VDDOn regulators when the device/board is powered by an external power supply.

- When J58 is open, the 3.3 V, 2.5 V and 1.8 V regulators for VDDOn are powered by the USB.
- When J58 is jumpered, the 3.3 V, 2.5 V and 1.8 V regulators are powered by the external VDD power supply.
- When VDD = 2.5 V, VDDOn can not be 3.3 V, only 2.5 V or 1.8 V.

Table 2. VDDO VOLTAGE REGULATOR POWER

J58 – VDDO Voltage Regulator Power		
VDDOn Voltage Regulator Power	USB/I ² C Module	J58
VDD	Do Not Install	Use Jumper
USB/I ² C Module	Install	No Jumper

NOTE: All four VDDOn pins must be connected to a power supply **before** power-up.

CAUTION: Neglecting Table 2 configurations may cause damage to USB/I²C module.

NB3H5150MNGEVB

STEP 2: INPUT CLOCK REFERENCE FOR EVB

The NB3H5150MNGEVB has the flexibility to accept multiple input clock references, such as: Crystal (mounted on board), Crystal Oscillator, Signal Generator, or separate

clock integrated circuit. Table 3 describes Jumper Settings J64 & J61 that allows for appropriate configuration.

Table 3. INPUT CLOCK REFERENCE SETTINGS

Input Clock	REFMODE	
	J61	J64
Crystal	Low	Position 2 & 3 Jumpered
XO	High	Position 2 & 3 Jumpered
Signal Generator	High	Position 2 & 3 Jumpered
IC	High	Position 2 & 3 Jumpered

NOTES: **To use Crystal** – Install R71, R72, C31 & C32 C_{LOAD} Capacitors; Remove R69, R70, R31 & R32
To use XO – Install R69 & R70; Remove R71, R72, R31 & R32
To use Signal Generator – Install R69, R70, R31, & R32; Remove R71 & R72

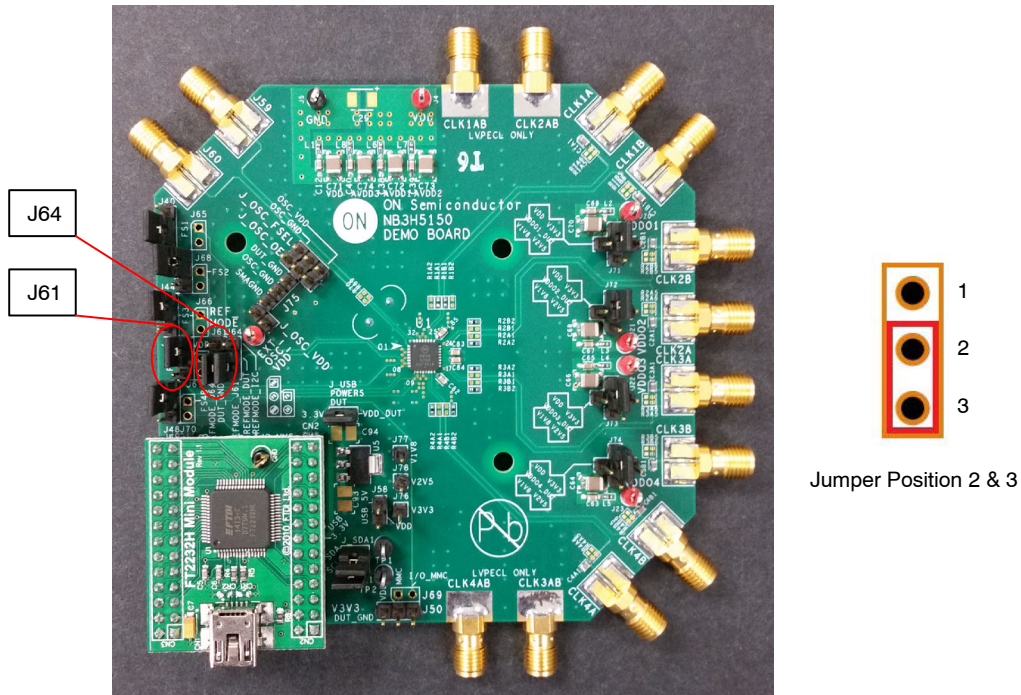


Figure 6. J61 & J64 Board Location

Crystal Input – (Default Set-Up)

1. Set REFMODE = Low
2. Y1, 25 MHz crystal is installed
3. R31 & R32 are removed; R69 & R70 are not installed.
4. R71 & R72 and C31 & C32 are installed (crystal load capacitors).

External Clock Source

1. Set REFMODE = High
2. Remove R71 & R72 and C31 & C32
3. R31 & R32 must be installed; and R69 & R70 must be installed.
4. R31 & R32 are 50-Ω to GND and are used to terminate an external signal generator.
5. If CLK_XTAL1 and CLKb_XTAL2 pins are driven by another IC device, remove R31 & R32.

NB3H5150MNGEVB

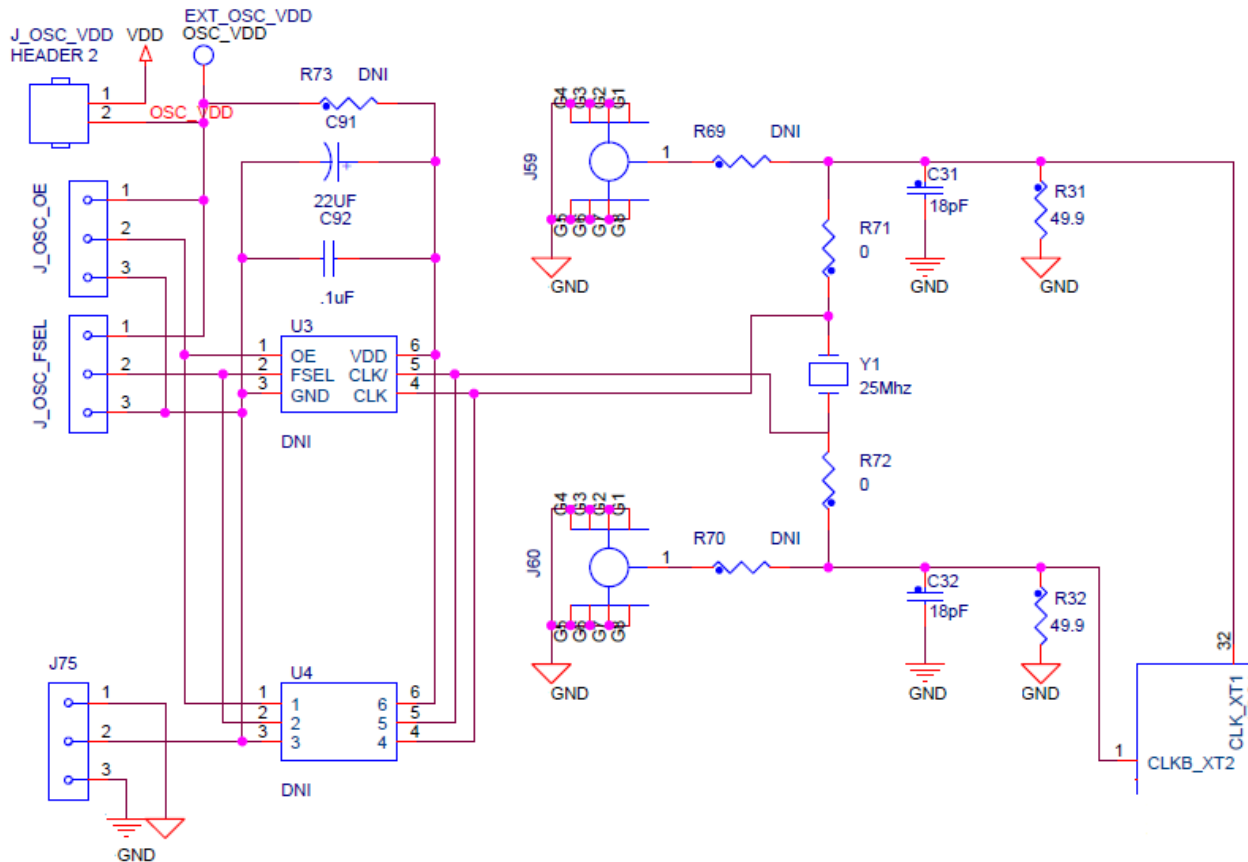


Figure 7. Crystal or External Clock Input Configuration Schematic

External Crystal Oscillator

The NB3H5150MNGEVB has features to use a 4 or 6-pin XO, U3, in either a 5×7 mm or 3.2×5 mm package.

1. The XO can be powered separately by:
 - a. VDD of the demo board; connect J_OSC_VDD HEADER 2
 - b. An external VDD power supply; connect EXT_OSC_VDD at OSC_VDD.
2. Connect jumper at J75 for the XO GND pin.
3. In either option, install R73, 0- Ω , to power the XO.
4. C91 & C92 are bypass capacitors for the XO VDD power pin and are installed.
5. If using an XO, J_OSC_OE jumper header will control the OE function of the XO, and J_OSC_FSEL will control the frequency select option of the XO, if needed.

Also, a crystal in a 4-pin package can be installed over the XO footprint.

Signal Generator

1. Select Clock Input:
 - a. Differential Input

- i. Connect a signal generator to the J59 & J60 SMA connectors for the CLK_XTAL1 & CLKb_XTAL2 inputs.
- ii. Set appropriate input signal levels.
- iii. Install 50- Ω termination resistors at R31 & R32 for a signal generator termination.
- iv. Remove C31 & C32. Install R69 & R70.
- b. Single-Ended Input:
 - i. Connect a signal generator to the J59 SMA connectors for the CLK_XTAL1 input.
 - ii. Ground CLKb_XTAL2.
 - iii. Set appropriate input signal levels.
 - iv. Install 50- Ω termination resistor at R31 for a signal generator termination.
 - v. Remove C31 & C32. Install R69 & R70.
2. Set REFMODE = High
3. Connect Jumpers to J_SDA1 and J_SCL1.
 - a. This will connect SDA & SCL/PD to GND and set the NB3H5150 in Pin-Strap mode.
4. Connect the CLKnA and CLKnB outputs to the appropriate test instrument.
 - a. I.E. Oscilloscope, Phase Noise Analyzer, Frequency Counter, etc.

NB3H5150MNGEVB

REFMODE

When the REFMODE pin is Low, it selects a crystal for the input.

When the REFMODE pin is High, it selects an external differential or single-ended clock source for the input.

For manual control:

1. J64
 - a. Jumper across pins 2 & 3 to select manual control of REFMODE and then use J61.
2. J61
 - a. 1 & 2 = High (VDD) – For External Clock Source Input
 - b. 2 & 3 = Low (GND) – For Crystal Input

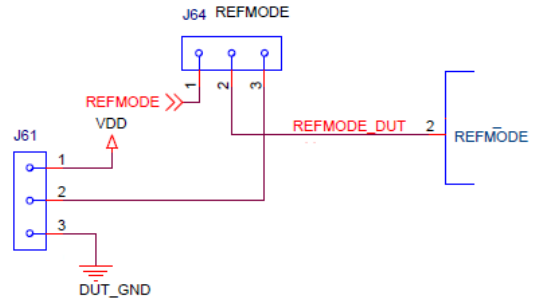


Figure 8. REFMODE Jumper Settings

NB3H5150MNGEVB

STEP 3: PIN-STRAP OR I²C MODE FOR EVB

The NB3H5150MNGEVB has the flexibility of two methods of selecting output frequencies and level types. Pin-Strap selections are limited to those described in data sheet. Refer to Tables 3 & 4 of data sheet for selectable frequencies and levels. While using I²C with provided USB

module and Software GUI, various frequency and level types' combinations can be generated. Table 4 describes Jumper Settings J_SDA1, JSCL1 that allow for appropriate configuration.

Table 4. PIN-STRAP OR I²C SETTINGS

Pin-Strap or I ² C Mode	J_SDA1 & J_SCL1
Pin-Strap	Install Jumper
I ² C	Remove Jumper

NOTE: For I²C Mode – Install the USB/I²C module and power-up with cable from PC, when VDD = 3.3 V.

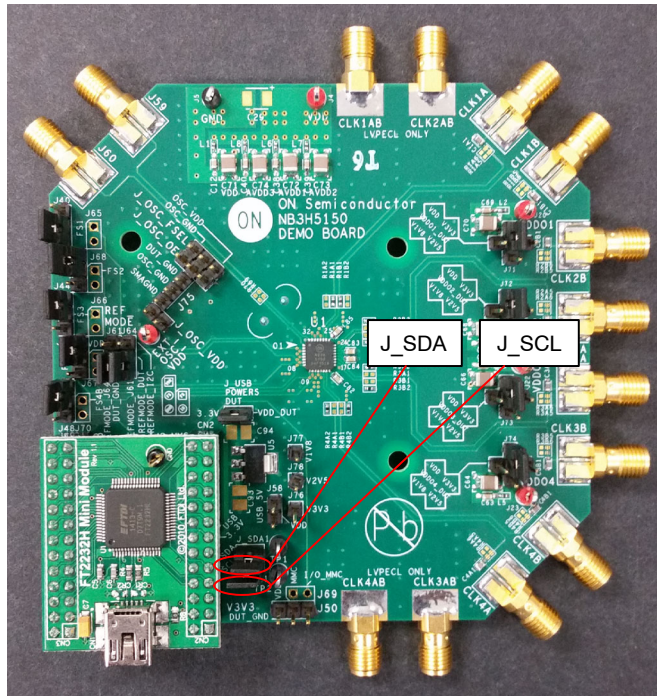


Figure 9. J_SDA, J_SCL Board Location

Pin-Strap Operation

1. Connect a jumper across J_SDA1 and J_SCL1.
 - a. This will connect both SDA and SCL/PD pins to GND.

I²C Operation

1. Remove jumpers from J_SDA1 and J_SCL1.
 - a. The powered I2C module will then connect both SDA and SCL/PD pins to VDD via pull-up resistors.

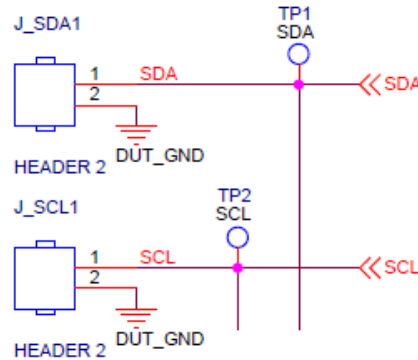


Figure 10. SDA and SCL/PD Jumper

NB3H5150MNGEVB

Control Pins

Each control pin can be managed manually with H/L jumper header; H = VDD, L = GND.

Tri-Level Input Pins – FSn – Frequency Select pins for CLK_n

The five tri-level input pins, FS1, FS2, FS3, FS4A and FS4B have selectable levels.

Reference Tables 3 & 4 of NB3H5150 data sheet for pin-strap frequency settings.

The logic levels for the FSn pins can be selected manually by using respective Jumpers.

Figure 11 is an example of control pin FS1 controlling logic levels for CLK1.

Jumper Levels

For a **HIGH** Level – Put Jumper to VDD

For a **LOW** Level – Put Jumper to GND

For a **Mid-Level** – No Jumper or left open; This will enable internal pull-up and pull-down circuits to default to mid-level logic.

FSn pins can also be controlled through the I²C and GUI. When controlling FSn pins via I²C, do not install jumpers on J65, J66, J67, J68, J69, J70.

Two-Level Input Pins – REFMODE, SDA, SCL/PD and MMC

The two-level input pins can also be controlled with H/L jumpers.

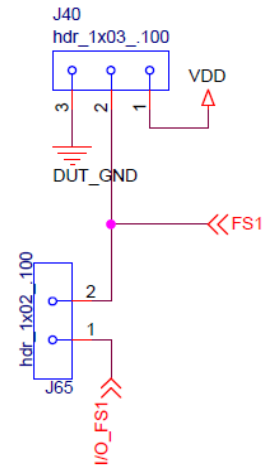


Figure 11. FS1 Jumper Setting

NB3H5150MNGEVB

STEP 4: OUTPUT LEVEL SELECTION FOR EVB

The NB3H5150MNGEVB has the flexibility of two output types (LVPECL & LVCMOS) across four output banks. Each output channel has the ability to drive LVCMOS and LVPECL levels. When evaluating LVCMOS, CLKnA & CLKnB are to be used. When

evaluating LVPECL, the NB3H5150MNGEVB has the ability to view signal differentially and single ended. The user must determine the output level and the respective CLKnA, CLKnB, and CLKnAB interface in order to configure the board correctly.

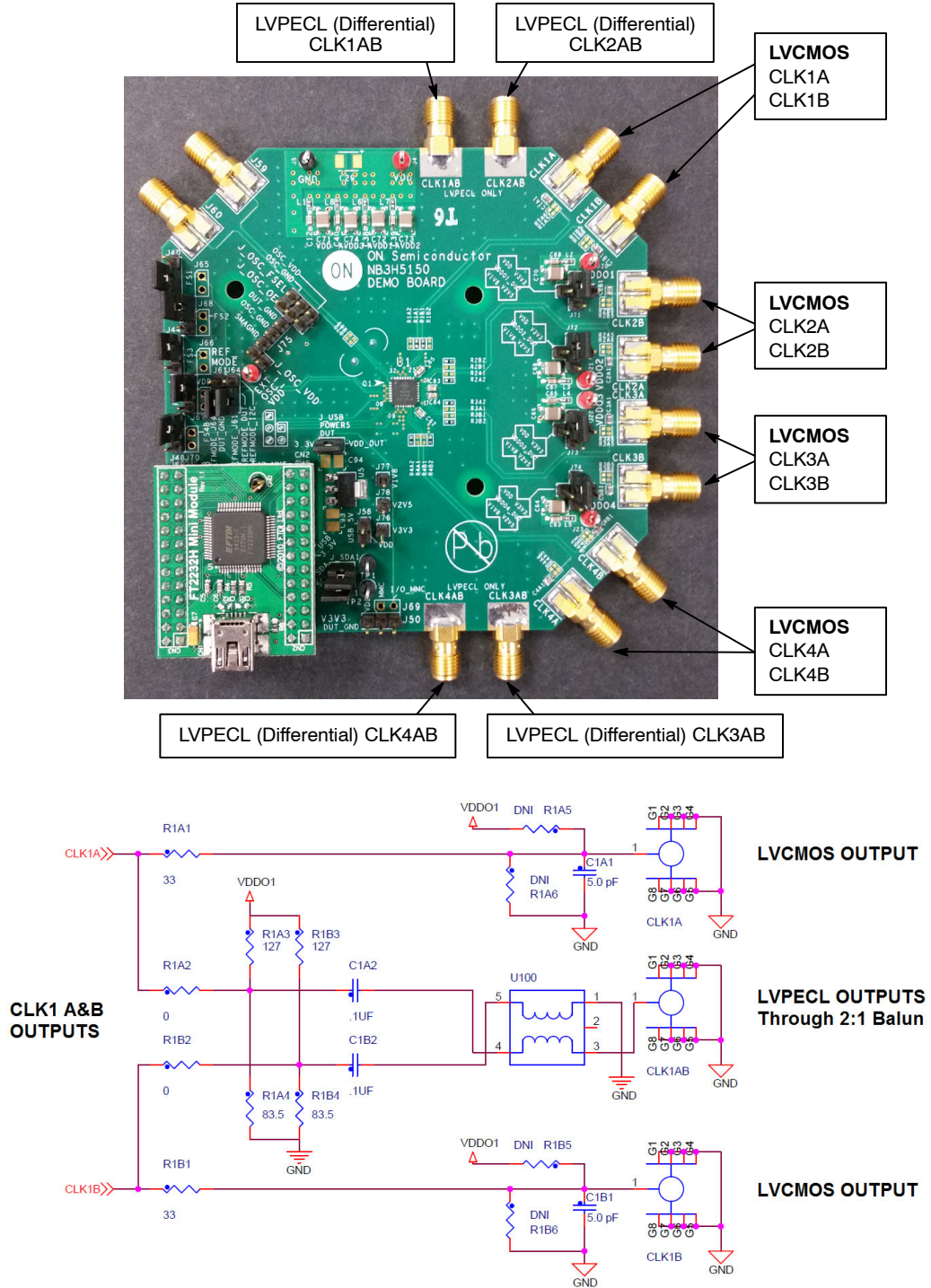


Figure 12. Output Selection Capabilities

CAUTION: *CLK1, CLK2, CLK3 & CLK4 pairs are configured as both LVCMOS and LVPECL outputs.

NB3H5150MNGEVB

The user must determine each output type and configure the outputs accordingly by removing the appropriate components to establish one signal output path.

LVC MOS Output Configuration – Remove R1A2 and R1B2; R1A1 and R1B1 remain installed; The LVC MOS outputs have provisions for a series R_S and a C_{Load} ; $R_S = 33\text{-}\Omega$ and $C_{Load} = 5\text{ pF}$ are installed.

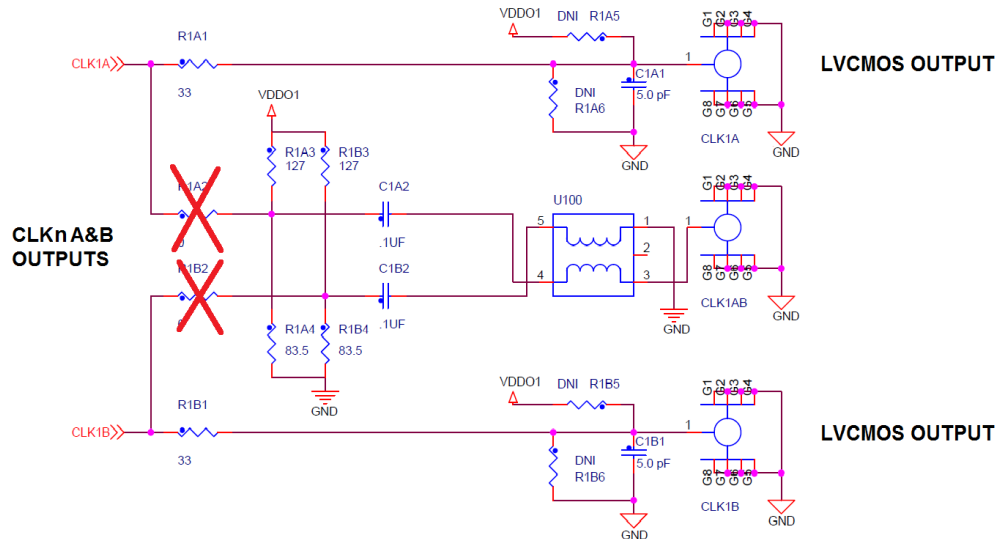


Figure 13. LVC MOS Output Configuration

LVPECL Output Configuration – Remove R1A1 and R1B1; R1A2 and R1B2 remain installed; R1A3 & R1A4 and

R1B3 & R1B4 are Thevenin equivalent DC load and AC termination resistors.

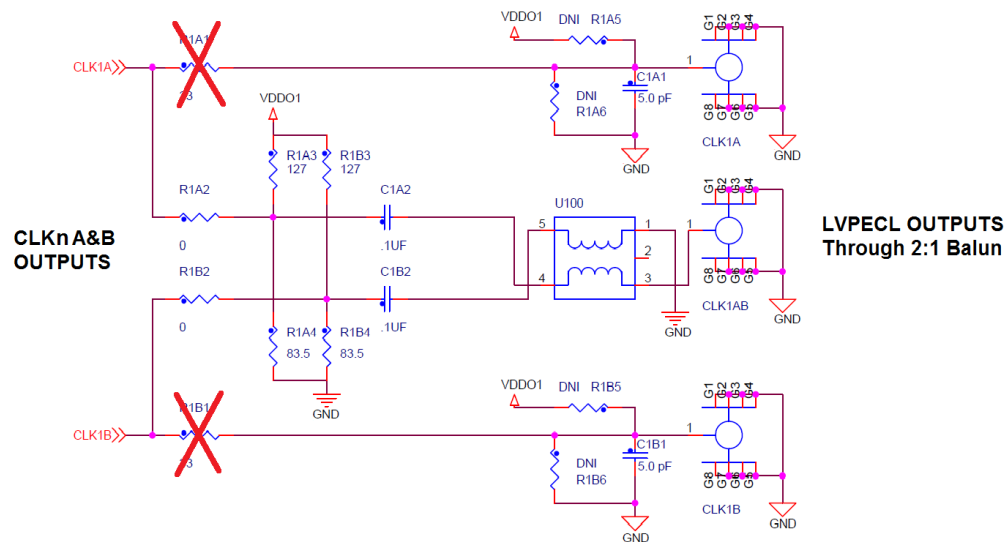


Figure 14. LVPECL Output Configuration

The differential LVPECL outputs are DC loaded and AC terminated with Thevenin resistors, capacitor-coupled into U100, a 2:1 balun which creates a true differential signal. This signal connects directly into a test instrument, primarily a phase noise analyzer, an oscilloscope with a high-Z probe, frequency counter, etc.

NOTES: In pin-strap mode, the NB3H5150 CLK1 defaults to LVC MOS only, and CLK2 defaults to LVPECL only. Therefore, on the EVB, remove the appropriate resistors such that CLK1A & CLK1B defaults to LVC MOS output configuration, and the CLK1AB SMA connector is open (Figure 13).

Use a high-Z probe on the two single-ended outputs. CLK2 defaults to differential LVPECL output configuration. Remove the appropriate resistors such that the CLK2AB SMA connector is used and CLK2A & CLK2B SMA connectors are open (Figure 14).

LVPECL Complementary Single Ended Output Configuration

The NB3H5150 EVB has the ability to observe LVPECL waveforms single-ended using the two separate options. Components will either need to be added or removed for appropriate configuration. The following describes the two options to view LVPECL as complementary single-ended waveforms.

Option 1

1. The LVPECL outputs can be observed at the Thevenin termination resistors, but C1A2 and C1B2 must be removed, as the cap-coupled balun will affect the signal at this node. Observe the two single-ended LVPECL outputs with Hi-Z probe at the nodes below with a high-Z probe.

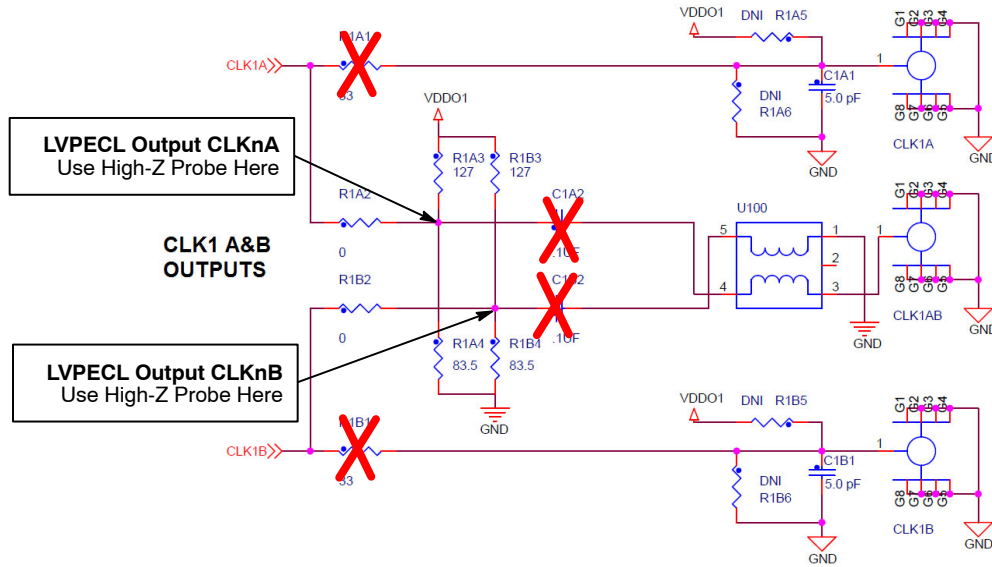


Figure 15. LVPECL Outputs – Optional Set-Up

Option 2

The LVPECL outputs can also be monitored by modifying a few board components: remove R1A2 & R1B2, Replace

R1A1 & R1B1 with 0-Ω resistors, remove 5-pF, install Thevenin resistors R1A5 & R1A6 and R1B5 & R1B6.

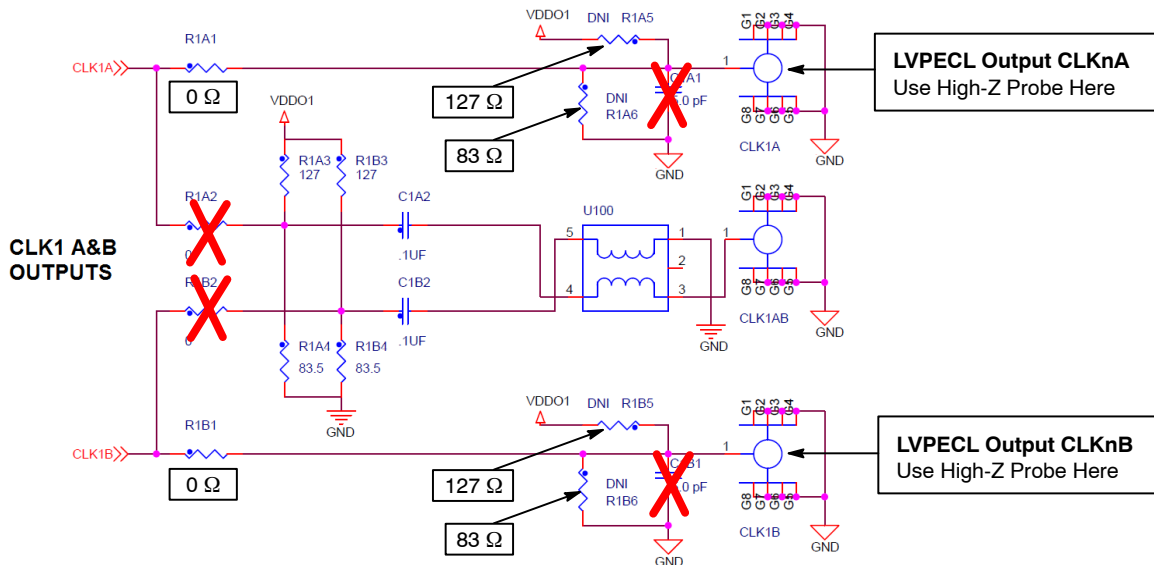


Figure 16. LVPECL Outputs – Optional Set-Up

NB3H5150MNGEVB

STEP 5: POWER SEQUENCE FOR EVB

The NB3H5150 EVB has the flexibility of being powered by two different methods; external power supply or via USB module connection.

External Power Supply

1. Connect power supply cables to VCC and GND connectors.
2. Configure board according to Steps 1 through 4.
3. Turn on VDD power supply
4. Monitor CLKnA & CLKnB outputs on oscilloscope or other test instrument.

USB Power Supply

1. Configure board according to Steps 1 through 4.
2. Connect USB cable to I2C Module
3. Monitor CLKnA & CLKnB outputs on oscilloscope or other test instrument.

***When using an external clock source, board must be powered first.**

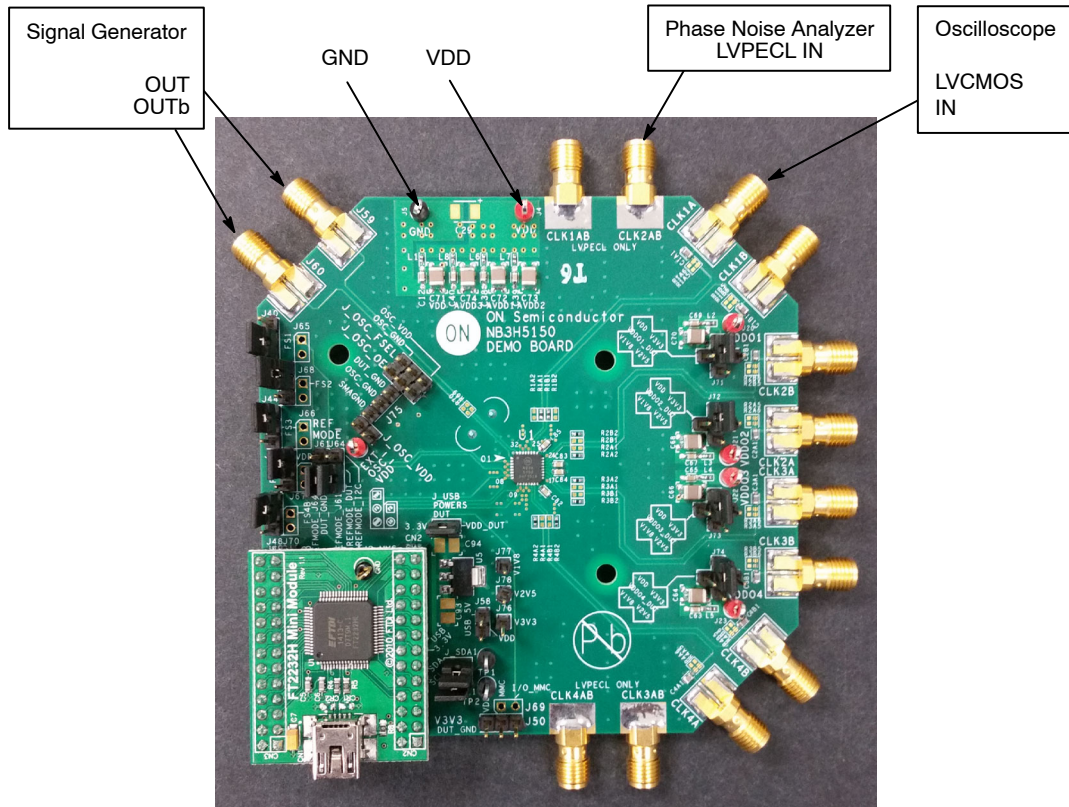


Figure 17. Power Sequence Diagram

Graphical User Interface (GUI)

There is a stand-alone Graphical User Interface software package and GUI user's manual that will interface with the DUT via the USB connector.

USB & I²C/SMBus Interface

The NB3H5150 EVB has an on-board I²C/SMBus interface module located in the lower left section of the board.

This circuitry will interface the device with the GUI software via the SDA and SCL/PD input pins. The GUI can control the Frequency Select pins, output types, output enable, and PLL ByPass Mode.

SCL/PD & SDA

The SMBus Clock (SCL/PD) and Data (SDA) pins are exercised through the on-board I²C interface.

In order to enable the I²C control of the DUT, see Step 3. The I²C/SMBus interface circuitry is powered separately from the USB type-B connection and is isolated from the device VDD and VDDOn. The SDA and SCL/PD pins can also be externally accessed by an off-board programmer, allowing other SMBus emulators to be used to program the DUT. "Test-point anvils" TP5 & TP6 are available for external control of the device with the use with mini-grabber cables.

NB3H5150MNGEVB

Graphical User Interface Set-Up

1. Connect the USB port on the evaluation board to a USB port via PC cable.
2. See the stand-alone GUI instructions document.
3. Allow Windows to install the necessary drivers for the evaluation board USB interface hardware.
4. Start the GUI program.

Board Layout

The NB3H5150 QFN-32 Evaluation Board provides a high bandwidth, 50-Ω controlled trace impedance environment (100-Ω line-to-line differential) and is implemented in six layers.

All layers are constructed with FR4 dielectric material.

Layer Stack

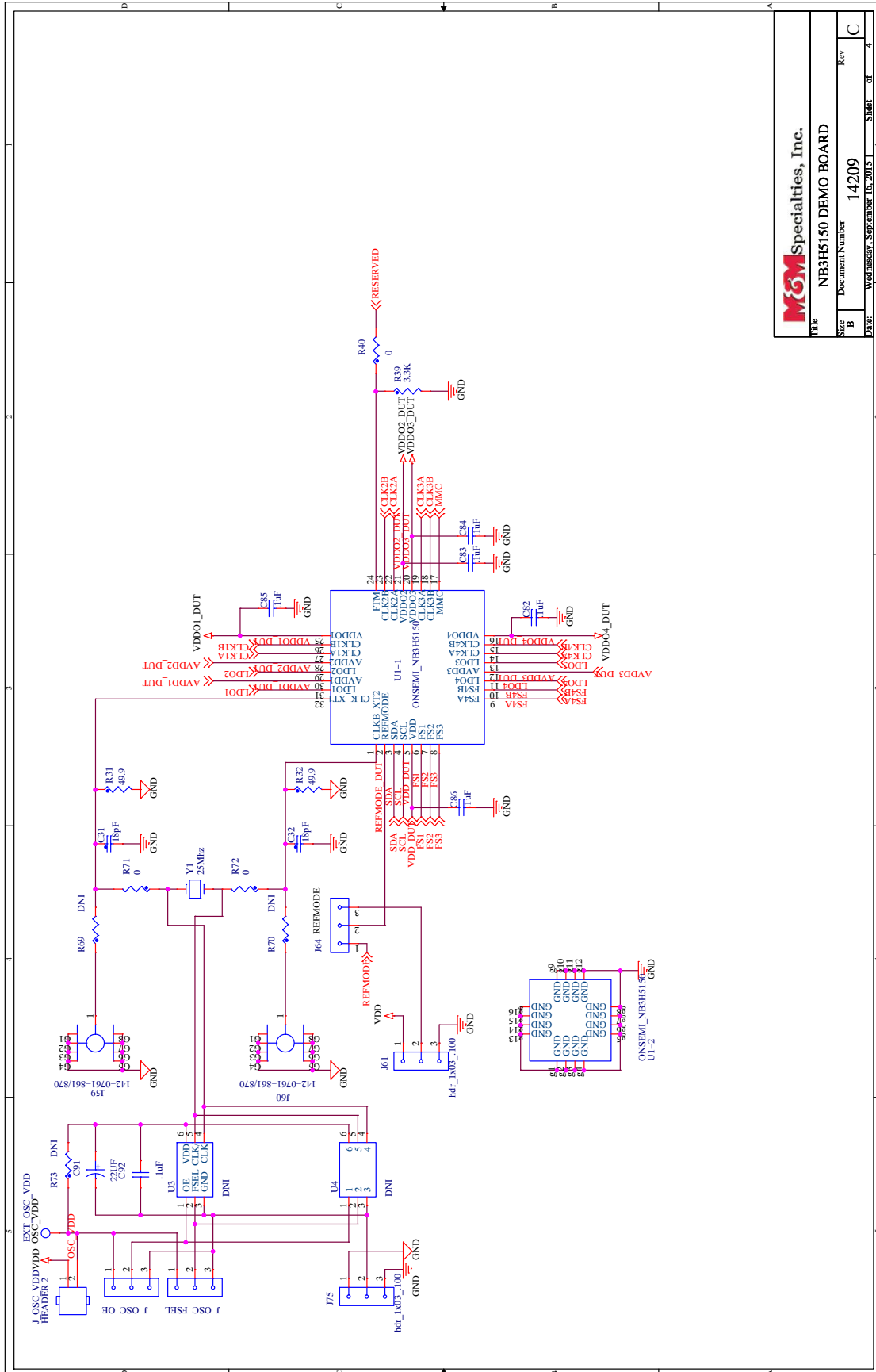
- L1 (Top) Signal
- L2 Ground
- L3 Power
- L4 Power
- L5 Ground
- L6 (Bottom) Signal

STACKUP: 6 LAYERS				IMPEDANCE	
Layer Number	Layer Name	Thickness (Inches)	Material	Ω (±5%)	Line Width
1	Top	0.0012	Copper	50, 100	0.010; 0.012
-	Dielectric	0.0080	FR-4	-	-
2	GND	0.0012	Copper	-	-
-	Dielectric	0.0040	FR-4	-	-
3	PWR1	0.0012	Copper	-	-
-	Dielectric	ADJUST	FR-4	-	-
4	PWR2	0.0012	Copper	-	-
-	Dielectric	0.0040	FR-4	-	-
5	GND	0.0012	Copper	-	-
-	Dielectric	0.0080	FR-4	-	-
6	Bottom	0.0012	Copper	50, 100	0.010; 0.012

Figure 18. NB3H5150MNG Evaluation Board Layer Stack-Up

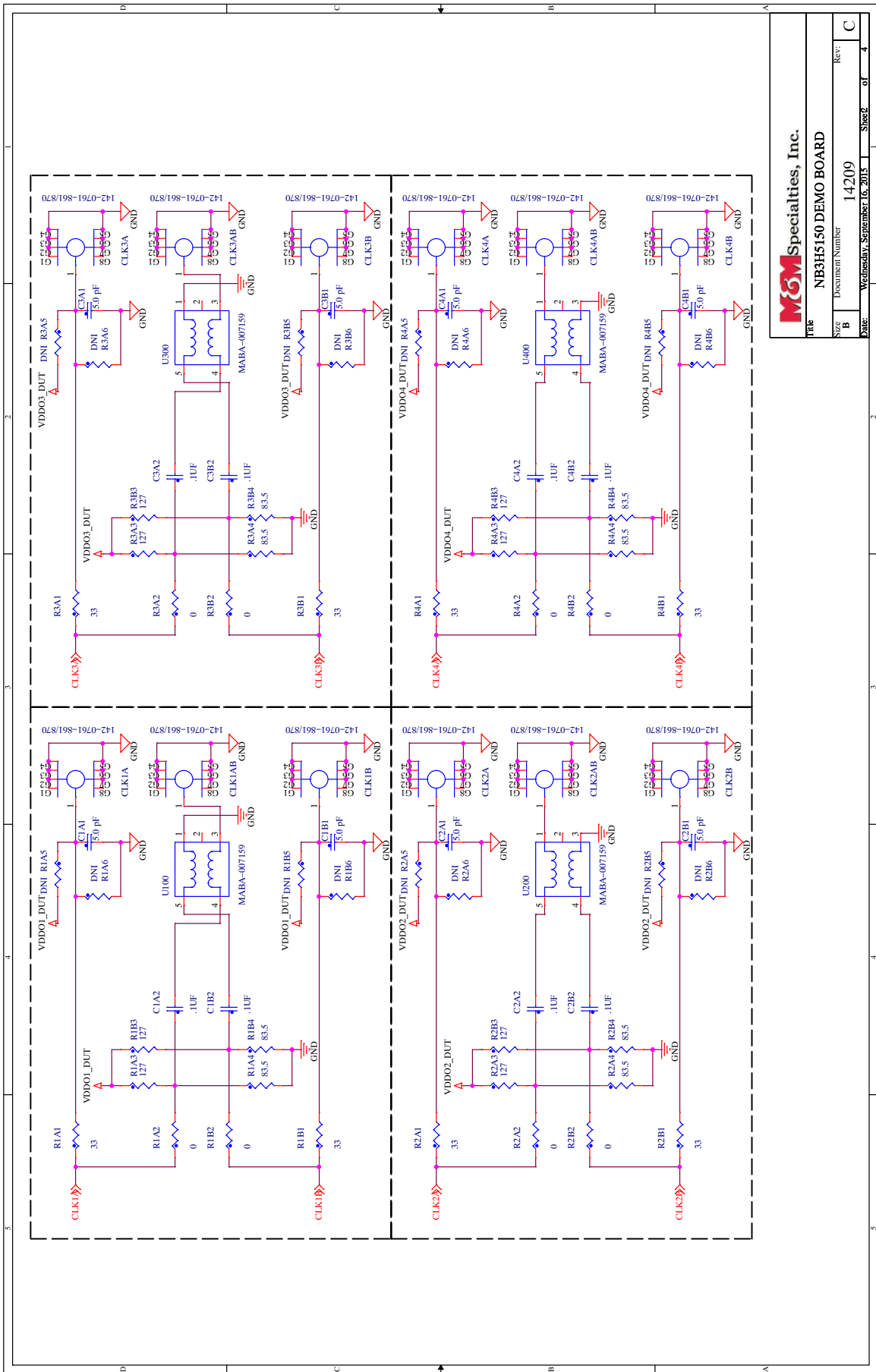
NB3H5150MNGEVB

SCHEMATICS

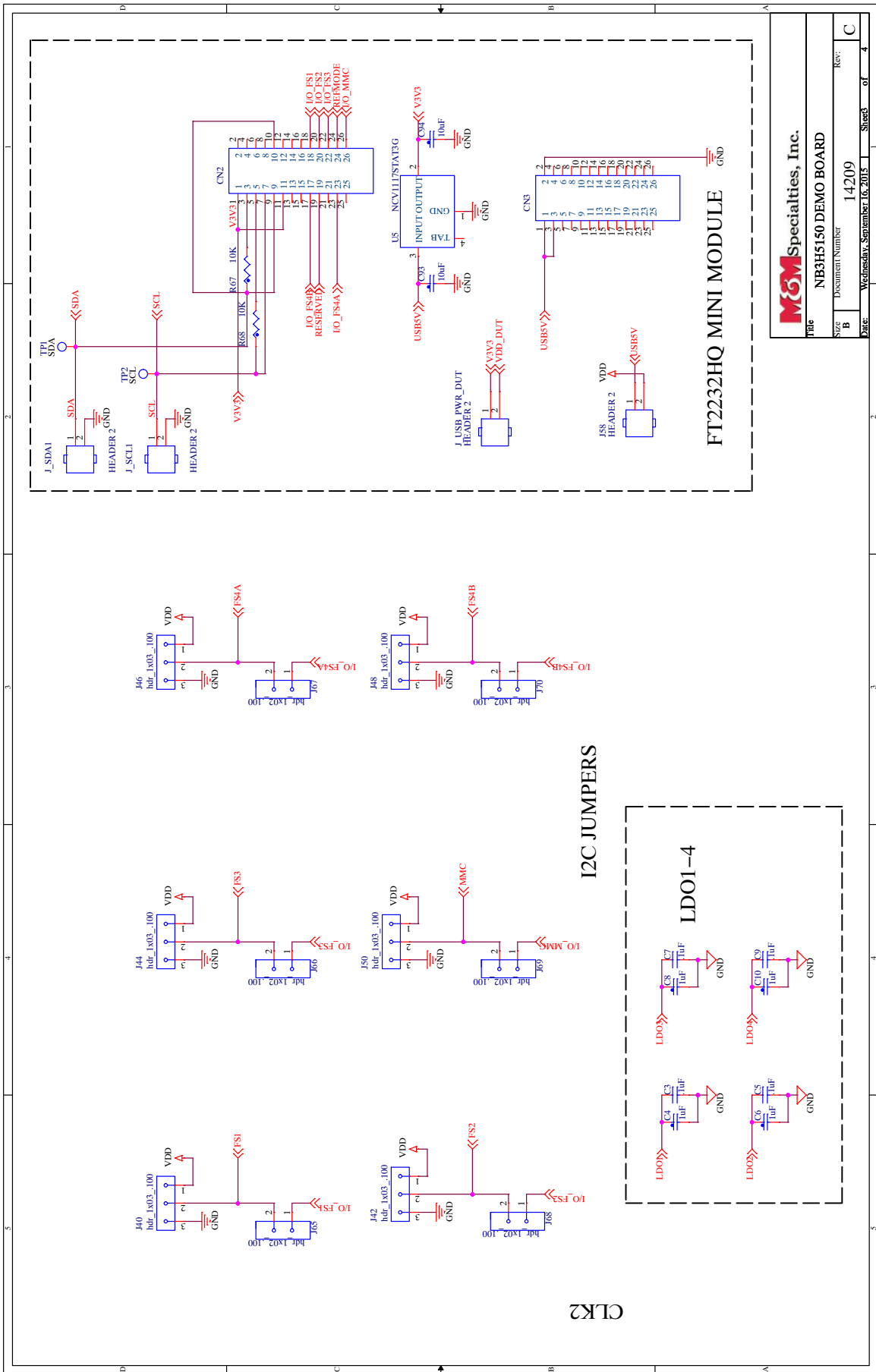


MOM Specialties, Inc.	
TITLE NB3H5150 DEMO BOARD	
Size B	Document Number 14209
Rev	DATE: Wednesday, September 16, 2015
C	Sheet of 4

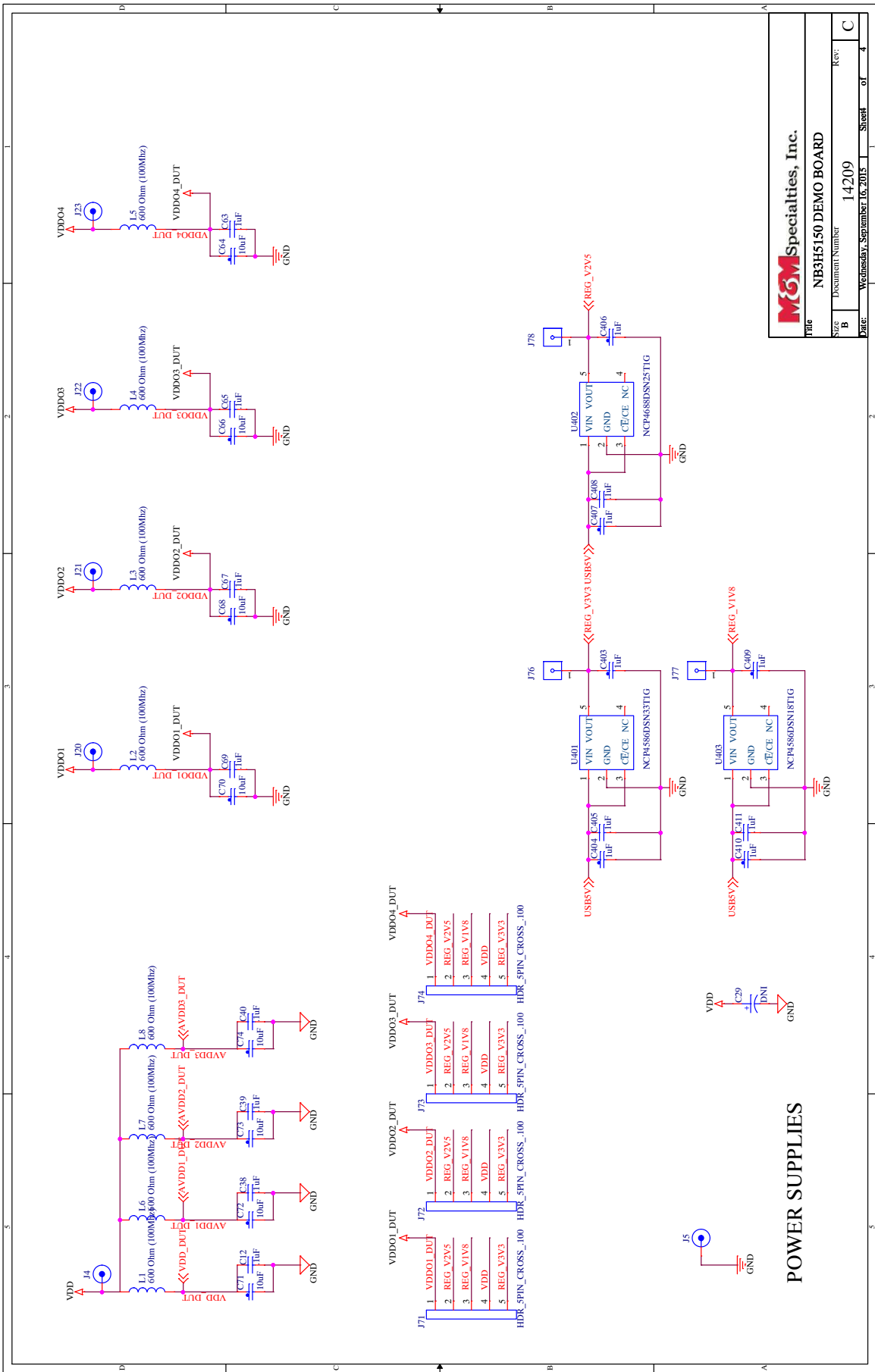
NB3H5150MNGEVB



MOM Specialties, Inc.
THE NB3H5150 DEMO BOARD
 Size B Document Number 14209
 Date: Wednesday, September 10, 2015 Sheet 2 of 4



MOM Specialties, Inc.		
Title: NB3H5150 DEMO BOARD		
Size: B	Document Number: 14209	Rev: C
Date: Wednesday, September 10, 2015	Sheet 3 of 4	



MCM Specialties, Inc.	
Title NB3H5150 DEMO BOARD	
Size B	Document Number 14209
Date: Wednesday, September 16, 2015	Sheet 4 of 4

POWER SUPPLIES

NB3H5150MNGEVB

BILL OF MATERIALS

Table 5. NB3H5150MNGEVB BILL OF MATERIALS

MM_ICN#	COMP_DEVICE_TYPE	COMP_VALUE	SOURCE	SOURCE_PN#	QTY	REFDES
80-111-00666	CAP, CER, 0.1 μ F, 50 V, 10%, X5R, 0402	0.1 μ F	Digi-Key	445-5942-1-ND	8	C1A2, C1B2, C2A2, C2B2, C3A2, C3B2, C4A2, C4B2
80-111-00219	Cap, Chip, 18 pF, 0402, 10 V, \pm 2%	18 pF	Digi-Key	478-4435-1-ND	2	C31, C32
80-111-00031	Cap, Chip, 1 μ F, 0603, 10V, 10%, X7R	1 μ F	SMEC	MCCB105K1NRT	10	C4, C6, C8, C10, C403, C404, C406, C407, C409, C410
80-111-00147	CAP, CER, 0.1 μ F, 50 V, 10%, X7R, 0603	0.1 μ F	Digi-Key	490-1519-1-ND	17	C12, C38, C39, C40, C63, C65, C67, C69, C82, C83, C84, C85, C86, C92, C405, C408, C411
80-111-00536	Cap, Chip, 5.0 pF, 0603, 50 V	5.0 pF	Digi-Key	GRM1885C1H5R0CZ01D	8	C1A1, C1B1, C2A1, C2B1, C3A1, C3B1, C4A1, C4B1
80-111-00255	Cap, Chip, 0.1 μ F, 0805, 50 V, 5% X7R	0.1 μ F	Digi-Key	MOUSER 581-05055C104J	1	C3
80-111-00796	Cap, Cer, 1206, 50 V, 0.1 μ F, X7R, 10%	0.1 μ F	Digi-Key	478-1556-1-ND	3	C5, C7, C9
80-111-00074	Cap, Chip, 10 μ F, 1210, 10 V, 10%, X5R	10 μ F	Digi-Key	587-1370-1-ND	8	C64, C66, C68, C70, C71, C72, C73, C74
DNI	CAP_DNI_TANTB	DNI	DNI	DNI	1	C29
80-111-00197	Cap, Chip, 22 μ F, Tant "D", 25 V 10%	22 μ F	Digi-Key	478-1729-1-ND	1	C91
0805N	RES_DNI_0805	DNI	DNI	DNI	1	R73
DNI	Res, Chip, 49.9 Ω , 0402, 1/16 W, 1%	49.9 Ω	Digi-Key	P49.9LCT-ND 80-114-00163	2	R31, R32
80-114-01607	Res SMD 3.3 k Ω 1% 1/16 W 0402	3.3 k Ω	Digi-Key	RHM3.3KCDTR-ND	1	R39
80-114-00052	Res, Chip, 0 Ω , 0402, 1/16 W, 5%	0 Ω	Digi-Key	311-0.0JRTR-ND	9	R40, R71, R72, R2A2, R2B2, R3A2, R3B2, R4A2, R4B2
DNI	Res, Chip, 0 Ω , 0402, 1/16 W, 5%	0 Ω	Digi-Key	311-0.0JRTR-ND	2	R1A2, R1B2
0402N	RES_0_1/16W_5%_0402	DNI	DNI	DNI	2	R69, R70
80-114-00473	Res, Chip, 33 Ω , 0402, 1/16 W, 5%	33 Ω	SMEC	RC73L2Z330JT	2	R1A1, R1B1
DNI	Res, Chip, 33 Ω , 0402, 1/16 W, 5%	33 Ω	SMEC	RC73L2Z330JT	6	R2A1, R2B1, R3A1, R3B1, R4A1, R4B1
80-114-01612	Res SMD 127 Ω 1% 1/16 W 0402	127 Ω	Digi-Key	541-127LDKR-ND	8	R1A3, R1B3, R2A3, R2B3, R3A3, R3B3, R4A3, R4B3
0402S1	RES_DNI_0402	DNI	DNI	DNI	16	R1A5, R1A6, R1B5, R1B6, R2A5, R2A6, R2B5, R2B6, R3A5, R3A6, R3B5, R3B6, R4A5, R4A6, R4B5, R4B6
80-114-01460	Res 10 k Ω 1/10 W 1% 0603 SMD	10 k Ω	Digi-Key	P10.0KHCT-ND	2	R67, R68
80-114-01628	Res SMD 82 Ω 0.1% 0.15 W 0805	82.5 Ω , 0603	Digi-Key	ERA-6AEB820V; P82DACT-ND	8	R1A4, R1B4, R2A4, R2B4, R3A4, R3B4, R4A4, R4B4
80-118-00259	IND_FERRITE-BEAD_60_0OHM_100MHZ*	600 Ω (100 MHz)	Digi-Key	587-1846-1-ND	8	L1, L2, L3, L4, L5, L6, L7, L8
80-118-00260	TRANSFORMER	MABA-007159	Digi-Key	1465-1302-1-ND	4	U100, U200, U300, U400
80-080-00330	CONN SMA JACK 50 Ω EDGE MNT	SMA 142-0761-861	Digi-Key	J805-ND	14	CLK1A, CLK1AB, CLK1B, CLK2A, CLK2AB, CLK2B, CLK3A, CLK3AB, CLK3B, CLK4A, CLK4AB, CLK4B, J59, J60
80-112-00108	Connector, Header, 50 Pos, 0.100"	HDR_1x01	Samtec	TSW-150-14-G-S	3	J76, J77, J78
DNI	Connector, Header, 50 Pos, 0.100"	hdr_1x02_100	Samtec	TSW-150-14-G-S	6	J65, J66, J67, J68, J69, J70
80-112-00108	Connector, Header, 50 Pos, 0.100"	hdr_1x03_100	Samtec	TSW-150-14-G-S	13	J40, J42, J44, J46, J48, J50, J61, J62, J63, J64, J75, J_OSC_FSEL, J_OSC_OE

NB3H5150MNGEVB

Table 5. NB3H5150MNGEVB BILL OF MATERIALS (continued)

MM_ICN#	COMP_DEVICE_TYPE	COMP_VALUE	SOURCE	SOURCE_PN#	QTY	REFDES
80-112-00249	CONN HEADER FMAL 26PS.1" DL GOLD	26 pis conn	Digi-Key	S7116-ND	2	CN2, CN3
80-112-00108	HDR_5PIN_CROSS_100 _HEADER, MAL	HDR_1x01(5 pin)	Samtec	TSW-150-14-G-S	4	J71, J72, J73, J74
80-112-00108	Connector, Header, 50 Pos, 0.100"	hdr_1x02_100	Samtec	TSW-150-14-G-S	5	J58, J_OSC_VDD, J_SCL1, J_SDA1, J_USB_PWR_DUT
DNI	OSC_ON_NBXDBA014_ CLCC_7X5_254_D	DNI	DNI	DNI	1	U3
DNI	OSC_ECS_SUBMINIATU RE_OSC_MINI_6	DNI	DNI	DNI	1	U4
80-112-00199	TEST POINT, PC, MULTI PURPOSE, RED	TP RED	Digi-Key	5010K-ND	6	J4, J5, J20, J21, J22, J23
80-112-00148	TEST POINT, PC, MULTI PURPOSE, BLK	TP BLK	Digi-Key	5011K-ND	1	EXT_OSC_VDD
80-112-00148	TEST POINT, PC, MULTI PURPOSE, BLK	TP BLK	Digi-Key	5011K-ND	1	TP1
80-112-00148	TEST POINT, PC, MULTI PURPOSE, BLK	TP BLK	Digi-Key	5011K-ND	1	TP2
80-113-00905	Crystal, CTS, 25 MHz, TH	25 MHz	Digi-Key	ABL-25.000MHZ-B2F	1	Y1
80-116-00527	IC REG LDO 3.3 V 0.15 A SOT23-5	3.3 V	Digi-Key	NCP4586DSN33T1G-ND	1	U401
80-116-00526	IC REG LDO 2.5 V 0.15 A SOT23-5	2.5 V	Digi-Key	NCP4688DSN25T1GOSCT-N D	1	U402
80-116-00528	IC REG LDO 1.8 V 0.15 A SOT23-5	1.8 V	Digi-Key	MIC5247-1.8YM5TR	1	U403
80-116-00549	IC REG LDO ADJ 1 A SOT223		Digi-Key	NCV1117STAT3G	1	U5
CSP	ONSEMI_NB3H5150_SK T_MM_50-000-0	QFM	ON Semiconductor	NB3H5150	1	U1
80-080-00327	Conn Jumper	Jumper	Digi-Key	S9341-ND	28	
80-080-00337	USB Cable - USB A Mini-B 1.8M Frost White		DNI	88732-8800	1	
80-113-00906	USB Hi-Speed FT2232H Evaluation Module		DNI	FT2232H Mini Module	1	

onsemi, **Onsemi**, and other names, marks, and brands are registered and/or common law trademarks of Semiconductor Components Industries, LLC dba "**onsemi**" or its affiliates and/or subsidiaries in the United States and/or other countries. **onsemi** owns the rights to a number of patents, trademarks, copyrights, trade secrets, and other intellectual property. A listing of **onsemi**'s product/patent coverage may be accessed at www.onsemi.com/site/pdf/Patent-Marking.pdf. **onsemi** is an Equal Opportunity/Affirmative Action Employer. This literature is subject to all applicable copyright laws and is not for resale in any manner.

The evaluation board/kit (research and development board/kit) (hereinafter the "board") is not a finished product and is not available for sale to consumers. The board is only intended for research, development, demonstration and evaluation purposes and will only be used in laboratory/development areas by persons with an engineering/technical training and familiar with the risks associated with handling electrical/mechanical components, systems and subsystems. This person assumes full responsibility/liability for proper and safe handling. Any other use, resale or redistribution for any other purpose is strictly prohibited.

THE BOARD IS PROVIDED BY ONSEMI TO YOU "AS IS" AND WITHOUT ANY REPRESENTATIONS OR WARRANTIES WHATSOEVER. WITHOUT LIMITING THE FOREGOING, ONSEMI (AND ITS LICENSORS/SUPPLIERS) HEREBY DISCLAIMS ANY AND ALL REPRESENTATIONS AND WARRANTIES IN RELATION TO THE BOARD, ANY MODIFICATIONS, OR THIS AGREEMENT, WHETHER EXPRESS, IMPLIED, STATUTORY OR OTHERWISE, INCLUDING WITHOUT LIMITATION ANY AND ALL REPRESENTATIONS AND WARRANTIES OF MERCHANTABILITY, FITNESS FOR A PARTICULAR PURPOSE, TITLE, NON-INFRINGEMENT, AND THOSE ARISING FROM A COURSE OF DEALING, TRADE USAGE, TRADE CUSTOM OR TRADE PRACTICE.

onsemi reserves the right to make changes without further notice to any board.

You are responsible for determining whether the board will be suitable for your intended use or application or will achieve your intended results. Prior to using or distributing any systems that have been evaluated, designed or tested using the board, you agree to test and validate your design to confirm the functionality for your application. Any technical, applications or design information or advice, quality characterization, reliability data or other services provided by **onsemi** shall not constitute any representation or warranty by **onsemi**, and no additional obligations or liabilities shall arise from **onsemi** having provided such information or services.

onsemi products including the boards are not designed, intended, or authorized for use in life support systems, or any FDA Class 3 medical devices or medical devices with a similar or equivalent classification in a foreign jurisdiction, or any devices intended for implantation in the human body. You agree to indemnify, defend and hold harmless **onsemi**, its directors, officers, employees, representatives, agents, subsidiaries, affiliates, distributors, and assigns, against any and all liabilities, losses, costs, damages, judgments, and expenses, arising out of any claim, demand, investigation, lawsuit, regulatory action or cause of action arising out of or associated with any unauthorized use, even if such claim alleges that **onsemi** was negligent regarding the design or manufacture of any products and/or the board.

This evaluation board/kit does not fall within the scope of the European Union directives regarding electromagnetic compatibility, restricted substances (RoHS), recycling (WEEE), FCC, CE or UL, and may not meet the technical requirements of these or other related directives.

FCC WARNING – This evaluation board/kit is intended for use for engineering development, demonstration, or evaluation purposes only and is not considered by **onsemi** to be a finished end product fit for general consumer use. It may generate, use, or radiate radio frequency energy and has not been tested for compliance with the limits of computing devices pursuant to part 15 of FCC rules, which are designed to provide reasonable protection against radio frequency interference. Operation of this equipment may cause interference with radio communications, in which case the user shall be responsible, at its expense, to take whatever measures may be required to correct this interference.

onsemi does not convey any license under its patent rights nor the rights of others.

LIMITATIONS OF LIABILITY: **onsemi** shall not be liable for any special, consequential, incidental, indirect or punitive damages, including, but not limited to the costs of requalification, delay, loss of profits or goodwill, arising out of or in connection with the board, even if **onsemi** is advised of the possibility of such damages. In no event shall **onsemi**'s aggregate liability from any obligation arising out of or in connection with the board, under any theory of liability, exceed the purchase price paid for the board, if any.

The board is provided to you subject to the license and other terms per **onsemi**'s standard terms and conditions of sale. For more information and documentation, please visit www.onsemi.com.

ADDITIONAL INFORMATION

TECHNICAL PUBLICATIONS:

Technical Library: www.onsemi.com/design/resources/technical-documentation
onsemi Website: www.onsemi.com

ONLINE SUPPORT: www.onsemi.com/support

For additional information, please contact your local Sales Representative at www.onsemi.com/support/sales