

Thank you for your interest in **onsemi** products.
Your technical document begins on the following pages.



Your Feedback is Important to Us!

Please take a moment to participate in our short survey.
At **onsemi**, we are dedicated to delivering technical content that best meets your needs.

[Help Us Improve – Take the Survey](#)

This survey is intended to collect your feedback, capture any issues you may encounter, and to provide improvements you would like to suggest.

We look forward to your feedback.

To learn more about **onsemi**, please visit our website at
www.onsemi.com

onsemi and **onsemi** and other names, marks, and brands are registered and/or common law trademarks of Semiconductor Components Industries, LLC dba "**onsemi**" or its affiliates and/or subsidiaries in the United States and/or other countries. **onsemi** owns the rights to a number of patents, trademarks, copyrights, trade secrets, and other intellectual property. A listing of **onsemi** product/patent coverage may be accessed at www.onsemi.com/site/pdf/Patent-Marking.pdf. **onsemi** reserves the right to make changes at any time to any products or information herein, without notice. The information herein is provided "as-is" and **onsemi** makes no warranty, representation or guarantee regarding the accuracy of the information, product features, availability, functionality, or suitability of its products for any particular purpose, nor does **onsemi** assume any liability arising out of the application or use of any product or circuit, and specifically disclaims any and all liability, including without limitation special, consequential or incidental damages. Buyer is responsible for its products and applications using **onsemi** products, including compliance with all laws, regulations and safety requirements or standards, regardless of any support or applications information provided by **onsemi**. "Typical" parameters which may be provided in **onsemi** data sheets and/or specifications can and do vary in different applications and actual performance may vary over time. All operating parameters, including "Typicals" must be validated for each customer application by customer's technical experts. **onsemi** does not convey any license under any of its intellectual property rights nor the rights of others. **onsemi** products are not designed, intended, or authorized for use as a critical component in life support systems or any FDA Class 3 medical devices or medical devices with a same or similar classification in a foreign jurisdiction or any devices intended for implantation in the human body. Should Buyer purchase or use **onsemi** products for any such unintended or unauthorized application, Buyer shall indemnify and hold **onsemi** and its officers, employees, subsidiaries, affiliates, and distributors harmless against all claims, costs, damages, and expenses, and reasonable attorney fees arising out of, directly or indirectly, any claim of personal injury or death associated with such unintended or unauthorized use, even if such claim alleges that **onsemi** was negligent regarding the design or manufacture of the part. **onsemi** is an Equal Opportunity/Affirmative Action Employer. This literature is subject to all applicable copyright laws and is not for resale in any manner. Other names and brands may be claimed as the property of others.

4-Bit 140 Mb/s Configurable Dual-Supply Level Translator

NL3X5004, NL3XN5004

The NL3X5004 and NL3XN5004 are 4-bit configurable dual-supply autosensing bidirectional level translators that do not require direction control pins. The A- and B-ports are designed to track two different power supply rails, V_{CCA} and V_{CCB} respectively. Both the V_{CCA} and the V_{CCB} supply rails are independently – configurable from 0.9 V to 3.6 V.

The NL3X5004 and NL3XN5004 have high dynamic output current capability, allowing the translators to drive high capacitive loads.

Enable input pins are available to reduce the power consumption. These pins may be used to disable both A- and B-ports by putting them in 3-state significantly reducing the supply current from both V_{CCA} and V_{CCB} . These pins are referenced to the V_{CCA} supply. The NL3X5004 has an active-High enable (EN) while the NL3XN5004 has active-Low enable (\overline{EN}).

Features

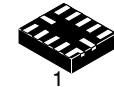
- Wide V_{CCA} , V_{CCB} Operating Range: 0.9 V to 3.6 V
- V_{CCA} and V_{CCB} are independent
 - V_{CCA} may be greater than, equal to, or less than V_{CCB}
- High 100 pF Capacitive Drive Capability
- High-Speed w/ 140 Mbps Guaranteed Data Rate for V_{CCA} , $V_{CCB} > 1.8$ V
- Low Bit-to-Bit skew
- Overvoltage Tolerant Enable and I/O Pins
- Non-preferential Power-Up Sequencing
- Partial Power-Off Protection
- Available packaging:
 - UQFN-12, SOIC14, TSSOP14, QFN-14, Other packages
- –Q Suffix for Automotive and Other Applications Requiring Unique Site and Control Change Requirements; AEC-Q100 Qualified and PPAP Capable
- These Devices are Pb-Free, Halogen Free/BFR Free and RoHS Compliant

Typical Applications

- Mobile Phones, Infotainment Systems, Other Devices

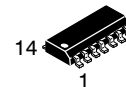
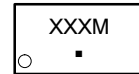
Important Information

- ESD Protection for All Pins:
 - HBM (Human Body Model) – 4000 V

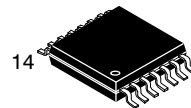
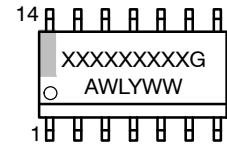


1
UQFN12
MU SUFFIX
CASE 523AE

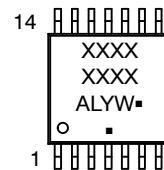
MARKING DIAGRAMS



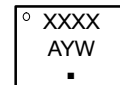
14
1
SOIC14
D SUFFIX
CASE 751A



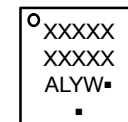
14
1
TSSOP14
DT SUFFIX
CASE 948G



1
QFN14
MN SUFFIX
CASE 485DE



QFN14
MN SUFFIX
CASE 485AL



XXXXX = Specific Device Code
M = Date Code
A = Assembly Location
L or WL = Wafer Lot
Y = Year
W or WW = Work Week
G or ■ = Pb-Free Package

(Note: Microdot may be in either location)

ORDERING INFORMATION

See detailed ordering and shipping information on page 16 of this data sheet.

NL3X5004, NL3XN5004

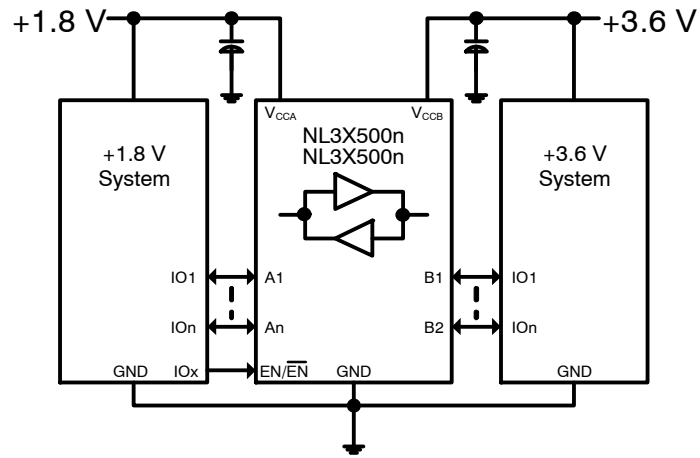


Figure 1. Typical Application Circuit

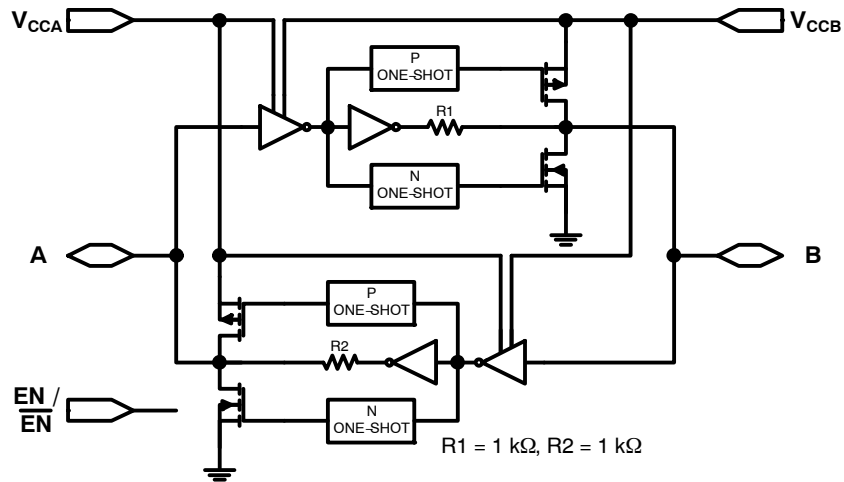


Figure 2. Functional Diagram (1 I/O Line)

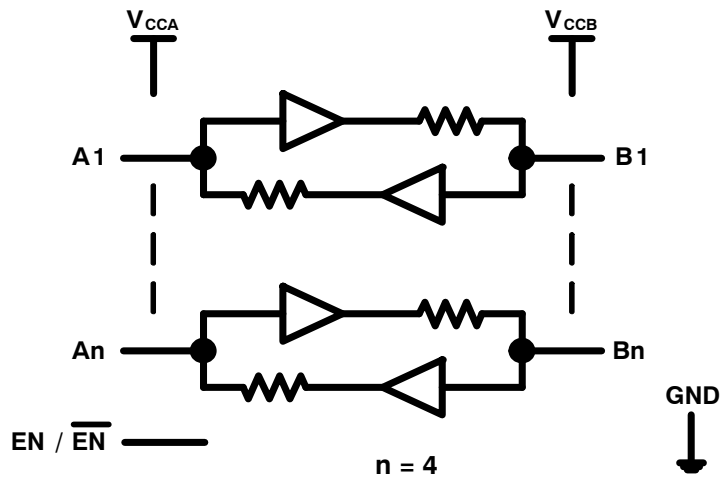


Figure 3. Logic Diagram

NL3X5004, NL3XN5004

PIN ASSIGNMENTS

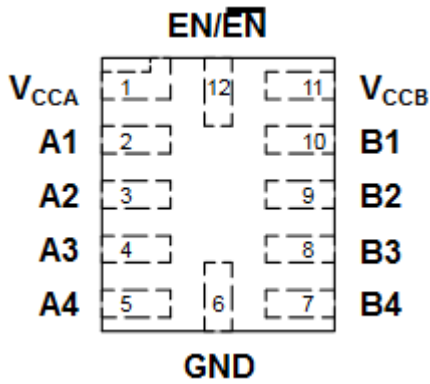


Figure 4. UQFN12

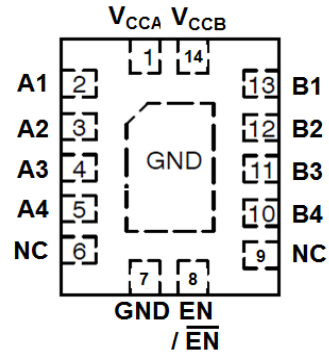


Figure 5. QFN14 (2.5 x 3.0)

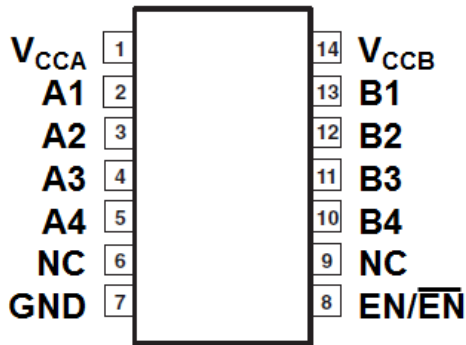


Figure 6. TSSOP / SOIC

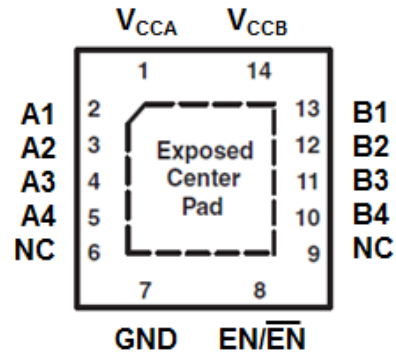


Figure 7. QFN14 (3.5 x 3.5)

PIN DESCRIPTIONS

Pins	Description
V _{CCA}	A-Port Supply Voltage
V _{CCB}	B-Port Supply Voltage
GND	Ground
EN	Active-High Enable (NL3X500n), Referenced to V _{CCA}
$\overline{\text{EN}}$	Active-Low Enable (NL3XN500n), Referenced to V _{CCA}
An	A-Port, Referenced to V _{CCA}
Bn	B-Port, Referenced to V _{CCB}

FUNCTION TABLE

NL3X500n	NL3XN500n	Operating Mode
EN	$\overline{\text{EN}}$	
L	H	An and Bn at Hi-Z
H	L	An and Bn Connected

NL3X5004, NL3XN5004

Table 1. MAXIMUM RATINGS

Symbol	Parameter	Value	Condition	Unit
V_{CCA}	A-side DC Supply Voltage	-0.5 to +4.3		V
V_{CCB}	B-side DC Supply Voltage	-0.5 to +4.3		V
V_{IN}	Input/Output Voltage EN/\overline{EN}	-0.5 to +4.3		V
	Power Down Mode (V_{CCA} and/or $V_{CCB} = 0$ V)		-0.5 to +4.3	
	Tri-State Mode ($EN = L$ or $\overline{EN} = H$)		-0.5 to +4.3	
	Active Mode	A-Port	-0.5 to $V_{CCA}+0.5$	
		B-Port	-0.5 to $V_{CCB}+0.5$	
I_{IK}	DC Input Diode Current	-50	$V_{IN} < GND$	mA
I_{OK}	DC Output Diode Current	-50	$V_O < GND$	mA
I_{CCA}	DC Supply Current Through V_{CCA}	± 100		mA
I_{CCB}	DC Supply Current Through V_{CCB}	± 100		mA
I_{GND}	DC Ground Current Through Ground Pin	± 100		mA
T_{STG}	Storage Temperature	-65 to +150		$^{\circ}C$
θ_{JA}	Thermal Resistance (Note 1)	UQFN12	143	$^{\circ}C/W$
		SOIC-14	116	
		QFN14	130	
		TSSOP14	150	
P_D	Power Dissipation in Still Air	UQFN12	875	mW
		SOIC-14	1077	
		QFN14	962	
		TSSOP14	833	

Stresses exceeding those listed in the Maximum Ratings table may damage the device. If any of these limits are exceeded, device functionality should not be assumed, damage may occur and reliability may be affected.

1. Measured with minimum pad spacing on an FR4 board, using 76mm-by-114mm, 2-ounce copper trace no air flow per JESD51-7.

Table 2. RECOMMENDED OPERATING CONDITIONS

Symbol	Parameter	Min	Max	Unit	
V_{CCA}	A-Port Supply Voltage	0.9	3.6	V	
V_{CCB}	B-Port Supply Voltage	0.9	3.6	V	
V_I	Input/Output Voltage EN/\overline{EN}	GND	3.6	V	
	Power Down Mode (V_{CCA} and/or $V_{CCB} = 0$ V)		GND		3.6
	Tri-State Mode ($EN = L$ or $\overline{EN} = H$)		GND		3.6
	Active Mode	A-Port	GND		V_{CCA}
		B-Port	GND	V_{CCB}	
T_A	Operating Temperature Range	-40	+125	$^{\circ}C$	
$\Delta t/\Delta V$	Input Transition Rise or Fall Rate V_I from 30% to 70% of V_{CCA}/V_{CCB}	0	10	ns/V	

Functional operation above the stresses listed in the Recommended Operating Ranges is not implied. Extended exposure to stresses beyond the Recommended Operating Ranges limits may affect device reliability.

NL3X5004, NL3XN5004

Table 3. DC ELECTRICAL CHARACTERISTICS

Symbol	Parameter	Test Conditions (Note 2)	Pin/Port	V _{CCA} (V)	V _{CCB} (V)	-40°C to +85°C			-40°C to +125°C		Unit
						Min	Typ (Note 3)	Max	Min	Max	
						V _{IH}	Input HIGH Voltage		A, EN/ $\overline{\text{EN}}$	0.9	
				1.1 – 3.6	1.1 – 3.6	0.65 * V _{CCA}	–	–	0.65 * V _{CCA}	–	
			B	0.9 – 3.6	0.9	–	0.65 * V _{CCB}	–	–	–	
				1.1 – 3.6	1.1 – 3.6	0.65 * V _{CCB}	–	–	0.65 * V _{CCB}	–	
V _{IL}	Input LOW Voltage		A, EN/ $\overline{\text{EN}}$	0.9	0.9 – 3.6	–	0.35 * V _{CCA}	–	–	–	V
				1.1 – 3.6	1.1 – 3.6	–	–	0.35 * V _{CCA}	–	0.35 * V _{CCA}	
			B	0.9 – 3.6	0.9	–	0.35 * V _{CCB}	–	–	–	
				1.1 – 3.6	1.1 – 3.6	–	–	0.35 * V _{CCB}	–	0.35 * V _{CCB}	
V _{OH}	Output HIGH Voltage	I _{OH} = –20 μ A	A	0.9	0.9 – 3.6	–	0.9 * V _{CCA}	–	–	–	V
				1.1 – 3.6	1.1 – 3.6	0.9 * V _{CCA}	–	–	0.9 * V _{CCA}	–	
			B	0.9 – 3.6	0.9	–	0.9 * V _{CCB}	–	–	–	
				1.1 – 3.6	1.1 – 3.6	0.9 * V _{CCB}	–	–	0.9 * V _{CCB}	–	
V _{OL}	Output LOW Voltage	I _{OL} = 20 μ A	A	0.9	0.9 – 3.6	–	0.2	–	–	–	V
				1.1 – 3.6	1.1 – 3.6	–	–	0.2	–	0.2	
			B	0.9 – 3.6	0.9	–	0.2	–	–	–	
				1.1 – 3.6	1.1 – 3.6	–	–	0.2	–	0.2	
I _{OZ}	Tristate Output Leakage	(EN = 0V or = V _{CCA}); (A = 0 V or V _{CCA}) (B = 0 V or V _{CCB})	A	0.9 – 3.6	0.9 – 3.6	–	0.01	\pm 1.5	–	\pm 4.5	μ A
			B	0.9 – 3.6	0.9 – 3.6	–	0.01	\pm 1	–	\pm 3.5	
I _I	Input Pin Leakage	V _{IN} = 0 V to V _{CCA}	EN/ $\overline{\text{EN}}$	0.9 – 3.6	0.9 – 3.6	–	0.01	\pm 1	–	\pm 3	μ A
I _{CC}	Supply Current	(EN = V _{CCA} or = 0 V);	V _{CCA}	0.9 – 3.6	0.9 – 3.6	–	0.4	2.0	–	6.0	μ A
		I _O = 0 A, (A = 0 V, B = 0 V) or (A = V _{CCA} , B = V _{CCB})	V _{CCB}	0.9 – 3.6	0.9 – 3.6	–	0.4	2.0	–	6.0	
I _{CCZ}	Tristate Output Mode Supply Current	(EN = 0V or = V _{CCA}), (A = 0 V, B = 0 V) or (A = V _{CCA} , B = V _{CCB})	V _{CCA}	0.9 – 3.6	0.9 – 3.6	–	0.2	1.5	–	7.0	μ A
			V _{CCB}	0.9 – 3.6	0.9 – 3.6	–	0.2	1.5	–	6.0	

NL3X5004, NL3XN5004

Table 3. DC ELECTRICAL CHARACTERISTICS (continued)

Symbol	Parameter	Test Conditions (Note 2)	Pin/Port	V _{CCA} (V)	V _{CCB} (V)	-40°C to +85°C			-40°C to +125°C		Unit
						Min	Typ (Note 3)	Max	Min	Max	
I _{OFF}	Power Off Leakage	A = 0 to 3.6 V, B = 0 to 3.6 V	A, B	0	0	-	0.02	1.5	-	5.0	μA
				0.9–3.6	0	-	0.01	1.5	-	5.0	
				0	0.9–3.6	-	0.01	1.5	-	5.0	

Product parametric performance is indicated in the Electrical Characteristics for the listed test conditions, unless otherwise noted. Product performance may not be indicated by the Electrical Characteristics if operated under different conditions.

2. Normal test conditions are V_I = 0 V, C_{LA} ≤ 15 pF and C_{LB} ≤ 15 pF, unless otherwise specified.

3. Typical values are for T_A = +25°C. All units are production tested at T_A = +25°C.

NL3X5004, NL3XN5004

Table 4. TIMING CHARACTERISTICS

Symbol	Parameter	Test Conditions		V _{CCA} (V)	V _{CCB} (V)	-40°C to +85°C			-40°C to +125°C		Unit
						Min	Typ (Note 4)	Max	Min	Max	
t _{PD}	Propagation Delay	C _L = 15 pF	A to B	0.9 – 3.6	0.9 – 3.6	–	24	–	–	–	ns
				1.1 – 3.6	1.1 – 3.6	–	8.8	30	–	35	
				1.2	1.8	–	7.3	9	–	9	
				1.8	1.2	–	9.9	12	–	12	
				1.8	2.8	–	4.9	7	–	7	
				2.8	1.8	–	5.8	7.5	–	7.5	
				1.8	3.3	–	4.6	6	–	6	
				3.3	1.8	–	5.7	7	–	7	
			1.8 – 3.6	1.8 – 3.6	–	4.3	9.5	–	10		
			B to A	0.9 – 3.6	0.9 – 3.6	–	24	–	–	–	
				1.1 – 3.6	1.1 – 3.6	–	8.8	30	–	35	
				1.2	1.8	–	9.9	12	–	12	
				1.8	1.2	–	7.3	9	–	9	
				1.8	2.8	–	5.8	7.5	–	7.5	
				2.8	1.8	–	4.9	7	–	7	
				1.8	3.3	–	5.7	7	–	7	
		3.3		1.8	–	4.6	6	–	6		
		1.8 – 3.6	1.8 – 3.6	–	4.3	9.5	–	10			
		C _L = 30 pF	A to B	0.9 – 3.6	0.9 – 3.6	–	27	–	–	–	
				1.1 – 3.6	1.1 – 3.6	–	9.1	32	–	35	
				1.2	1.8	–	7.8	9.3	–	9.3	
				1.8	1.2	–	10.8	12.6	–	12.6	
				1.8	2.8	–	6.2	7.4	–	7.4	
				2.8	1.8	–	6.0	7.9	–	8.0	
				1.8	3.3	–	6.1	7.4	–	7.4	
				3.3	1.8	–	4.2	6.5	–	6.5	
			1.8 – 3.6	1.8 – 3.6	–	4.5	10	–	10.5		
			B to A	0.9 – 3.6	0.9 – 3.6	–	27	–	–	–	
1.1 – 3.6	1.1 – 3.6			–	9.1	32	–	35			
1.2	1.8			–	10.8	12.6	–	12.6			
1.8	1.2			–	7.8	9.3	–	9.3			
1.8	2.8			–	6.0	7.9	–	8.0			
2.8	1.8			–	6.2	7.4	–	7.4			

NL3X5004, NL3XN5004

Table 4. TIMING CHARACTERISTICS (continued)

Symbol	Parameter	Test Conditions		V _{CCA} (V)	V _{CCB} (V)	-40°C to +85°C			-40°C to +125°C		Unit	
						Min	Typ (Note 4)	Max	Min	Max		
t _{PD}	Propagation Delay	C _L = 30 pF	B to A	1.8	3.3	-	4.2	6.5	-	6.5	ns	
				3.3	1.8	-	6.1	7.4	-	7.4		
				1.8 – 3.6	1.8 – 3.6	-	4.5	10	-	10.5		
			C _L = 50 pF	A to B	0.9 – 3.6	0.9 – 3.6	-	31	-	-		-
					1.1 – 3.6	1.1 – 3.6	-	9.4	35	-		37
					1.2	1.8	-	8.1	9.5	-		9.5
					1.8	1.2	-	11.1	13.6	-		13.6
					1.8	2.8	-	6.5	7.6	-		7.6
					2.8	1.8	-	6.2	8.2	-		8.3
		1.8			3.3	-	6.3	7.6	-	7.6		
		3.3			1.8	-	4.3	6.6	-	6.6		
		1.8 – 3.6			1.8 – 3.6	-	4.7	10.3	-	10.8		
		B to A		0.9 – 3.6	0.9 – 3.6	-	31	-	-	-		
				1.1 – 3.6	1.1 – 3.6	-	9.4	35	-	37		
				1.2	1.8	-	11.1	13.6	-	13.6		
				1.8	1.2	-	8.1	9.5	-	9.5		
				1.8	2.8	-	6.2	8.2	-	8.3		
				2.8	1.8	-	6.5	7.6	-	7.6		
				1.8	3.3	-	4.3	6.6	-	6.6		
				3.3	1.8	-	6.3	7.6	-	7.6		
				1.8 – 3.6	1.8 – 3.6	-	4.7	10.3	-	10.8		
				C _L = 100 pF	A to B	0.9 – 3.6	0.9 – 3.6	-	41	-		-
		1.1 – 3.6	1.1 – 3.6			-	12	21	-	21		
		1.2	1.8			-	8.4	10	-	10		
		1.8	1.2			-	11.5	15	-	15		
		1.8	2.8			-	5.5	8.3	-	8.3		
		2.8	1.8			-	6.9	8.9	-	9		
		1.8	3.3			-	5.1	6.7	-	6.8		
3.3	1.8	-	6.8			8.2	-	8.2				
1.8 – 3.6	1.8 – 3.6	-	5.0			11	-	11.5				
B to A	0.9 – 3.6	0.9 – 3.6	-		41	-	-	-				
	1.1 – 3.6	1.1 – 3.6	-		12	21	-	21				

NL3X5004, NL3XN5004

Table 4. TIMING CHARACTERISTICS (continued)

Symbol	Parameter	Test Conditions		V _{CCA} (V)	V _{CCB} (V)	-40°C to +85°C			-40°C to +125°C		Unit				
						Min	Typ (Note 4)	Max	Min	Max					
t _{PD}	Propagation Delay	C _L = 100 pF	B to A	1.2	1.8	-	11.5	15	-	15	ns				
				1.8	1.2	-	8.4	10	-	10					
				1.8	2.8	-	6.9	8.9	-	9					
				2.8	1.8	-	5.5	8.3	-	8.3					
				1.8	3.3	-	6.8	8.2	-	8.2					
				3.3	1.8	-	5.1	6.7	-	6.8					
				1.8 – 3.6	1.8 – 3.6	-	5.0	11	-	11.5					
t _R	Output Rise Time	C _L = 15 pF	A	0.9	0.9 – 3.6	-	11.1	-	-	-	ns				
				1.1 – 1.2	1.1 – 3.6	-	2.5	4.5	-	4.5					
				1.2 – 1.8		-	2.0	3.5	-	3.5					
				1.8 – 2.8		-	0.6	2.0	-	2.0					
				2.8 – 3.6		-	0.5	2.0	-	2.0					
			B	0.9 – 3.6	0.9	-	11.1	-	-	-					
				1.1 – 3.6	1.1 – 1.2	-	2.5	4.5	-	4.5					
				1.2 – 1.8		-	2.0	3.5	-	3.5					
				1.8 – 2.8		-	0.6	2.0	-	2.0					
				2.8 – 3.6		-	0.5	2.0	-	2.0					
			t _F	Output Fall Time	C _L = 15 pF	A	0.9	0.9 – 3.6	-	12.2		-	-	-	ns
							1.1 – 1.2	1.1 – 3.6	-	2.5		6.0	-	6.0	
							1.2 – 1.8		-	1.8		3	-	3	
							1.8 – 2.8		-	0.6		2.0	-	2.0	
2.8 – 3.6		-					0.5	2.0	-	2.0					
B	0.9 – 3.6	0.9				-	12.2	-	-	-					
	1.1 – 3.6	1.1 – 1.2				-	2.5	6.0	-	6.0					
	1.2 – 1.8					-	1.8	3	-	3					
	1.8 – 2.8					-	0.6	2.0	-	2.0					
	2.8 – 3.6					-	0.5	2.0	-	2.0					

NL3X5004, NL3XN5004

Table 4. TIMING CHARACTERISTICS (continued)

Symbol	Parameter	Test Conditions	V _{CCA} (V)	V _{CCB} (V)	-40°C to +85°C			-40°C to +125°C		Unit
					Min	Typ (Note 4)	Max	Min	Max	
t _{SK}	Channel-to-Channel Skew		0.9 – 3.6	0.9 – 3.6	–	0.15	–	–	–	ns
MDR	Maximum Data Rate	C _L = 15 pF	0.9 – 3.6	0.9 – 3.6	–	50	–	–	–	Mbps
			1.1 – 3.6	1.1 – 3.6	50	–	–	50	–	
			1.8 – 3.6	1.8 – 3.6	140	–	–	140	–	
		C _L = 30 pF	0.9 – 3.6	0.9 – 3.6	–	40	–	–	–	
			1.1 – 3.6	1.1 – 3.6	40	–	–	40	–	
			1.8 – 3.6	1.8 – 3.6	120	–	–	120	–	
		C _L = 50 pF	0.9 – 3.6	0.9 – 3.6	–	30	–	–	–	
			1.1 – 3.6	1.1 – 3.6	30	–	–	30	–	
			1.8 – 3.6	1.8 – 3.6	100	–	–	100	–	
		C _L = 100 pF	0.9 – 3.6	0.9 – 3.6	–	20	–	–	–	
			1.1 – 3.6	1.1 – 3.6	20	–	–	20	–	
			1.8 – 3.6	1.8 – 3.6	60	–	–	60	–	

NL3X5004, NL3XN5004

Table 4. TIMING CHARACTERISTICS (continued)

Symbol	Parameter	Test Conditions		V _{CCA} (V)	V _{CCB} (V)	-40°C to +85°C			-40°C to +125°C		Unit		
						Min	Typ (Note 4)	Max	Min	Max			
t _{EN}	Output Enable Time	C _L = 15 pF; B = V _{CCB}	EN/ $\overline{\text{EN}}$ to A	0.9 – 3.6	0.9 – 3.6	–	125	–	–	–	ns		
				1.1 – 3.6	1.1 – 3.6	–	116.3	200	–	200			
				1.2 – 1.8	1.2 – 1.8	–	64.5	180	–	180			
				1.8 – 2.8	1.8 – 2.8	–	49.6	150	–	150			
				1.8 – 3.6	1.8 – 3.6	–	42.5	100	–	100			
				C _L = 15 pF; B = 0 V	EN/ $\overline{\text{EN}}$ to A	0.9 – 3.6	0.9 – 3.6	–	205	–		–	–
						1.1 – 3.6	1.1 – 3.6	–	113.4	300		–	300
						1.2 – 1.8	1.2 – 1.8	–	100	250		–	250
						1.8 – 2.8	1.8 – 2.8	–	94.3	200		–	200
		1.8 – 3.6	1.8 – 3.6			–	90.9	170	–	170			
		C _L = 15 pF; A = V _{CCA}	EN/ $\overline{\text{EN}}$ to B	0.9 – 3.6	0.9 – 3.6	–	125	–	–	–			
				1.1 – 3.6	1.1 – 3.6	–	116.3	200	–	200			
				1.2 – 1.8	1.2 – 1.8	–	64.5	180	–	180			
				1.8 – 2.8	1.8 – 2.8	–	49.6	150	–	150			
				1.8 – 3.6	1.8 – 3.6	–	42.5	100	–	100			
				C _L = 15 pF; A = 0 V	EN/ $\overline{\text{EN}}$ to B	0.9 – 3.6	0.9 – 3.6	–	205	–		–	–
						1.1 – 3.6	1.1 – 3.6	–	113.4	300		–	300
						1.2 – 1.8	1.2 – 1.8	–	100	250		–	250
1.8 – 2.8	1.8 – 2.8					–	94.3	200	–	200			
1.8 – 3.6	1.8 – 3.6	–	90.9			170	–	170					

NL3X5004, NL3XN5004

Table 4. TIMING CHARACTERISTICS (continued)

Symbol	Parameter	Test Conditions	V _{CCA} (V)	V _{CCB} (V)	-40°C to +85°C			-40°C to +125°C		Unit		
					Min	Typ (Note 4)	Max	Min	Max			
t _{DIS}	Output Disable Time	C _L = 15 pF; B = V _{CCB}	EN/ $\overline{\text{EN}}$ to A	0.9 – 3.6	0.9 – 3.6	-	270	-	-	-	ns	
				1.1 – 3.6	1.1 – 3.6	-	255	600	-	600		
				1.2 – 1.8	1.2 – 1.8	-	180	350	-	350		
				1.8 – 2.8	1.8 – 2.8	-	166.7	350	-	350		
				1.8 – 3.6	1.8 – 3.6	-	155.6	300	-	300		
				C _L = 15 pF; B = 0 V	0.9 – 3.6	0.9 – 3.6	-	180	-	-		-
					1.1 – 3.6	1.1 – 3.6	-	156.7	400	-		400
					1.2 – 1.8	1.2 – 1.8	-	140	300	-		300
					1.8 – 2.8	1.8 – 2.8	-	130.2	300	-		300
		1.8 – 3.6	1.8 – 3.6		-	124.6	250	-	250			
		C _L = 15 pF; A = V _{CCA}	EN/ $\overline{\text{EN}}$ to B	0.9 – 3.6	0.9 – 3.6	-	270	-	-	-		
				0.9 – 3.6	0.9 – 3.6	-	255	600	-	600		
				1.2 – 1.8	1.2 – 1.8	-	180	350	-	350		
				1.8 – 2.8	1.8 – 2.8	-	166.7	350	-	350		
				1.8 – 3.6	1.8 – 3.6	-	155.6	300	-	300		
				C _L = 15 pF; A = 0 V	0.9 – 3.6	0.9 – 3.6	-	180	-	-		-
					0.9 – 3.6	0.9 – 3.6	-	156.7	400	-		400
					1.2 – 1.8	1.2 – 1.8	-	140	300	-		300
1.8 – 2.8	1.8 – 2.8				-	130.2	300	-	300			
1.8 – 3.6	1.8 – 3.6	-	124.6		250	-	250					
I _{I_PEAK}	Input Driver Peak Current	EN = V _{CCA} or = 0 V;								mA		
		A = 1 MHz Sq Wave, Amplitude = V _{CCA}	A	0.9 – 3.6	0.9 – 3.6	-	-	5.0	-		5.0	
		B = 1 MHz Sq Wave, Amplitude = V _{CCB}	B	0.9 – 3.6	0.9 – 3.6	-	-	5.0	-		5.0	

NL3X5004, NL3XN5004

Table 4. TIMING CHARACTERISTICS (continued)

Symbol	Parameter	Test Conditions	V _{CCA} (V)	V _{CCB} (V)	-40°C to +85°C			-40°C to +125°C		Unit	
					Min	Typ (Note 4)	Max	Min	Max		
Z _O (Note 4)	1-Shot Output Impedance		A	0.9 – 3.6	0.9 – 3.6	–	55	–	–	–	Ω
				1.1	1.1 – 3.6	–	37	–	–	–	
				1.8		–	20	–	–	–	
				3.6		–	10	–	–	–	
			B	0.9 – 3.6	0.9 – 3.6	–	55	–	–	–	
				1.1 – 3.6	1.1	–	37	–	–	–	
					1.8	–	20	–	–	–	
					3.6	–	10	–	–	–	

4. Typical values are for T_A = +25°C.

NL3X5004, NL3XN5004

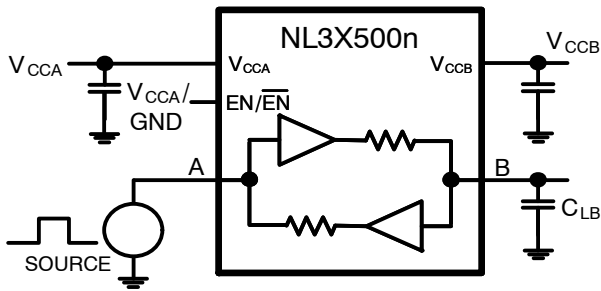


Figure 8. Driving A-Port Test Circuit (t_{PD})

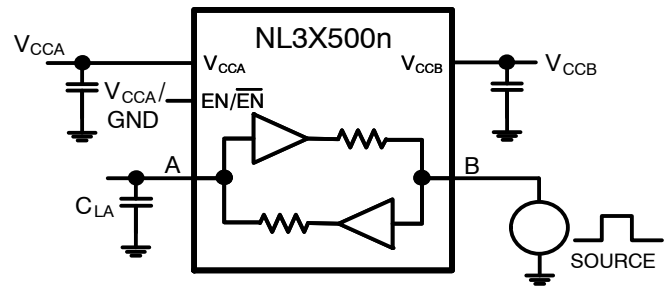


Figure 9. Driving B-Port Test Circuit (t_{PD})

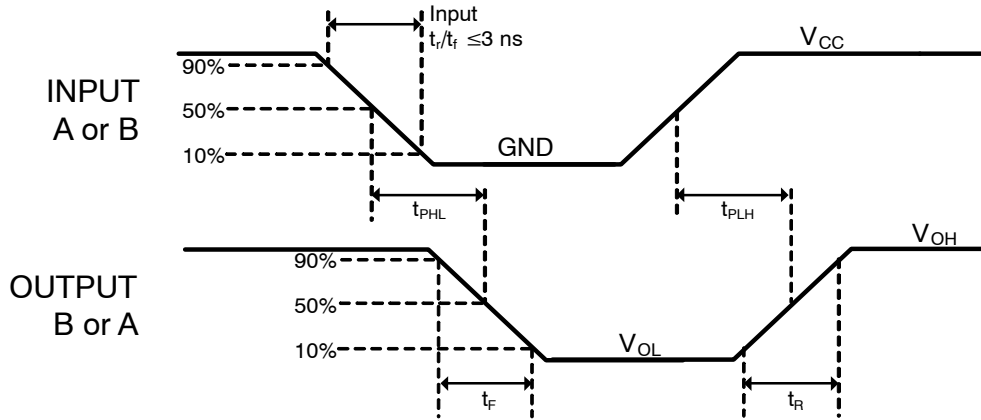


Figure 10. t_{PD} (t_{PLH}/t_{PHL}) Propagation Delay Measurements

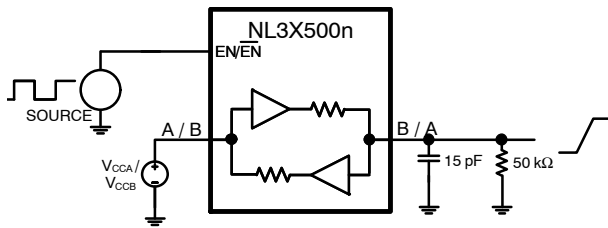


Figure 11. Enable/Disable Test Circuit (t_{PZH}/t_{PHZ})

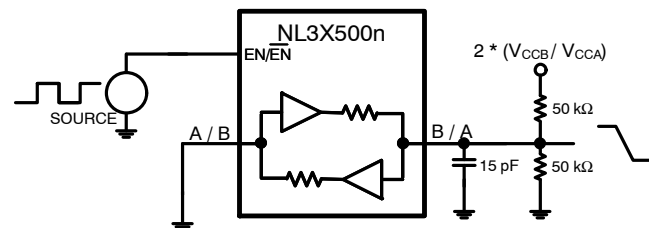


Figure 12. Enable/Disable Test Circuit (t_{PZL}/t_{PLZ})

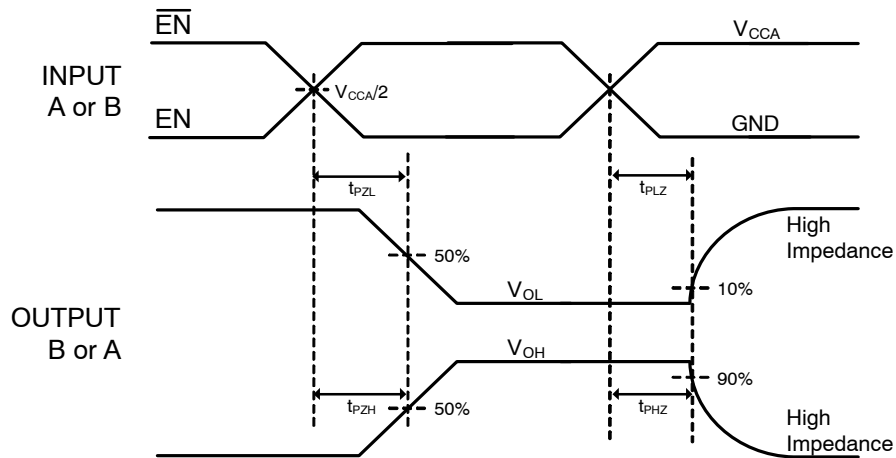


Figure 13. t_{EN}/t_{DIS} ($t_{PZL}/t_{PLZ}/t_{PZH}/t_{PHZ}$) Propagation Delay Measurements

IMPORTANT APPLICATIONS INFORMATION

Level Translator Architecture

The NL3X5004 and the NL3XN5004 auto-sense translators provide bi-directional logic voltage level shifting to transfer data in multiple supply voltage systems. These level translators have two supply voltages, V_{CCA} and V_{CCB} , which set the logic levels on the input and output sides of the translator. When used to transfer data from the A to the B ports, input signals referenced to the V_{CCA} supply are translated to output signals with a logic level matched to V_{CCB} . In a similar manner, the B to A translation shifts input signals with a logic level compatible to V_{CCB} to an output signal matched to V_{CCA} .

The NL3X5004 and the NL3XN5004 translators consist of bi-directional channels that independently determine the direction of the data flow without requiring a directional pin. One-shot circuits are used to detect the rising or falling input signals. In addition, the one-shots decrease the rise and fall times of the output signal for high-to-low and low-to-high transitions.

Input Driver Requirements

The NL3X5004 and NL3XN5004 support high data rates, but these translators have relatively modest DC output current drive. The high data rate of the bi-directional I/O circuit is used to quickly transform from an input to an output driver and vice versa. Each I/O port has a modest DC current output so that the internal output driver can be over-driven when data is sent in the opposite direction. *For proper operation, the input driver to the auto-sense translator should be capable of driving 5.0 mA of peak output current.* The bi-directional configuration of the translator results in both input stages being active for a very short time period. Although the peak current required from the input signal circuit is relatively large, the average current is small and consistent with a standard CMOS input stage.

Enable Input (EN/ \overline{EN})

The NL3X5004 and NL3XN5004 translators have enable pins that provide tri-state operation at the I/O ports.

Driving the NL3X5004 Enable pin (EN) to a low logic level minimizes the power consumption of the device and drives the A- and B-ports to high impedance states. Normal translation operation occurs when the EN pin is equal to a logic high signal.

Driving NL3XN5004 Enable pin (\overline{EN}) to a high logic level minimizes the power consumption of the device and drives the A- and B-ports to high impedance states. Normal translation operation occurs when the \overline{EN} pin is equal to a logic low signal.

Both EN and \overline{EN} pins are referenced to the V_{CCA} supply and are Over-Voltage Tolerant (OVT).

Uni-Directional versus Bi-Directional Translation

The NL3X5004 and NL3XN5004 translators can function as non-inverting uni-directional translators. One advantage of using these translators as uni-directional devices is that each I/O-port can be configured as either an input or an output. The configurable input or output feature is especially useful in applications such as SPI that use multiple uni-directional I/O lines to send data to and from a device. The flexible I/O port of the auto sense translator simplifies the trace connections on the PCB.

Power Supply Guidelines

The values of the V_{CCA} and V_{CCB} supplies can be set to anywhere between 0.9 and 3.6 V. Design flexibility is maximized because V_{CCA} may be either greater than, equal to or less than the V_{CCB} supply.

The sequencing of the power supplies will not damage the device during power-up operation. In addition, the A- and B-ports are in high impedance states if either supply voltage is equal to 0 V. For optimal performance, 0.01 to 0.1 μ F decoupling capacitors should be used on the V_{CCA} and V_{CCB} power supply pins. Ceramic capacitors are a good design choice to filter and bypass any noise signals on the voltage lines to the ground plane of the PCB. The noise immunity will be maximized by placing the capacitors as close as possible to the supply and ground pins, along with minimizing the PCB connection traces.

NL3X5004, NL3XN5004

DEVICE ORDERING INFORMATION

Device Order Number	Device Marking	Package Type	Tape & Reel Size†
NL3X5004MU2TAG	AA2	UQFN-12, 1.7 x 2.0	3000 / Tape & Reel
NL3X5004MU2TAG-Q*	AA2	UQFN-12, 1.7 x 2.0	3000 / Tape & Reel
NL3X5004MN1TXG	V4	QFN14, 3.5 x 3.5 x 0.5P	3000 / Tape & Reel
NL3X5004MN1TXG-Q*	V4	QFN14, 3.5 x 3.5 x 0.5P	3000 / Tape & Reel
NL3X5004DR2G (Contact onsemi)	TBD	SOIC14	2500 / Tape & Reel
NL3X5004DR2G-Q* (Contact onsemi)	TBD	SOIC14	2500 / Tape & Reel
NL3X5004DTR2G (Contact onsemi)	TBD	TSSOP14	2500 / Tape & Reel
NL3X5004DTR2G-Q* (Contact onsemi)	TBD	TSSOP14	2500 / Tape & Reel
NL3X5004MN1ATXG (Contact onsemi)	TBD	QFN14, 2.5 x 3.0 x 0.5P	3000 / Tape & Reel
NL3X5004MN1ATXG-Q* (Contact onsemi)	TBD	QFN14, 2.5 x 3.0 x 0.5P	3000 / Tape & Reel
NL3XN5004MU2TAG (Contact onsemi)	TBD	UQFN-12	3000 / Tape & Reel
NL3XN5004MU2TAG-Q* (Contact onsemi)	TBD	UQFN-12	3000 / Tape & Reel
NL3XN5004DR2G (Contact onsemi)	TBD	SOIC14	2500 / Tape & Reel
NL3XN5004DR2G-Q* (Contact onsemi)	TBD	SOIC14	2500 / Tape & Reel
NL3XN5004DTR2G (Contact onsemi)	TBD	TSSOP14	2500 / Tape & Reel
NL3XN5004DTR2G-Q* (Contact onsemi)	TBD	TSSOP14	2500 / Tape & Reel
NL3XN5004MN1TXG (Contact onsemi)	TBD	QFN14, 3.5 x 3.5 x 0.5P	3000 / Tape & Reel
NL3XN5004MN1TXG-Q* (Contact onsemi)	TBD	QFN14, 3.5 x 3.5 x 0.5P	3000 / Tape & Reel
NL3XN5004MN1ATXG (Contact onsemi)	TBD	QFN14, 2.5 x 3.0 x 0.5P	3000 / Tape & Reel
NL3XN5004MN1ATXG-Q* (Contact onsemi)	TBD	QFN14, 2.5 x 3.0 x 0.5P	3000 / Tape & Reel

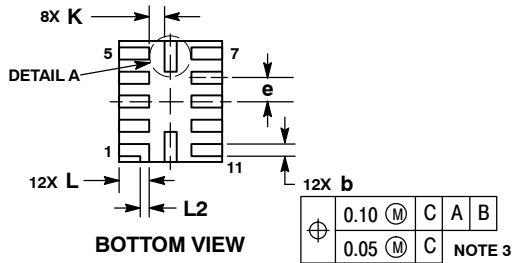
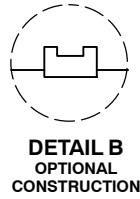
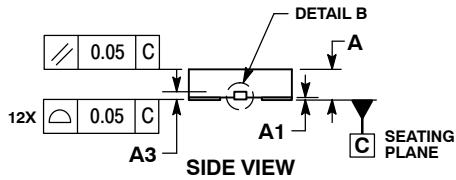
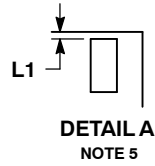
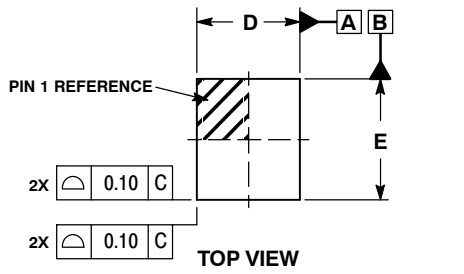
†For information on tape and reel specifications, including part orientation and tape sizes, please refer to our Tape and Reel Packaging Specifications Brochure, BRD8011/D.

*-Q Suffix for Automotive and Other Applications Requiring Unique Site and Control Change Requirements; AEC-Q100 Qualified and PPAP Capable

NL3X5004, NL3XN5004

PACKAGE DIMENSIONS

UQFN12 1.7x2.0, 0.4P CASE 523AE ISSUE A

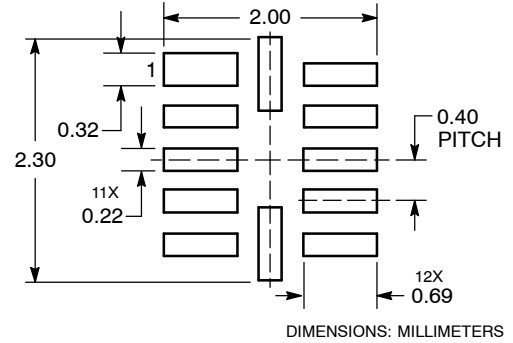


NOTES:

1. DIMENSIONING AND TOLERANCING PER ASME Y14.5M, 1994.
2. CONTROLLING DIMENSION: MILLIMETERS
3. DIMENSION b APPLIES TO PLATED TERMINAL AND IS MEASURED BETWEEN 0.15 AND 0.30 MM FROM TERMINAL TIP.
4. MOLD FLASH ALLOWED ON TERMINALS ALONG EDGE OF PACKAGE. FLASH 0.03 MAX ON BOTTOM SURFACE OF TERMINALS.
5. DETAIL A SHOWS OPTIONAL CONSTRUCTION FOR TERMINALS.

DIM	MILLIMETERS	
	MIN	MAX
A	0.45	0.55
A1	0.00	0.05
A3	0.127 REF	
b	0.15	0.25
D	1.70 BSC	
E	2.00 BSC	
e	0.40 BSC	
K	0.20	---
L	0.45	0.55
L1	0.00	0.03
L2	0.15 REF	

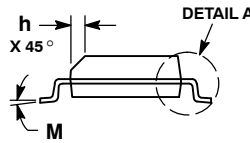
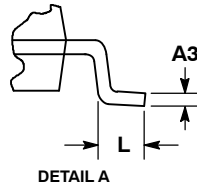
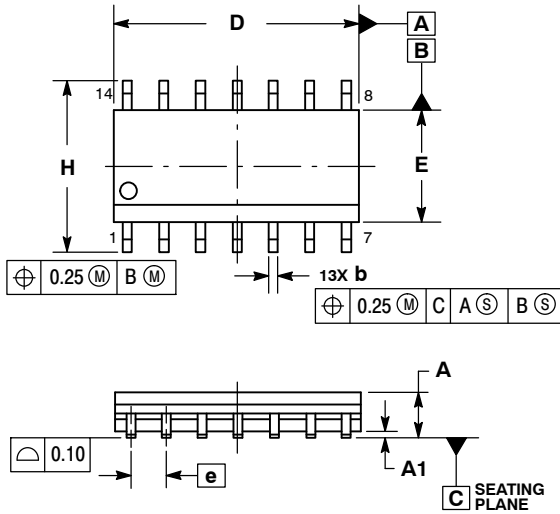
MOUNTING FOOTPRINT SOLDERMASK DEFINED



NL3X5004, NL3XN5004

PACKAGE DIMENSIONS

SOIC-14 NB CASE 751A-03 ISSUE L

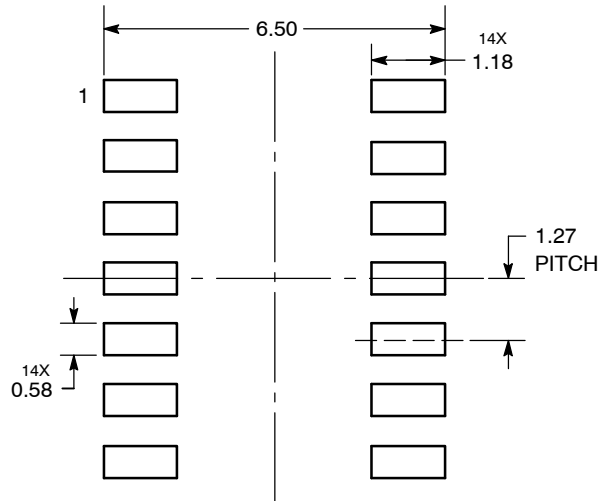


NOTES:

1. DIMENSIONING AND TOLERANCING PER ASME Y14.5M, 1994.
2. CONTROLLING DIMENSION: MILLIMETERS.
3. DIMENSION b DOES NOT INCLUDE DAMBAR PROTRUSION. ALLOWABLE PROTRUSION SHALL BE 0.13 TOTAL IN EXCESS OF AT MAXIMUM MATERIAL CONDITION.
4. DIMENSIONS D AND E DO NOT INCLUDE MOLD PROTRUSIONS.
5. MAXIMUM MOLD PROTRUSION 0.15 PER SIDE.

DIM	MILLIMETERS		INCHES	
	MIN	MAX	MIN	MAX
A	1.35	1.75	0.054	0.068
A1	0.10	0.25	0.004	0.010
A3	0.19	0.25	0.008	0.010
b	0.35	0.49	0.014	0.019
D	8.55	8.75	0.337	0.344
E	3.80	4.00	0.150	0.157
e	1.27 BSC		0.050 BSC	
H	5.80	6.20	0.228	0.244
h	0.25	0.50	0.010	0.019
L	0.40	1.25	0.016	0.049
M	0°	7°	0°	7°

SOLDERING FOOTPRINT*



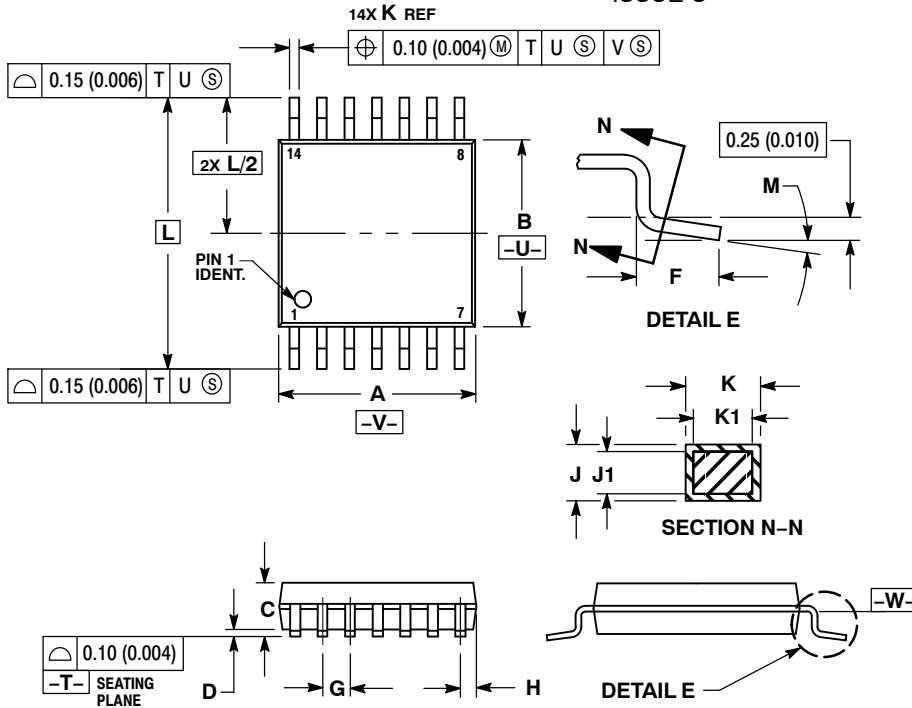
DIMENSIONS: MILLIMETERS

*For additional information on our Pb-Free strategy and soldering details, please download the **onsemi** Soldering and Mounting Techniques Reference Manual, SOLDERRM/D.

NL3X5004, NL3XN5004

PACKAGE DIMENSIONS

TSSOP-14 WB CASE 948G ISSUE C

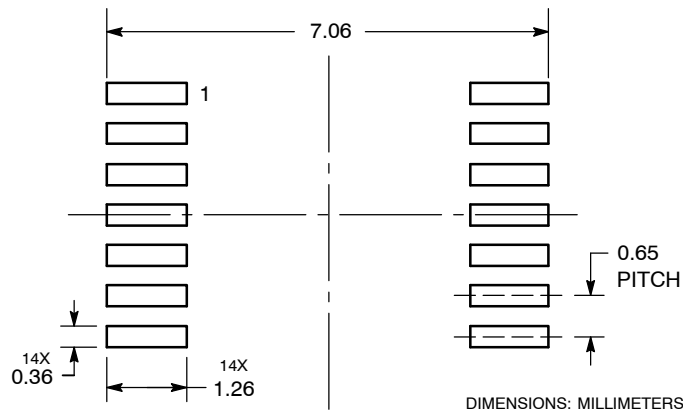


NOTES:

1. DIMENSIONING AND TOLERANCING PER ANSI Y14.5M, 1982.
2. CONTROLLING DIMENSION: MILLIMETER.
3. DIMENSION A DOES NOT INCLUDE MOLD FLASH, PROTRUSIONS OR GATE BURRS. MOLD FLASH OR GATE BURRS SHALL NOT EXCEED 0.15 (0.006) PER SIDE.
4. DIMENSION B DOES NOT INCLUDE INTERLEAD FLASH OR PROTRUSION. INTERLEAD FLASH OR PROTRUSION SHALL NOT EXCEED 0.25 (0.010) PER SIDE.
5. DIMENSION K DOES NOT INCLUDE DAMBAR PROTRUSION. ALLOWABLE DAMBAR PROTRUSION SHALL BE 0.08 (0.003) TOTAL IN EXCESS OF THE K DIMENSION AT MAXIMUM MATERIAL CONDITION.
6. TERMINAL NUMBERS ARE SHOWN FOR REFERENCE ONLY.
7. DIMENSION A AND B ARE TO BE DETERMINED AT DATUM PLANE -W-.

DIM	MILLIMETERS		INCHES	
	MIN	MAX	MIN	MAX
A	4.90	5.10	0.193	0.200
B	4.30	4.50	0.169	0.177
C	---	1.20	---	0.047
D	0.05	0.15	0.002	0.006
F	0.50	0.75	0.020	0.030
G	0.65 BSC		0.026 BSC	
H	0.50	0.60	0.020	0.024
J	0.09	0.20	0.004	0.008
J1	0.09	0.16	0.004	0.006
K	0.19	0.30	0.007	0.012
K1	0.19	0.25	0.007	0.010
L	6.40 BSC		0.252 BSC	
M	0° - 8°		0° - 8°	

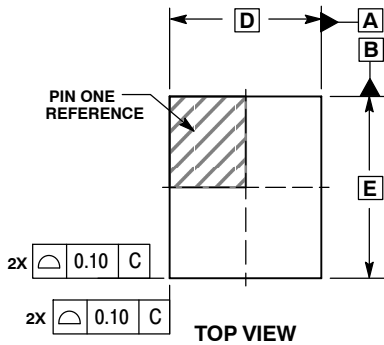
SOLDERING FOOTPRINT



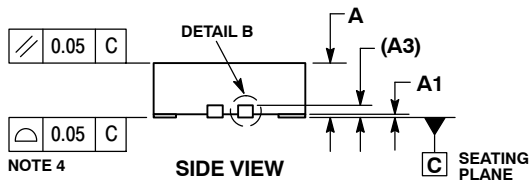
NL3X5004, NL3XN5004

PACKAGE DIMENSIONS

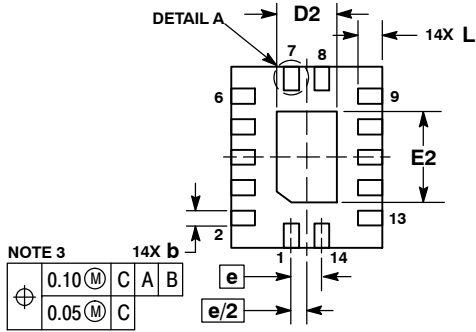
QFN14, 2.5x3.0, 0.5P
CASE 485DE
ISSUE O



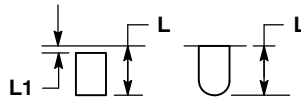
TOP VIEW



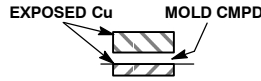
SIDE VIEW



BOTTOM VIEW



DETAIL A
ALTERNATE TERMINAL
CONSTRUCTIONS



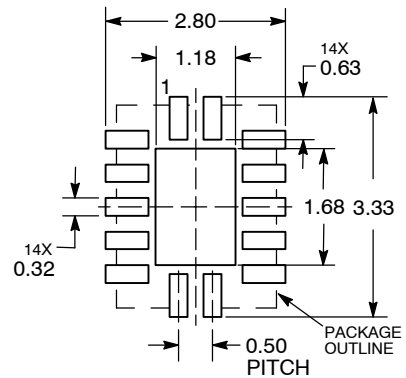
DETAIL B
ALTERNATE
CONSTRUCTIONS

NOTES:

1. DIMENSIONING AND TOLERANCING PER ASME Y14.5M, 1994.
2. CONTROLLING DIMENSION: MILLIMETERS.
3. DIMENSIONS b APPLIES TO PLATED TERMINAL AND IS MEASURED BETWEEN 0.15 AND 0.25MM FROM THE TERMINAL TIP.
4. COPLANARITY APPLIES TO THE EXPOSED PAD AS WELL AS THE TERMINALS.

MILLIMETERS		
DIM	MIN	MAX
A	0.80	1.00
A1	0.00	0.05
A3	0.20	REF
b	0.20	0.30
D	2.50	BSC
D2	0.90	1.10
E	3.00	BSC
E2	1.40	1.60
e	0.50	BSC
L	0.30	0.50
L1	---	0.05

RECOMMENDED SOLDERING FOOTPRINT*



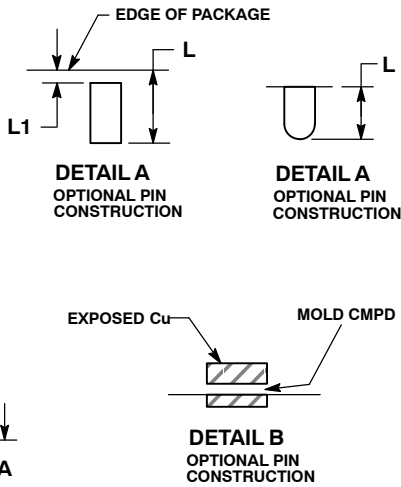
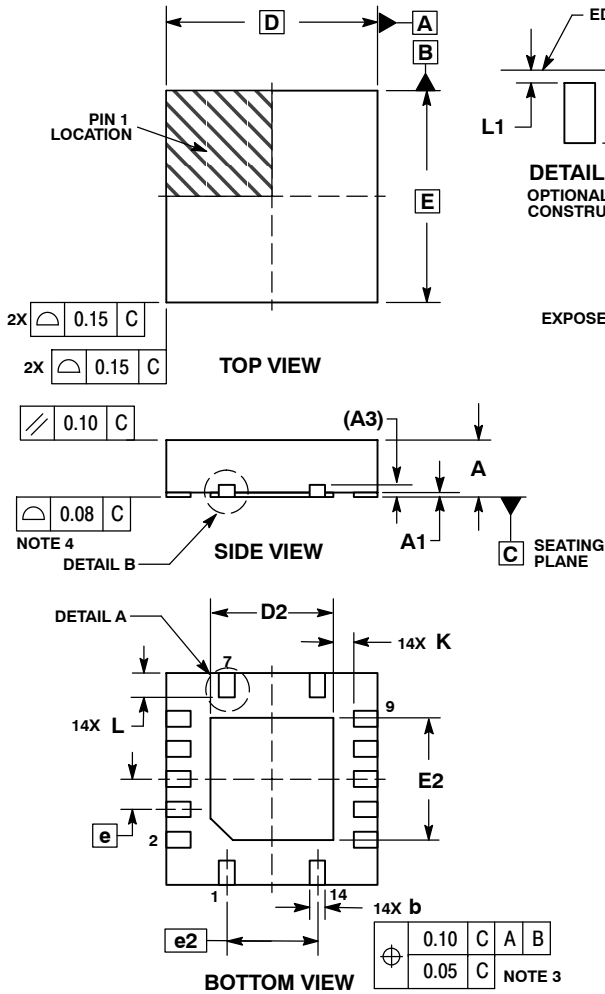
DIMENSIONS: MILLIMETERS

*For additional information on our Pb-Free strategy and soldering details, please download the **onsemi** Soldering and Mounting Techniques Reference Manual, SOLDERRM/D.

NL3X5004, NL3XN5004

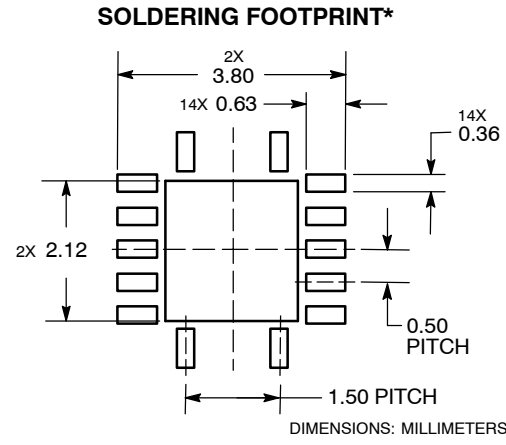
PACKAGE DIMENSIONS

QFN14 3.5x3.5, 0.5P CASE 485AL ISSUE O



- NOTES:
1. DIMENSIONING AND TOLERANCING PER ASME Y14.5M, 1994.
 2. CONTROLLING DIMENSION: MILLIMETERS.
 3. DIMENSION b APPLIES TO PLATED TERMINAL AND IS MEASURED BETWEEN 0.15 AND 0.30 MM FROM TERMINAL TIP.
 4. COPLANARITY APPLIES TO THE EXPOSED PAD AS WELL AS THE TERMINALS.

DIM	MILLIMETERS	
	MIN	MAX
A	0.80	1.00
A1	0.00	0.05
A3	0.20	REF
b	0.18	0.30
D	3.50	BSC
D2	1.90	2.15
E	3.50	BSC
E2	1.90	2.15
e	0.50	BSC
e2	1.50	BSC
K	0.20	---
L	0.30	0.50
L1	0.00	0.03



*For additional information on our Pb-Free strategy and soldering details, please download the **onsemi** Soldering and Mounting Techniques Reference Manual, SOLDERRM/D.

onsemi, Onsemi, and other names, marks, and brands are registered and/or common law trademarks of Semiconductor Components Industries, LLC dba "onsemi" or its affiliates and/or subsidiaries in the United States and/or other countries. onsemi owns the rights to a number of patents, trademarks, copyrights, trade secrets, and other intellectual property. A listing of onsemi's product/patent coverage may be accessed at www.onsemi.com/site/pdf/Patent-Marketing.pdf. onsemi reserves the right to make changes at any time to any products or information herein, without notice. The information herein is provided "as-is" and onsemi makes no warranty, representation or guarantee regarding the accuracy of the information, product features, availability, functionality, or suitability of its products for any particular purpose, nor does onsemi assume any liability arising out of the application or use of any product or circuit, and specifically disclaims any and all liability, including without limitation special, consequential or incidental damages. Buyer is responsible for its products and applications using onsemi products, including compliance with all laws, regulations and safety requirements or standards, regardless of any support or applications information provided by onsemi. "Typical" parameters which may be provided in onsemi data sheets and/or specifications can and do vary in different applications and actual performance may vary over time. All operating parameters, including "Typicals" must be validated for each customer application by customer's technical experts. onsemi does not convey any license under any of its intellectual property rights nor the rights of others. onsemi products are not designed, intended, or authorized for use as a critical component in life support systems or any FDA Class 3 medical devices or medical devices with a same or similar classification in a foreign jurisdiction or any devices intended for implantation in the human body. Should Buyer purchase or use onsemi products for any such unintended or unauthorized application, Buyer shall indemnify and hold onsemi and its officers, employees, subsidiaries, affiliates, and distributors harmless against all claims, costs, damages, and expenses, and reasonable attorney fees arising out of, directly or indirectly, any claim of personal injury or death associated with such unintended or unauthorized use, even if such claim alleges that onsemi was negligent regarding the design or manufacture of the part. onsemi is an Equal Opportunity/Affirmative Action Employer. This literature is subject to all applicable copyright laws and is not for resale in any manner.

ADDITIONAL INFORMATION

TECHNICAL PUBLICATIONS:
 Technical Library: www.onsemi.com/design/resources/technical-documentation
 onsemi Website: www.onsemi.com

ONLINE SUPPORT: www.onsemi.com/support
 For additional information, please contact your local Sales Representative at www.onsemi.com/support/sales