

# ON Semiconductor

## Is Now

# onsemi™

To learn more about onsemi™, please visit our website at  
[www.onsemi.com](http://www.onsemi.com)

---

**onsemi** and **onsemi** and other names, marks, and brands are registered and/or common law trademarks of Semiconductor Components Industries, LLC dba "**onsemi**" or its affiliates and/or subsidiaries in the United States and/or other countries. **onsemi** owns the rights to a number of patents, trademarks, copyrights, trade secrets, and other intellectual property. A listing of **onsemi** product/patent coverage may be accessed at [www.onsemi.com/site/pdf/Patent-Marking.pdf](http://www.onsemi.com/site/pdf/Patent-Marking.pdf). **onsemi** reserves the right to make changes at any time to any products or information herein, without notice. The information herein is provided "as-is" and **onsemi** makes no warranty, representation or guarantee regarding the accuracy of the information, product features, availability, functionality, or suitability of its products for any particular purpose, nor does **onsemi** assume any liability arising out of the application or use of any product or circuit, and specifically disclaims any and all liability, including without limitation special, consequential or incidental damages. Buyer is responsible for its products and applications using **onsemi** products, including compliance with all laws, regulations and safety requirements or standards, regardless of any support or applications information provided by **onsemi**. "Typical" parameters which may be provided in **onsemi** data sheets and/or specifications can and do vary in different applications and actual performance may vary over time. All operating parameters, including "Typicals" must be validated for each customer application by customer's technical experts. **onsemi** does not convey any license under any of its intellectual property rights nor the rights of others. **onsemi** products are not designed, intended, or authorized for use as a critical component in life support systems or any FDA Class 3 medical devices or medical devices with a same or similar classification in a foreign jurisdiction or any devices intended for implantation in the human body. Should Buyer purchase or use **onsemi** products for any such unintended or unauthorized application, Buyer shall indemnify and hold **onsemi** and its officers, employees, subsidiaries, affiliates, and distributors harmless against all claims, costs, damages, and expenses, and reasonable attorney fees arising out of, directly or indirectly, any claim of personal injury or death associated with such unintended or unauthorized use, even if such claim alleges that **onsemi** was negligent regarding the design or manufacture of the part. **onsemi** is an Equal Opportunity/Affirmative Action Employer. This literature is subject to all applicable copyright laws and is not for resale in any manner. Other names and brands may be claimed as the property of others.



Is Now Part of



**ON Semiconductor®**

To learn more about ON Semiconductor, please visit our website at  
[www.onsemi.com](http://www.onsemi.com)

Please note: As part of the Fairchild Semiconductor integration, some of the Fairchild orderable part numbers will need to change in order to meet ON Semiconductor's system requirements. Since the ON Semiconductor product management systems do not have the ability to manage part nomenclature that utilizes an underscore (\_), the underscore (\_) in the Fairchild part numbers will be changed to a dash (-). This document may contain device numbers with an underscore (\_). Please check the ON Semiconductor website to verify the updated device numbers. The most current and up-to-date ordering information can be found at [www.onsemi.com](http://www.onsemi.com). Please email any questions regarding the system integration to [Fairchild\\_questions@onsemi.com](mailto:Fairchild_questions@onsemi.com).

ON Semiconductor and the ON Semiconductor logo are trademarks of Semiconductor Components Industries, LLC dba ON Semiconductor or its subsidiaries in the United States and/or other countries. ON Semiconductor owns the rights to a number of patents, trademarks, copyrights, trade secrets, and other intellectual property. A listing of ON Semiconductor's product/patent coverage may be accessed at [www.onsemi.com/site/pdf/Patent-Marking.pdf](http://www.onsemi.com/site/pdf/Patent-Marking.pdf). ON Semiconductor reserves the right to make changes without further notice to any products herein. ON Semiconductor makes no warranty, representation or guarantee regarding the suitability of its products for any particular purpose, nor does ON Semiconductor assume any liability arising out of the application or use of any product or circuit, and specifically disclaims any and all liability, including without limitation special, consequential or incidental damages. Buyer is responsible for its products and applications using ON Semiconductor products, including compliance with all laws, regulations and safety requirements or standards, regardless of any support or applications information provided by ON Semiconductor. "Typical" parameters which may be provided in ON Semiconductor data sheets and/or specifications can and do vary in different applications and actual performance may vary over time. All operating parameters, including "Typicals" must be validated for each customer application by customer's technical experts. ON Semiconductor does not convey any license under its patent rights nor the rights of others. ON Semiconductor products are not designed, intended, or authorized for use as a critical component in life support systems or any FDA Class 3 medical devices or medical devices with a same or similar classification in a foreign jurisdiction or any devices intended for implantation in the human body. Should Buyer purchase or use ON Semiconductor products for any such unintended or unauthorized application, Buyer shall indemnify and hold ON Semiconductor and its officers, employees, subsidiaries, affiliates, and distributors harmless against all claims, costs, damages, and expenses, and reasonable attorney fees arising out of, directly or indirectly, any claim of personal injury or death associated with such unintended or unauthorized use, even if such claim alleges that ON Semiconductor was negligent regarding the design or manufacture of the part. ON Semiconductor is an Equal Opportunity/Affirmative Action Employer. This literature is subject to all applicable copyright laws and is not for resale in any manner.

# FSEZ1016A

## Primary-Side-Regulation PWM Integrated Power MOSFET

### Features

- Constant-Voltage (CV) and Constant-Current (CC) Control without Secondary-Feedback Circuitry
- Accurate Constant Current Achieved by Fairchild's Proprietary *TRUECURRENT*® Technique
- Green Mode: Frequency Reduction at Light-Load
- Fixed PWM Frequency at 43 kHz with Frequency Hopping to Reduce EMI
- Low Startup Current: 10  $\mu$ A Maximum
- Low Operating Current: 3.5 mA
- Peak-Current-Mode Control in CV Mode
- Cycle-by-Cycle Current Limiting
- Over-Temperature Protection (OTP) with Auto-Restart
- Brownout Protection with Auto-Restart
- $V_{DD}$  Over-Voltage Protection (OVP) with Auto-Restart
- $V_{DD}$  Under-Voltage Lockout (UVLO)
- SOIC-7 Package

### Applications

- Battery Chargers for Cellular Phones, Cordless Phones, PDAs, Digital Cameras, Power Tools
- Replaces Linear Transformer and RCC SMPS
- Offline High Brightness (HB) LED Drivers

### Related Resources

- [AN-6067 Design Guide for FAN100/102 and FSEZ1016A/1216](#)

### Description

This primary-side PWM integrated power MOSFET significantly simplifies power supply designs that require CV and CC regulation capabilities. FSEZ1016A controls the output voltage and current precisely with only the information in the primary side of the power supply, not only removing the output current sensing loss, but also eliminating all secondary feedback circuitry.

The green-mode function with a low startup current (10 $\mu$ A) maximizes the light-load efficiency so the power supply can meet stringent standby power regulations.

Compared with conventional secondary-side regulation approach; the FSEZ1016A can reduce total cost, component count, size, and weight; while simultaneously increasing efficiency, productivity, and system reliability.

FSEZ1016A is available in a 7-pin SOIC package.

A typical output CV/CC characteristic envelope is shown in Figure 1.

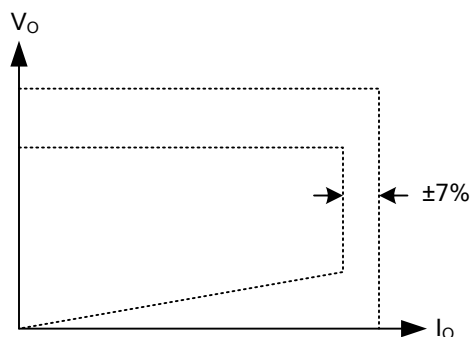


Figure 1. Typical Output V-I Characteristic

### Ordering Information

Part Number	Operating Temperature Range	MOSFET $BV_{DSS}$	MOSFET $R_{DS(ON)}$	Package	Packing Method
FSEZ1016AMY	-40°C to +125°C	600 V	9.3 $\Omega$ (Typical)	7-Lead, Small Outline Integrated Circuit Package (SOIC)	Tape & Reel

## Application Diagram

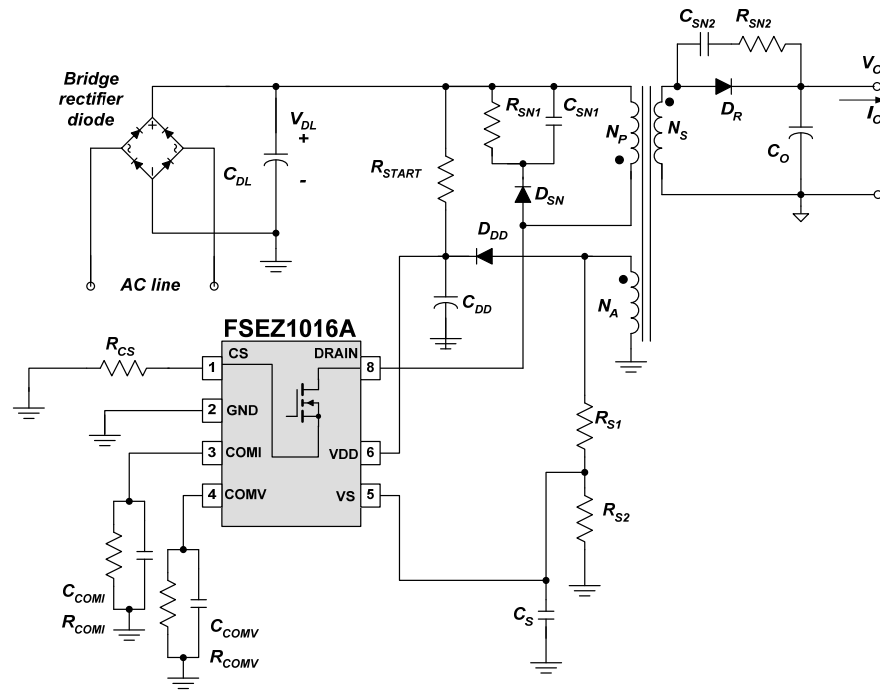


Figure 2. Typical Application

## Internal Block Diagram

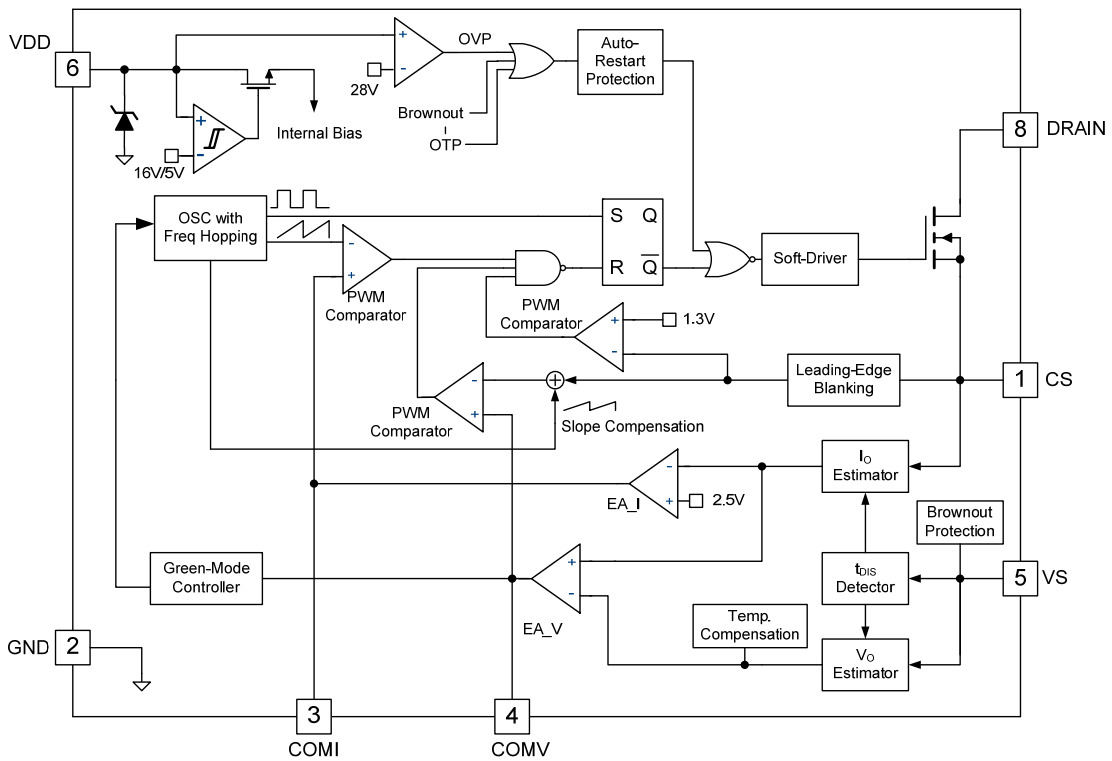
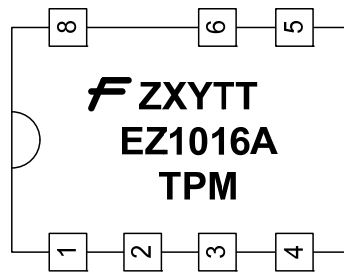


Figure 3. Functional Block Diagram

## Marking Information



F - Fairchild Logo  
 Z - Plant Code  
 X - 1-Digit Year Code  
 Y - 1-Digit Week Code  
 TT - 2-Digit Die Run Code  
 T - Package Type (M=SOIC)  
 P - Y: Green Package  
 M - Manufacture Flow Code

Figure 4. Top Mark

## Pin Configuration

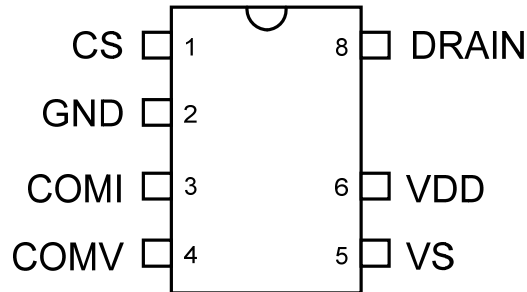


Figure 5. Pin Configuration

## Pin Definitions

Pin #	Name	Description
1	CS	<b>Current Sense.</b> This pin connects a current sense resistor to sense the MOSFET current for peak-current-mode control in CV mode and provides for output-current regulation in CC mode.
2	GND	<b>Ground.</b>
3	COMI	<b>Constant Current Loop Compensation.</b> This pin connects a capacitor and a resistor between COMI and GND for compensation current loop gain.
4	COMV	<b>Constant Voltage Loop Compensation.</b> This pin connects a capacitor and a resistor between COMV and GND for compensation voltage loop gain.
5	VS	<b>Voltage Sense.</b> This pin detects the output voltage information and discharge time base on voltage of auxiliary winding. This pin connected two divider resistors and one capacitor.
6	VDD	<b>Supply.</b> The power supply pin. IC operating current and MOSFET driving current are supplied using this pin. This pin is connected to an external $V_{DD}$ capacitor of typically 10 $\mu$ F. The threshold voltages for startup and turn-off are 16 V and 5 V, respectively. The operating current is lower than 5 mA.
7	NC	No connection.
8	DRAIN	<b>Drain.</b> This pin is the high-voltage power MOSFET drain.

## Absolute Maximum Ratings

Stresses exceeding the absolute maximum ratings may damage the device. The device may not function or be operable above the recommended operating conditions and stressing the parts to these levels is not recommended. In addition, extended exposure to stresses above the recommended operating conditions may affect device reliability. The absolute maximum ratings are stress ratings only.

Symbol	Parameter	Min.	Max.	Unit
V <sub>DD</sub>	DC Supply Voltage <sup>(1,2)</sup>		30	V
V <sub>VS</sub>	VS Pin Input Voltage	-0.3	7.0	V
V <sub>CS</sub>	CS Pin Input Voltage	-0.3	7.0	V
V <sub>COMV</sub>	Voltage-Error Amplifier Output Voltage	-0.3	7.0	V
V <sub>COMI</sub>	Voltage-Error Amplifier Output Voltage	-0.3	7.0	V
V <sub>DS</sub>	Drain-Source Voltage		600	V
I <sub>D</sub>	Continuous Drain Current	T <sub>C</sub> =25°C	1.0	A
		T <sub>C</sub> =100°C	0.6	A
I <sub>DM</sub>	Pulsed Drain Current		4	A
E <sub>AS</sub>	Single Pulse Avalanche Energy		33	mJ
I <sub>AR</sub>	Avalanche Current		1	A
P <sub>D</sub>	Power Dissipation (T <sub>A</sub> < 50°C)		660	mW
θ <sub>JA</sub>	Thermal Resistance (Junction-to-Air)		153	°C/W
θ <sub>JC</sub>	Thermal Resistance (Junction-to-Case)		39	°C/W
T <sub>J</sub>	Operating Junction Temperature	-40	+150	°C
T <sub>STG</sub>	Storage Temperature Range	-55	+150	°C
T <sub>L</sub>	Lead Temperature (Wave Soldering or IR, 10 Seconds)		+260	°C
ESD	Electrostatic Discharge Capability	Human Body Model, JEDEC: JESD22-A114	2	kV
		Charged Device Model, JEDEC: JESD22-C101	2	

### Notes:

1. Stresses beyond those listed under Absolute Maximum Ratings may cause permanent damage to the device.
2. All voltage values, except differential voltages, are given with respect to GND pin.

## Recommended Operating Conditions

The Recommended Operating Conditions table defines the conditions for actual device operation. Recommended operating conditions are specified to ensure optimal performance to the datasheet specifications. Fairchild does not recommend exceeding them or designing to Absolute Maximum Ratings.

Symbol	Parameter	Conditions	Min.	Typ.	Max.	Unit
T <sub>A</sub>	Operating Ambient Temperature		-40		+125	°C

## Electrical Characteristics

$V_{DD}=15V$  and  $T_A=-40^{\circ}C\sim+125^{\circ}C$  ( $T_A=T_J$ ), unless otherwise specified.

Symbol	Parameter	Conditions	Min.	Typ.	Max.	Units	
<b>V<sub>DD</sub> Section</b>							
V <sub>OP</sub>	Continuously-Operating Voltage				25	V	
V <sub>DD-ON</sub>	Turn-On Threshold Voltage		15	16	17	V	
V <sub>DD-OFF</sub>	Turn-Off Threshold Voltage		4.5	5.0	5.5	V	
I <sub>DD-ST</sub>	Startup Current	$0 < V_{DD} < V_{DD-ON} - 0.16 V$		3.7	10.0	μA	
I <sub>DD-OP</sub>	Operating Current	$V_{DD}=20 V, f_s=f_{OSC}$ $V_{VS}=2 V, V_{CS}=3 V$ $C_L=1 nF$		3.5	5.0	mA	
I <sub>DD-GREEN</sub>	Green Mode Operating Supply Current	$V_{DD}=20 V, V_{VS}=2.7 V$ $C_L=1 nF, V_{COMV}=0 V$ $f_s=f_{OSC-N-MIN}, V_{CS}=0 V$		1.0	2.5	mA	
V <sub>DD-OVP</sub>	V <sub>DD</sub> OVP Level	$V_{CS}=3 V, V_{VS}=2.3 V$	27	28	29	V	
t <sub>D-VDDOVP</sub>	V <sub>DD</sub> OVP Debounce Time	$f_s=f_{OSC}, V_{VS}=2.3V$	100	250	400	μs	
<b>Oscillator Section</b>							
f <sub>OSC</sub>	Frequency	Center Frequency	T <sub>A</sub> =25°C	40	43	46	KHz
		Frequency Hopping Range	T <sub>A</sub> =25°C	±1.8	±2.6	±3.6	
f <sub>FHR</sub>	Frequency Hopping Period	T <sub>A</sub> =25°C		3		ms	
f <sub>OSC-N-MIN</sub>	Minimum Frequency at No-Load	$V_{VS}=2.7 V, V_{COMV}=0 V$		550		Hz	
f <sub>OSC-CM-MIN</sub>	Minimum Frequency at CCM	$V_{VS}=2.3 V, V_{CS}=0.5 V$		20		KHz	
f <sub>DV</sub>	Frequency Variation vs. V <sub>DD</sub> Deviation	T <sub>A</sub> =25°C, V <sub>DD</sub> =10 V to 25 V			5	%	
f <sub>DT</sub>	Frequency Variation vs. Temperature Deviation	T <sub>A</sub> =-40°C to +125°C			20	%	
<b>Voltage-Sense Section</b>							
I <sub>VS-UVP</sub>	Sink Current for Brownout Protection	R <sub>VS</sub> =20 kΩ		180		μA	
I <sub>tc</sub>	IC Compensation Bias Current			9.5		μA	
V <sub>BIAS-COMV</sub>	Adaptive Bias Voltage Dominated by V <sub>COMV</sub>	$V_{COMV}=0 V, T_A=25^{\circ}C,$ $R_{VS}=20 K\Omega$		1.4		V	
<b>Current-Sense Section</b>							
t <sub>PD</sub>	Propagation Delay to Gate Output			100	200	ns	
t <sub>MIN-N</sub>	Minimum On Time at No-Load	$V_{VS}= -0.8 V, R_{CS}=2 k\Omega$ $V_{COMV}=1 V$		1100		ns	
t <sub>MINCC</sub>	Minimum On Time in CC Mode	$V_{VS}=0 V, V_{COMV}=2 V$		300		ns	
V <sub>TH</sub>	Threshold Voltage for Current Limit			1.3		V	
<b>Current-Error-Amplifier Section</b>							
V <sub>IR</sub>	Reference Voltage		2.475	2.500	2.525	V	
I <sub>I-SINK</sub>	Output Sink Current	$V_{CS}=3 V, V_{COMI}=2.5 V$		55		μA	
I <sub>I-SOURCE</sub>	Output Source Current	$V_{CS}=0 V, V_{COMI}=2.5 V$		55		μA	
V <sub>I-HGH</sub>	Output High Voltage	$V_{CS}=0 V$	4.5			V	

Continued on the following page...

### Electrical Characteristics (Continued)

$V_{DD}=15\text{ V}$  and  $T_A=-40^\circ\text{C}\sim+125^\circ\text{C}$  ( $T_A=T_J$ ), unless otherwise specified.

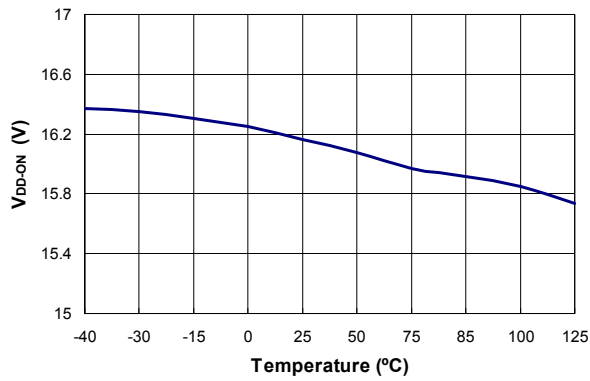
Symbol	Parameter	Conditions	Min.	Typ.	Max.	Units
<b>Voltage-Error-Amplifier Section</b>						
$V_{VR}$	Reference Voltage		2.475	2.500	2.525	V
$V_N$	Green-Mode Starting Voltage on COMV Pin	$f_s=f_{OSC}=2\text{ KHz}$ , $V_{VS}=2.3\text{ V}$		2.8		V
$V_G$	Green-Mode Ending Voltage on COMV Pin	$f_s=1\text{ KHz}$		0.8		V
$I_{V-SINK}$	Output Sink Current	$V_{VS}=3\text{ V}$ , $V_{COMV}=2.5\text{ V}$		90		$\mu\text{A}$
$I_{V-SOURCE}$	Output Source Current	$V_{VS}=2\text{ V}$ , $V_{COMV}=2.5\text{ V}$		90		$\mu\text{A}$
$V_{V-HGH}$	Output High Voltage	$V_{VS}=2.3\text{ V}$	4.5			V
<b>Internal MOSFET Section</b>						
$DCY_{MAX}$	Maximum Duty Cycle			75		%
$BV_{DSS}$	Drain-Source Breakdown Voltage	$I_D=250\text{ }\mu\text{A}$ , $V_{GS}=0\text{ V}$	600			V
$\Delta BV_{DSS} / \Delta T_J$	Breakdown Voltage Temperature Coefficient	$I_D=250\text{ }\mu\text{A}$ , Referenced to $25^\circ\text{C}$		0.6		$\text{V}/^\circ\text{C}$
$I_S$	Maximum Continuous Drain-Source Diode Forward Current				1	A
$I_{SM}$	Maximum Pulsed Drain-Source Diode Forward Current				4	A
$R_{DS(ON)}$	Static Drain-Source On-Resistance	$I_D=0.5\text{ A}$ , $V_{GS}=10\text{ V}$		9.3	11.5	$\Omega$
$I_{DSS}$	Drain-Source Leakage Current	$V_{DS}=600\text{ V}$ , $V_{GS}=0\text{ V}$ , $T_C=25^\circ\text{C}$			1	$\mu\text{A}$
		$V_{DS}=480\text{ V}$ , $V_{GS}=0\text{ V}$ , $T_C=100^\circ\text{C}$			10	$\mu\text{A}$
$t_{D-ON}$	Turn-On Delay Time <sup>(3,4)</sup>	$V_{DS}=300\text{ V}$ , $I_D=1.1\text{ A}$ , $R_G=25\text{ }\Omega$		7	24	ns
$t_r$	Rise Time			21	52	ns
$t_{D-OFF}$	Turn-Off Delay Time			13	36	ns
$t_f$	Fall Time			27	64	ns
$C_{ISS}$	Input Capacitance	$V_{GS}=0\text{ V}$ , $V_{DS}=25\text{ V}$ $f_s=1\text{ MHz}$		130	170	pF
$C_{OSS}$	Output Capacitance			19	25	pF
<b>Over-Temperature-Protection Section</b>						
$T_{OTP}$	Threshold Temperature for OTP			140		$^\circ\text{C}$

**Notes:**

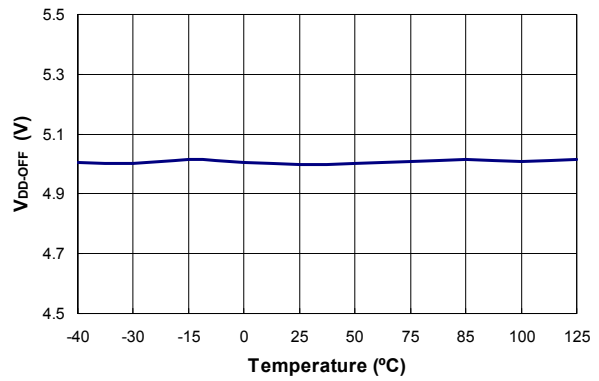
3. Pulse Test: pulse width  $\leq 300\mu\text{s}$ ; duty cycle  $\leq 2\%$ .
4. Essentially independent of operating temperature.



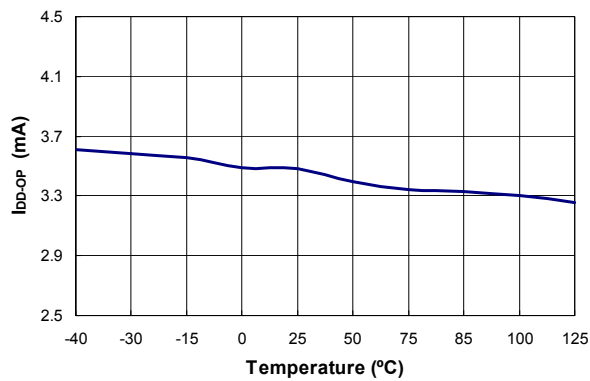
## Typical Performance Characteristics



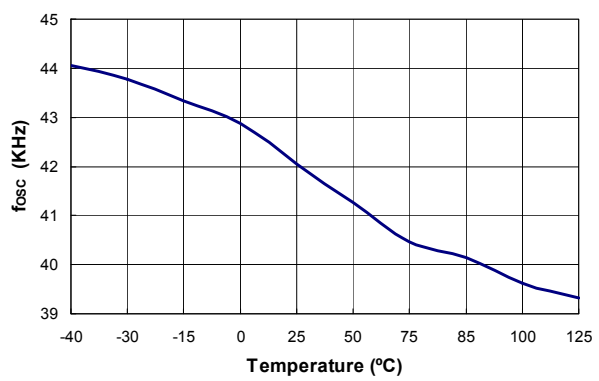
**Figure 6. Turn-On Threshold Voltage (V<sub>DD-ON</sub>) vs. Temperature**



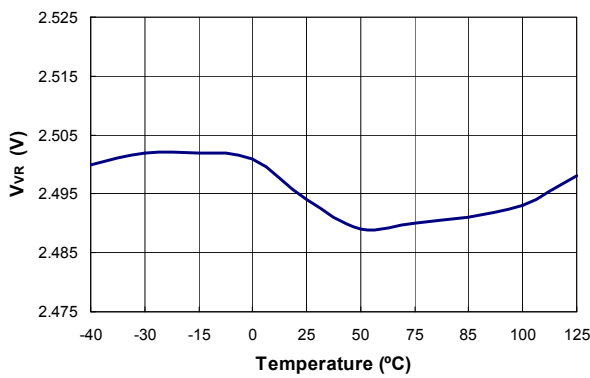
**Figure 7. Turn-Off Threshold Voltage (V<sub>DD-OFF</sub>) vs. Temperature**



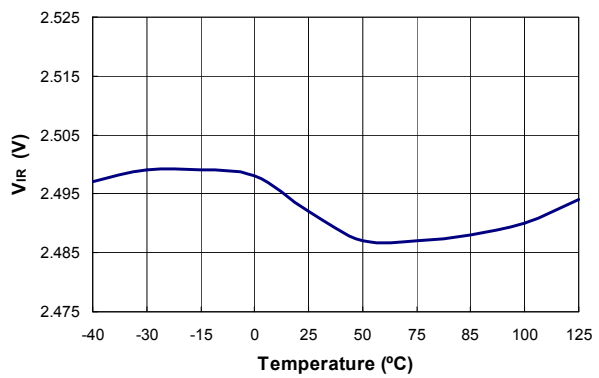
**Figure 8. Operating Current (I<sub>DD-OP</sub>) vs. Temperature**



**Figure 9. Center Frequency (f<sub>OSC</sub>) vs. Temperature**

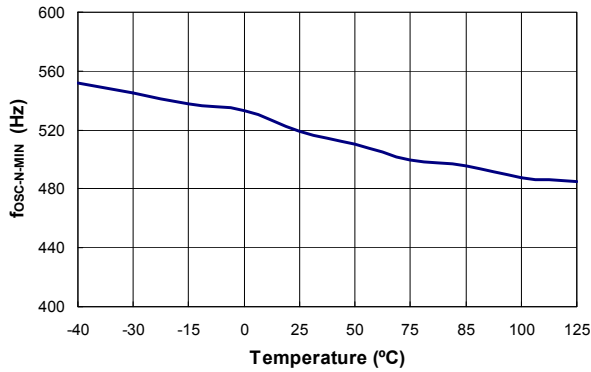


**Figure 10. Reference Voltage (V<sub>VR</sub>) vs. Temperature**

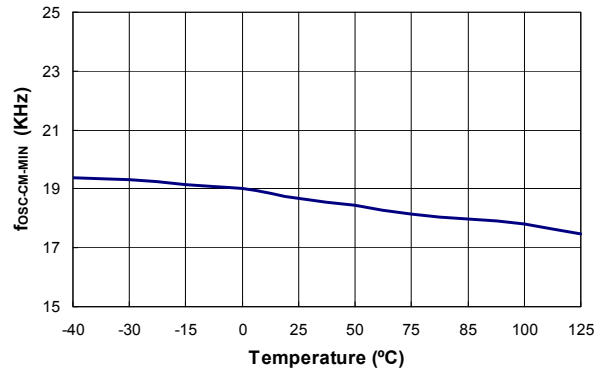


**Figure 11. Reference Voltage (V<sub>IR</sub>) vs. Temperature**

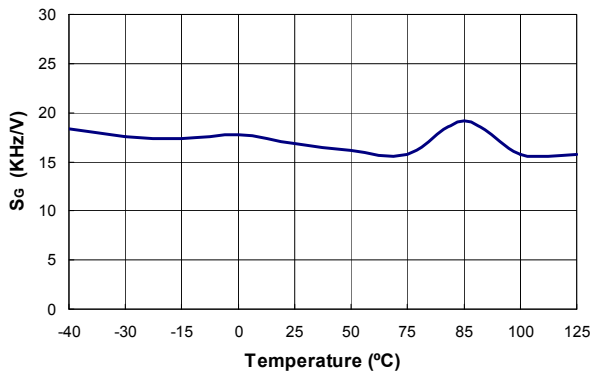
**Typical Performance Characteristics** (Continued)



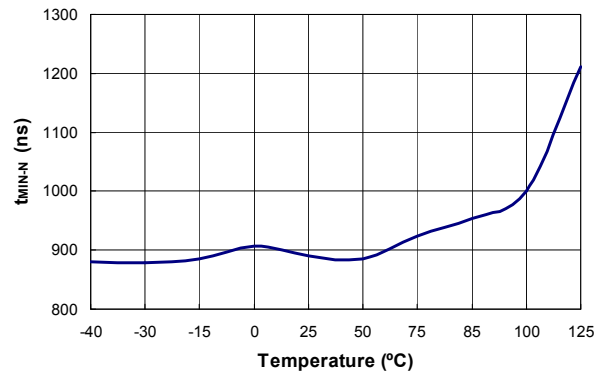
**Figure 12. Minimum Frequency at No Load (f<sub>OSC-N-MIN</sub>) vs. Temperature**



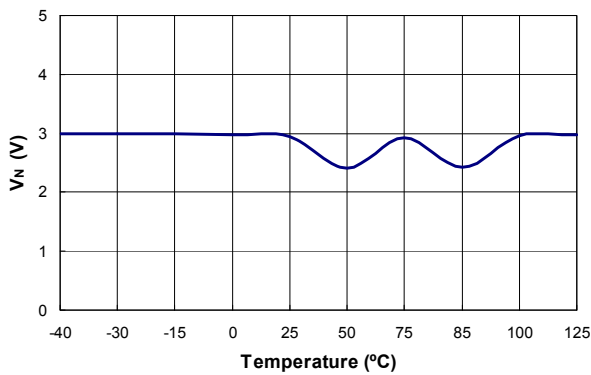
**Figure 13. Minimum Frequency at CCM (f<sub>OSC-CM-MIN</sub>) vs. Temperature**



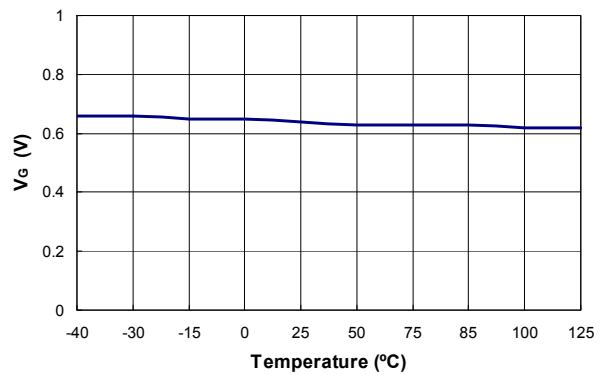
**Figure 14. Green-Mode Frequency Decreasing Rate (S<sub>G</sub>) vs. Temperature**



**Figure 15. Minimum On-Time at No-Load (t<sub>MIN-N</sub>) vs. Temperature**

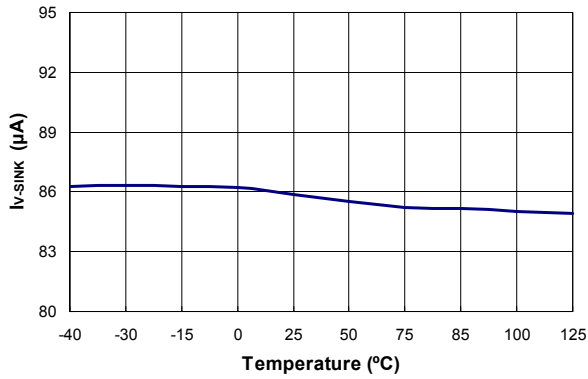


**Figure 16. Green-Mode Starting Voltage on COMV Pin (V<sub>N</sub>) vs. Temperature**

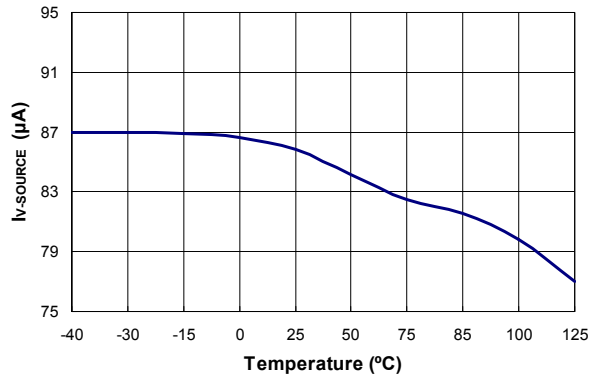


**Figure 17. Green-Mode Ending Voltage on COMV Pin (V<sub>G</sub>) vs. Temperature**

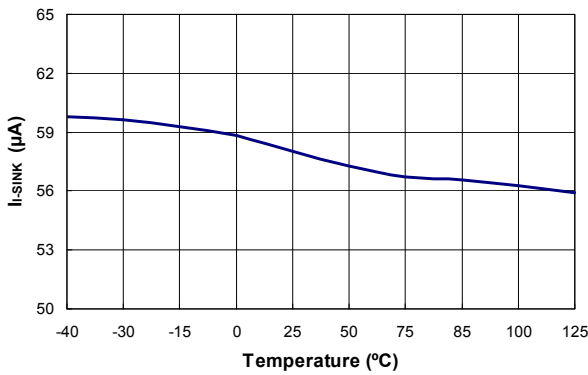
**Typical Performance Characteristics** (Continued)



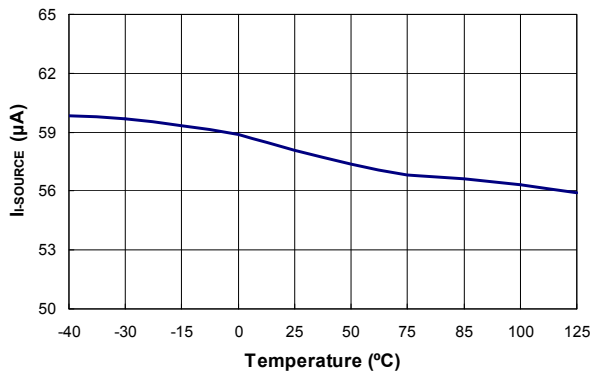
**Figure 18. Output Sink Current ( $I_{V-SINK}$ ) vs. Temperature**



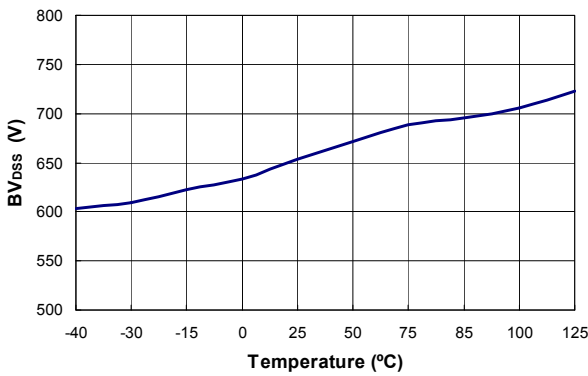
**Figure 19. Output Source Current ( $I_{V-SOURCE}$ ) vs. Temperature**



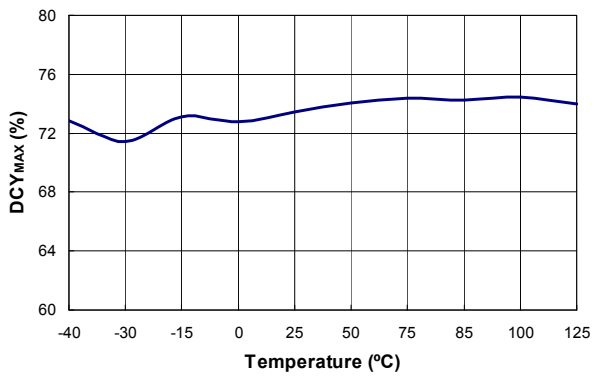
**Figure 20. Output Sink Current ( $I_{I-SINK}$ ) vs. Temperature**



**Figure 21. Output Source Current ( $I_{I-SOURCE}$ ) vs. Temperature**



**Figure 22. Drain-Source Breakdown Voltage ( $BV_{DSS}$ ) vs. Temperature**



**Figure 23. Maximum Duty Cycle ( $DCY_{MAX}$ ) vs. Temperature**



### Temperature Compensation

Built-in temperature compensation provides constant voltage regulation over a wide range of temperature variation. This internal compensation current compensates the forward-voltage drop variation of the secondary-side rectifier diode.

### Green-Mode Operation

The FSEZ1016A uses voltage regulation error amplifier output ( $V_{COMV}$ ) as an indicator of the output load and modulates the PWM frequency, as shown in Figure 26, such that the switching frequency decreases as load decreases. In heavy-load conditions, the switching frequency is fixed at 43 KHz. Once  $V_{COMV}$  decreases below 2.8 V, the PWM frequency starts to linearly decrease from 43 KHz to 550 Hz to reduce the switching losses. As  $V_{COMV}$  decreases below 0.8 V, the switching frequency is fixed at 550 Hz and FSEZ1016A enters “deep green” mode, where the operating current drops to 1 mA, reducing the standby power consumption.

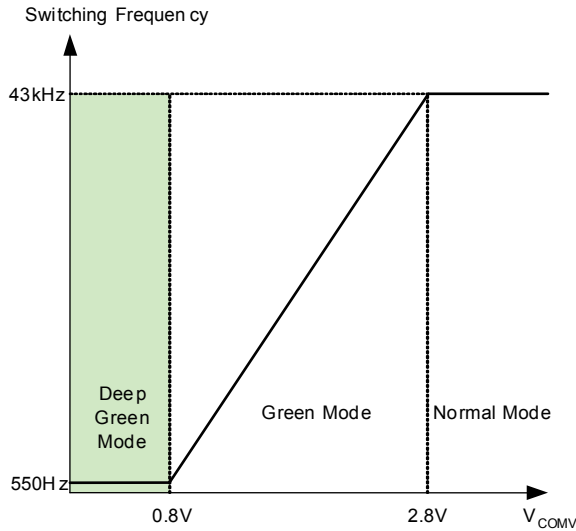


Figure 26. Switching Frequency in Green Mode

### Leading-Edge Blanking (LEB)

At the instant the MOSFET is turned on, there is a high-current spike through the MOSFET, caused by primary-side capacitance and secondary-side rectifier reverse recovery. Excessive voltage across the  $R_{CS}$  resistor can lead to premature turn-off of the MOSFET. FSEZ1016A employs an internal leading-edge blanking (LEB) circuit to inhibit the PWM comparator for a short time after the MOSFET is turned on. External RC filtering is not required.

### Frequency Hopping

EMI reduction is accomplished by frequency hopping, which spreads the energy over a wider frequency range than the bandwidth measured by the EMI test equipment. FSEZ1016A has an internal frequency-hopping circuit that changes the switching frequency between 40.4 kHz and 45.6 kHz with a period of 3 ms, as shown in Figure 27.

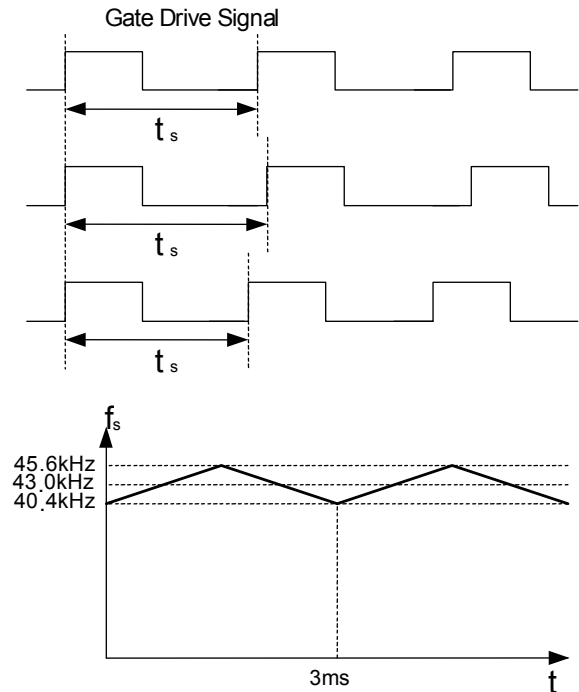


Figure 27. Frequency Hopping

### Startup

Figure 28 shows the typical startup circuit and transformer auxiliary winding for a FSEZ1016A application. Before FSEZ1016A begins switching, it consumes only startup current (typically 10  $\mu$ A) and the current supplied through the startup resistor charges the  $V_{DD}$  capacitor ( $C_{DD}$ ). When  $V_{DD}$  reaches turn-on voltage of 16 V ( $V_{DD-ON}$ ), FSEZ1016A begins switching, and the current consumed increases to 3.5 mA. Then, the power required for FSEZ1016A is supplied from the transformer auxiliary winding. The large hysteresis of  $V_{DD}$  provides more hold-up time, which allows using a small capacitor for  $V_{DD}$ .

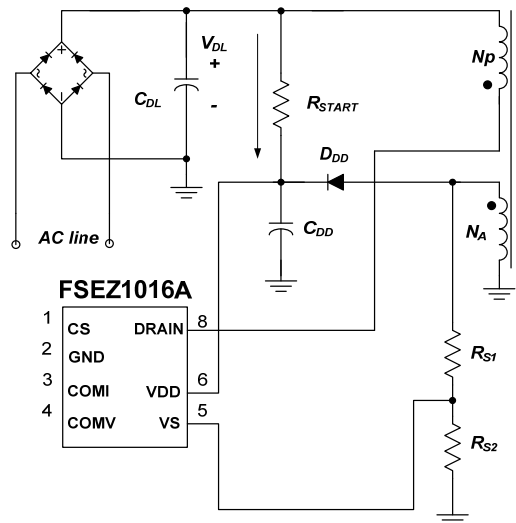
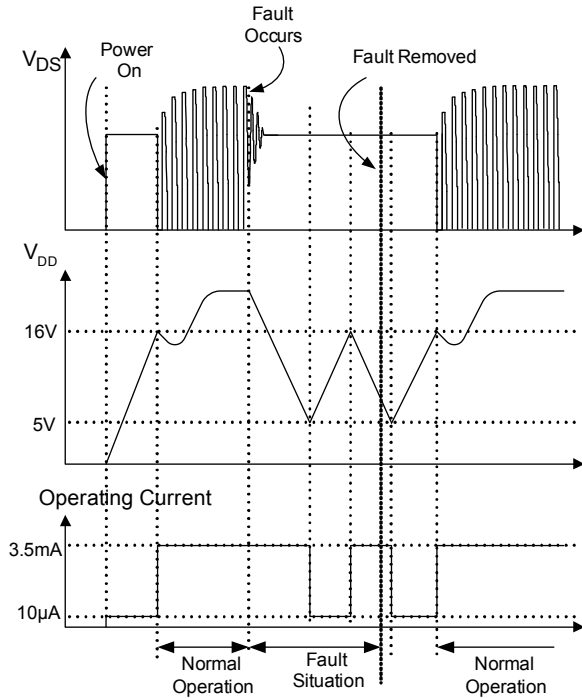


Figure 28. Startup Circuit

## Protections

The FSEZ1016A has several self-protective functions, such as Over-Voltage Protection (OVP), Over-Temperature Protection (OTP), and brownout protection. All the protections are implemented as auto-restart mode. When the auto-restart protection is triggered, switching is terminated and the MOSFET remains off. This causes  $V_{DD}$  to fall. When  $V_{DD}$  reaches the  $V_{DD}$  turn-off voltage of 5 V, the current consumed by FSEZ1016A reduces to the startup current (maximum 10  $\mu$ A) and the current supplied startup resistor charges the  $V_{DD}$  capacitor. When  $V_{DD}$  reaches the turn-on voltage of 16 V, FSEZ1016A resumes normal operation. In this manner, the auto-restart alternately enables and disables the switching of the MOSFET until the fault condition is eliminated (see Figure 29).



**Figure 29. Auto-Restart Operation**

### $V_{DD}$ Over-Voltage Protection (OVP)

$V_{DD}$  over-voltage protection prevents damage from over-voltage conditions. If the  $V_{DD}$  voltage exceeds 28 V by open-feedback condition, OVP is triggered. The OVP has a debounce time (typical 250  $\mu$ s) to prevent false triggering by switching noise. It also protects other switching devices from over voltage.

### Over-Temperature Protection (OTP)

A built-in temperature-sensing circuit shuts down PWM output if the junction temperature exceeds 140°C.

### Brownout Protection

FSEZ1016A detects the line voltage using auxiliary winding voltage since the auxiliary winding voltage reflects the input voltage when the MOSFET is turned on. The VS pin is clamped at 1.15 V while the MOSFET is turned on and brownout protection is triggered if the current out of the VS pin is less than  $I_{VS-UVP}$  (typical 180  $\mu$ A) during the MOSFET conduction.

### Pulse-by-Pulse Current Limit

When the sensing voltage across the current sense resistor exceeds the internal threshold of 1.3 V, the MOSFET is turned off for the remainder of the switching cycle. In normal operation, the pulse-by-pulse current limit is not triggered since the peak current is limited by the control loop.

## Typical Application Circuit (Primary-Side Regulated Offline LED Driver)

Application	Fairchild Devices	Input Voltage Range	Output
Offline LED Driver	FSEZ1016A	90~265 V <sub>AC</sub>	12 V/0.35 A (4.2 W)

### Features

- High Efficiency (>74% at Full Load)
- Tight Output Regulation (CC:±5%)

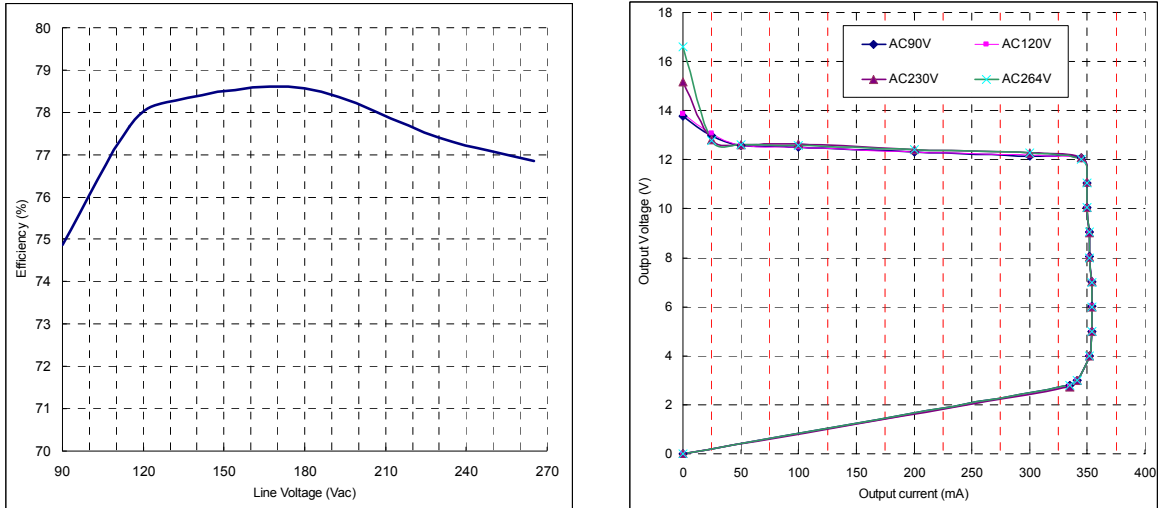


Figure 30. Measured Efficiency and Output Regulation

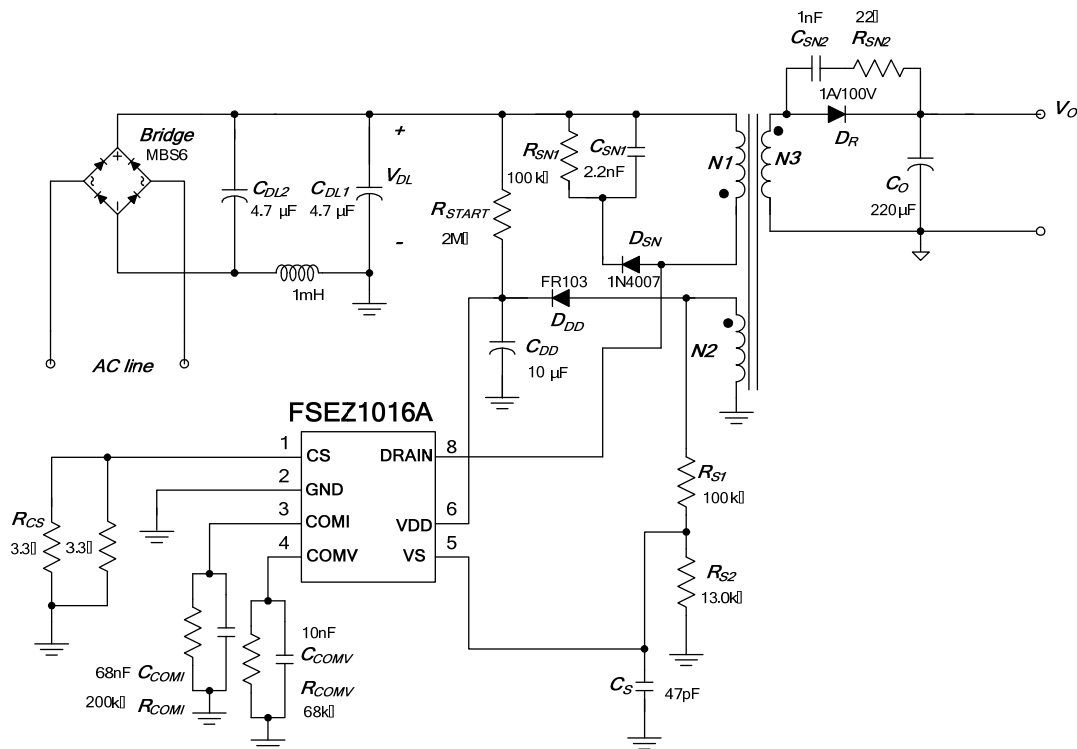
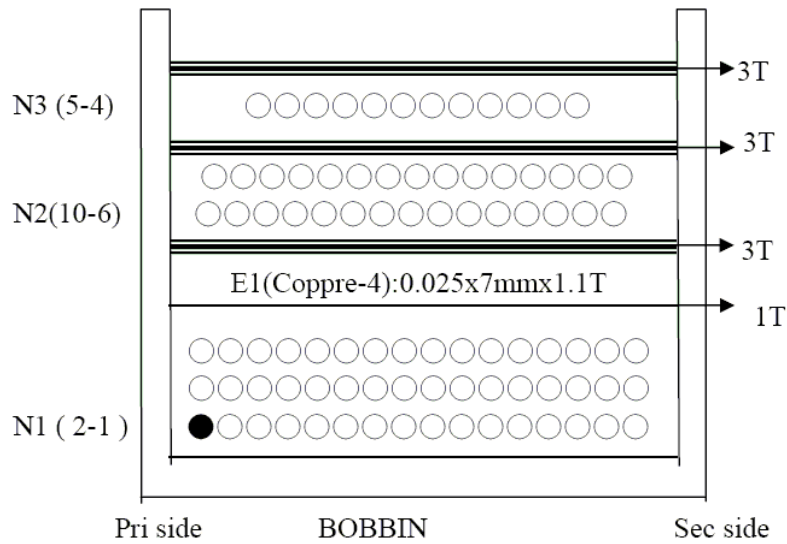
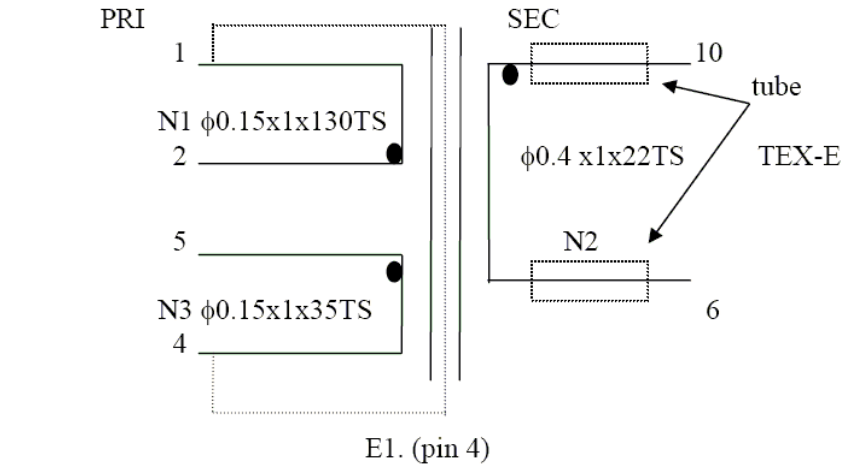


Figure 31. Schematic of Typical Application Circuit

## Typical Application Circuit (Continued)

### Transformer Specification

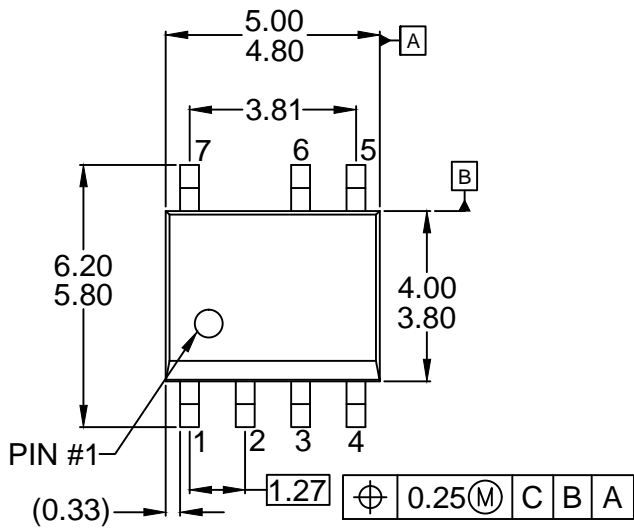
- Core: EE16
- Bobbin: EE16



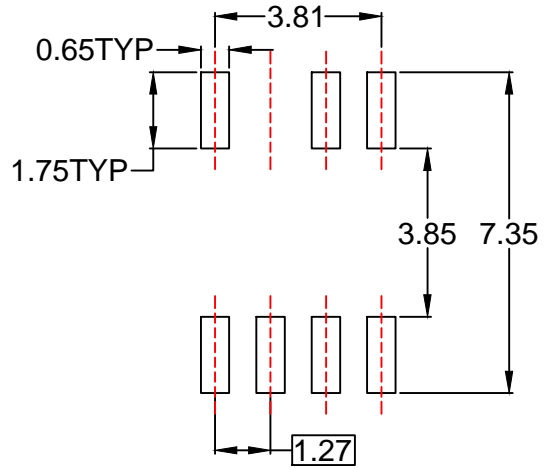
**Figure 32. Transformer Diagram**

	Pin	Specifications	Remark
Primary-Side Inductance	2 – 1	1.95 mH ± 8%	100 kHz, 1 V
Primary-Side Effective Leakage	2 – 1	60 μH Maximum	Short one of the secondary windings

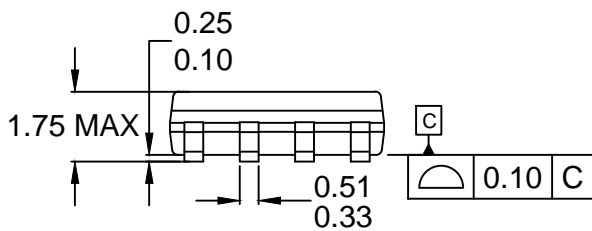




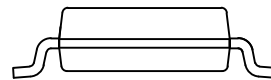
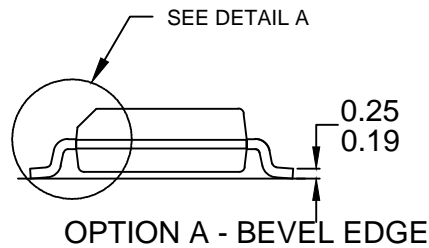
TOP VIEW



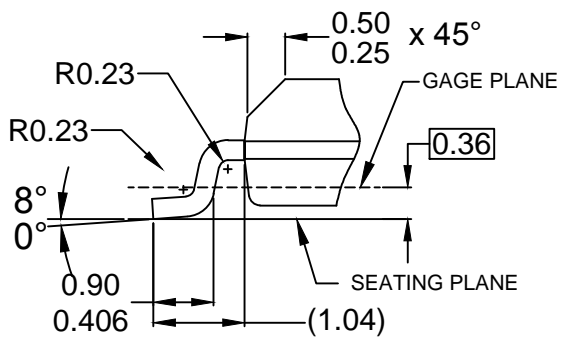
LAND PATTERN RECOMMENDATION



FRONT VIEW



OPTION B - NO BEVEL EDGE



DETAIL A

SCALE: 2:1

NOTES:

- A) THIS PACKAGE DOES NOT FULLY CONFORMS TO JEDEC MS-012, VARIATION AA, ISSUE C.
- B) ALL DIMENSIONS ARE IN MILLIMETERS.
- C) DIMENSIONS DO NOT INCLUDE MOLD FLASH OR BURRS.
- D) DRAWING FILENAME : M07Arev4.



ON Semiconductor and  are trademarks of Semiconductor Components Industries, LLC dba ON Semiconductor or its subsidiaries in the United States and/or other countries. ON Semiconductor owns the rights to a number of patents, trademarks, copyrights, trade secrets, and other intellectual property. A listing of ON Semiconductor's product/patent coverage may be accessed at [www.onsemi.com/site/pdf/Patent-Marking.pdf](http://www.onsemi.com/site/pdf/Patent-Marking.pdf). ON Semiconductor reserves the right to make changes without further notice to any products herein. ON Semiconductor makes no warranty, representation or guarantee regarding the suitability of its products for any particular purpose, nor does ON Semiconductor assume any liability arising out of the application or use of any product or circuit, and specifically disclaims any and all liability, including without limitation special, consequential or incidental damages. Buyer is responsible for its products and applications using ON Semiconductor products, including compliance with all laws, regulations and safety requirements or standards, regardless of any support or applications information provided by ON Semiconductor. "Typical" parameters which may be provided in ON Semiconductor data sheets and/or specifications can and do vary in different applications and actual performance may vary over time. All operating parameters, including "Typicals" must be validated for each customer application by customer's technical experts. ON Semiconductor does not convey any license under its patent rights nor the rights of others. ON Semiconductor products are not designed, intended, or authorized for use as a critical component in life support systems or any FDA Class 3 medical devices or medical devices with a same or similar classification in a foreign jurisdiction or any devices intended for implantation in the human body. Should Buyer purchase or use ON Semiconductor products for any such unintended or unauthorized application, Buyer shall indemnify and hold ON Semiconductor and its officers, employees, subsidiaries, affiliates, and distributors harmless against all claims, costs, damages, and expenses, and reasonable attorney fees arising out of, directly or indirectly, any claim of personal injury or death associated with such unintended or unauthorized use, even if such claim alleges that ON Semiconductor was negligent regarding the design or manufacture of the part. ON Semiconductor is an Equal Opportunity/Affirmative Action Employer. This literature is subject to all applicable copyright laws and is not for resale in any manner.

## PUBLICATION ORDERING INFORMATION

### LITERATURE FULFILLMENT:

Email Requests to: [orderlit@onsemi.com](mailto:orderlit@onsemi.com)

ON Semiconductor Website: [www.onsemi.com](http://www.onsemi.com)

### TECHNICAL SUPPORT

North American Technical Support:  
Voice Mail: 1 800-282-9855 Toll Free USA/Canada  
Phone: 011 421 33 790 2910

Europe, Middle East and Africa Technical Support:

Phone: 00421 33 790 2910

For additional information, please contact your local Sales Representative