

ON Semiconductor

Is Now

onsemi™

To learn more about onsemi™, please visit our website at
www.onsemi.com

onsemi and **onsemi** and other names, marks, and brands are registered and/or common law trademarks of Semiconductor Components Industries, LLC dba "**onsemi**" or its affiliates and/or subsidiaries in the United States and/or other countries. **onsemi** owns the rights to a number of patents, trademarks, copyrights, trade secrets, and other intellectual property. A listing of **onsemi** product/patent coverage may be accessed at www.onsemi.com/site/pdf/Patent-Marking.pdf. **onsemi** reserves the right to make changes at any time to any products or information herein, without notice. The information herein is provided "as-is" and **onsemi** makes no warranty, representation or guarantee regarding the accuracy of the information, product features, availability, functionality, or suitability of its products for any particular purpose, nor does **onsemi** assume any liability arising out of the application or use of any product or circuit, and specifically disclaims any and all liability, including without limitation special, consequential or incidental damages. Buyer is responsible for its products and applications using **onsemi** products, including compliance with all laws, regulations and safety requirements or standards, regardless of any support or applications information provided by **onsemi**. "Typical" parameters which may be provided in **onsemi** data sheets and/or specifications can and do vary in different applications and actual performance may vary over time. All operating parameters, including "Typicals" must be validated for each customer application by customer's technical experts. **onsemi** does not convey any license under any of its intellectual property rights nor the rights of others. **onsemi** products are not designed, intended, or authorized for use as a critical component in life support systems or any FDA Class 3 medical devices or medical devices with a same or similar classification in a foreign jurisdiction or any devices intended for implantation in the human body. Should Buyer purchase or use **onsemi** products for any such unintended or unauthorized application, Buyer shall indemnify and hold **onsemi** and its officers, employees, subsidiaries, affiliates, and distributors harmless against all claims, costs, damages, and expenses, and reasonable attorney fees arising out of, directly or indirectly, any claim of personal injury or death associated with such unintended or unauthorized use, even if such claim alleges that **onsemi** was negligent regarding the design or manufacture of the part. **onsemi** is an Equal Opportunity/Affirmative Action Employer. This literature is subject to all applicable copyright laws and is not for resale in any manner. Other names and brands may be claimed as the property of others.

Boundary-Scan, Silicon and Software Enable System Level Embedded Test

Fairchild Semiconductor
Application Note 1022
February 1997



Boundary-Scan, Silicon and Software Enable System Level Embedded Test

ABSTRACT

Designing IC's, boards, and systems with a DFT strategy that utilizes boundary-scan, will make a quantum improvement in test development cycle-time, and fault coverage both in production and in the field. Tools are commercially available that automate design, test development, and ultimately embedded test for IEEE 1149.1 compatible systems. This paper is intended to familiarize designers and test engineers with the advantages of boundary-scan at the system level as well as present the architectural and implementation challenges of developing Fairchild's SCAN EASE software. For more information, refer to AN-1037, "Embedded IEEE 1149.1 Test Application Example."

INTRODUCTION

Boundary-Scan Fundamentals

The terms, 1149.1, 0.1, Boundary-Scan, and JTAG, are used synonymously in the industry and throughout this paper.

IEEE Std 1149.1 defines a standard architecture for designing Boundary-Scan test circuitry into digital integrated circuits for the purpose of testing the IC and the interconnections between IC's on a board or module. All 1149.1 compliant devices must have a Test Access Port (TAP) with 4 required pins: Test-Data-Input (TDI), Test-Data-Output (TDO), Test-Mode-Select (TMS), and Test-Clock (TCK). A fifth pin for Asynchronous Test Reset (TRST*) is optional (* means active low). See Figure 1.

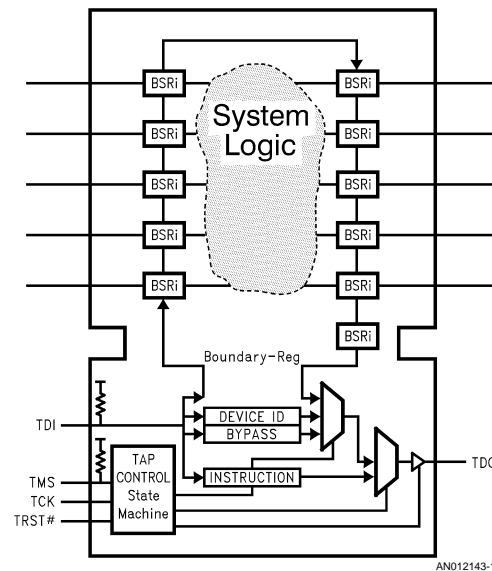


FIGURE 1. Device Hardware

The boundary register is integrated into the input/output cells of the device. While in Interconnect Test Mode (Extest command is active) data shifted into the boundary registers' output cells is driven onto the outputs; and data driven onto the device's inputs is sampled by the input cells and shifted out for comparison to expected results. This simple process of shifting data, updating output cells, and sampling input cells, is the basic algorithm for board level interconnect fault testing.^[1,2,3]

BOARD LEVEL BOUNDARY-SCAN TEST COVERAGE

At the board level, boundary-scan components are daisy chained (TDI to TDO) to form a single scan chain. See Figure 2. Boards comprised of 100% 1149.1 compliant components, can be tested with a vector set generated by ATPG (Automatic Pattern Generation) software to 100% fault coverage with a 4-wire JTAG tester, while achieving a quantum reduction in test development time and eliminating the need for expensive in-circuit testers. In addition, faults are automatically isolated to the NET, and in the case of opens, to the node (unit/pin).

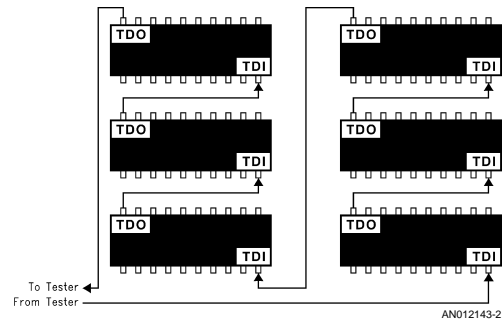


FIGURE 2. Simple Board Boundary-Scan Implementation

Boards that do not have 100% boundary-scan components can greatly benefit from this methodology also. In fact, even a single chip with boundary-scan will simplify the test development effort, and may improve the testability of the board. Especially if the boundary-scan component is a complex sequential device. For this reason, boundary-scan has become a required feature of microprocessors, FPGAs and ASICs for many board manufacturers.

The boundary-scan cells are often called "virtual nails" or "silicon nails", since they provide the same capability as physical test points in a bed-of-nails fixture.^[3] The task of generating board level fault tests for a device with boundary-scan is greatly simplified. Because each device pin can be sampled and/or forced by its boundary-cell, no knowledge of the on-chip system logic is required for fault testing the board. In an in-circuit test environment, assuming

AN-1022

that the tester has bed-of-nails access to all of the NETs the device is connected to, a stuck-at-one test is performed on all NETs with only one vector. To provide the stimulus, simply force all input NETs low via the physical nails and shift all lows into the devices output boundary-cells (via TDI) to drive the virtual nails low. To check the response, sample all output NETs via the physical nails and shift the data captured by the input boundary-cells (virtual nails) out on TDO.

If the response is all lows, the test passes, otherwise the test fails. Similarly, a stuck-at-low test requires just one vector. Bridging faults are isolated using a binary search algorithm. For Example, 3 vectors are required to test for bridging faults on a board with 8 NETs as shown in *Table 1*:

TABLE 1.

Vector	N1	N2	N3	N4	N5	N6	N7	N8
1	0	0	0	0	1	1	1	1
2	0	0	1	1	0	0	1	1
3	0	1	0	1	0	1	0	1

The number of vectors to detect and isolate 100% of bridging faults is equal to:

$$Num_Vectors(bridging) = \frac{\log NETS}{\log 2}$$

and

$$Num_Vectors = \frac{\log NETS}{\log 2} + 2$$

Therefore, a chip with 64 system inputs/outputs each connected to a separate NET, 64 NETs, would require 6 vectors for bridging faults. Added to the 2 vectors required for stuck-at faults, a total of 8 vectors is required. Because of the exponential nature of the calculation, the simplicity is even more evident when a larger number of NETs are being tested. A board with 1,000 NETs requires 12 vectors; a board with 1 million NETs requires just 22 vectors.

Compare this to the number of vectors required to test a board with non-JTAG compliant IC's. If the device is simply combinatorial, it can be tested with 2^N Vectors (256 for 8 NETs). If the functionality is studied, the vector set may be greatly reduced, but this requires functional models and/or test development resources. The problem becomes even more complex when testing a sequential device. Several set-up vectors are typically required to condition a device to test an input, and several vectors may be required to propagate the fault to an output for observation.

The IEEE 1149.1 standard also defines a syntax, *Boundary-Scan Description Language* (BSDL), for describing the IC's pin-out, and the specific implementation of its test circuitry (e.g. boundary-register, optional registers, command set and opcodes).^[4] BSDL files are provided by the manufacturer of 1149.1 compliant devices.

TEST DEVELOPMENT PROCESS

At the board level, generating tests for boundary-scan NETs is completely automated. ATPG requires only a NET list of the board, and BSDL models for each 1149.1 compliant device on the board. Additional information can be provided to the ATPG such as a NET information file to force a NET to always be driven high or low. For boards with less than 100% boundary-scan components, fault coverage can be in-

creased by adding cluster tests to the vector set. Cluster tests are generated the same way as in-circuit tests for non-scan components. In the case of cluster testing, the stimulus is driven from, and the response is sampled by, the "virtual nails" of scan components that surround the cluster. Using this approach it is possible to achieve a high level of fault coverage even when several non-scan components are used. Of course, physical test points can be added to untestable NETs.

Further benefits are realized at system integration and field testing. Traditionally, functional testing was used here due to the complexity of obtaining physical access to test points with in-circuit testers. Functional test development requires a separate and complex effort. Intimate knowledge of the system functionality is required and fault isolation is typically poor. Using a boundary-scan approach, backplane interconnect tests and board tests are automated. Fault isolation is precise and the only tester access required is to the 4-wire scan chain.

SYSTEM LEVEL JTAG TESTING

Typically, boards are designed with only one scan chain. At system integration, the scan-chain of each board must be tied into the backplane architecture. The backplane could be designed so that the chains of each board would be daisy-chained to form a single system wide chain. This is undesirable for several reasons. Boards cannot be removed without breaking the chain; boards must be located in specific slots; a fault in the chain of one board would leave the entire system untestable. The preferred method for connecting the board level scan-chains to the backplane is a multi-drop backplane design with a JTAG addressable device on each board interfacing the backplane test bus to the board level scan-chains.

Fairchild's hierarchical and multidrop addressable JTAG Port, SCANPSC110F, provides this functionality.^[2] See *Figure 3*.

Unlike other approaches, the PSC110F provides an addressing scheme using 1149.1 compatible protocol. A PSC110F is selected by shifting a 6-bit address into its instruction register that matches the value hardwired on its slot inputs, when in the Wait-for-Address state. Refer to the SCANPSC110F datasheet for detail.

The PSC110F also enables further partitioning of the board level scan-chains. Each PSC110F provides 3 Local Scan Ports (LSP) that can be configured to be connected individually to the test bus, or simultaneously in series to the test bus. This flexible LSP configuration helps partition hardware and simplifies the ATPG vectors. For example, LSP1 could be connected to all devices that interface to the backplane. LSP2 could be connected to all other on-board devices. LSP3 could connect to a mezzanine board. To test the mezzanine board, only LSP3 must be unparked. To test the interface between the board and the mezzanine board, LSP2 and LSP3 must be unparked. To test the board, LSP1 and LSP2 and to test the backplane interconnect, only LSP1 must be unparked. If NET lists are captured for each of these hierarchical views of the system, a separate test can be generated for each view resulting in a set of test partitions that can give an immediate indication as to which part of the system failed. This structured test methodology is particularly useful for embedded system test where diagnostic processing is lim-

ited. For more on backplane interconnect testing, refer to AN-1023, Structural System Test via IEEE Std. 1149.1 with SCANPSC110F.

EMBEDDED SYSTEM LEVEL JTAG TEST

Traditionally embedded or built-in self-test of non-boundary-scan designs, as in the case of system integration testing, was limited to functional testing. Here, a separate test development effort was required. However, the advantage of a boundary-scan design is that the test points are built into the system logic. In addition, all of these "virtual nails" are accessible via a 4-wire test-bus. In fact, with slight modification, the same board tests that were used in production test can be reused for embedded test.

Figure 4 shows the test development process from start to finish. Production tests are generated for each board in the system. One or more additional tests are generated for backplane interconnect testing. These tests are typically stored in tester specific formats such as SVF or PAT. These non-compact ASCII vector formats are fine for production testing, but the memory limitations of an embedded system make them undesirable for embedded test. Therefore, the tests are converted to Embedded Vector Format (EVF), a compact binary format defined by Fairchild, using SCAN EASE. Refer to the SCAN EASE datasheet.

Header information is stored along with each test so that when the test is executed, and fails, the failure can be isolated to the partition described in the header. The EVF partitions for several boards can be appended into one file and embedded on system PROM for power-up self-test, or they can be down-loaded to the system via a serial communication link.

EMBEDDED VECTOR FORMAT

EVF was defined under the constraints of being a compact binary format that is highly structured to be easily parsed by the embedded code, and independent of system architecture and memory organization such as little-endian, big-endian, 8-bit, 16-bit, 32-bit, 64-bit wide. To achieve the requirement of being memory organization independent, it was necessary to define EVF as a contiguous array of bytes. All architectures examined had one thing in common: a single byte of data can be addressed anywhere in memory and read into a byte-wide register, regardless of memory organizations. Larger data-types such as words or double-words, are in some cases required to be word or double-word aligned, respectively.^[6] Also, reading a word stored in little-endian format on a big-endian machine would require the LSB and MSB to be swapped. A set of data structures were defined for each EVF record type.

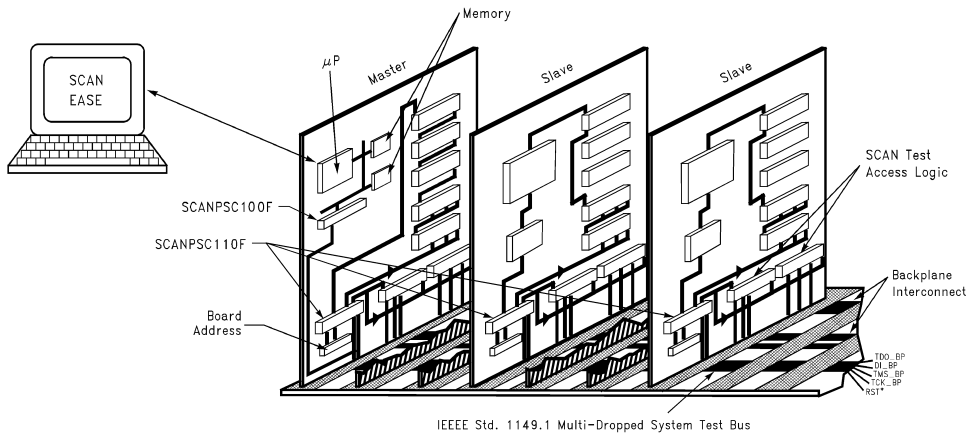


FIGURE 3. Multidrop Configuration Using Boundary-Scan

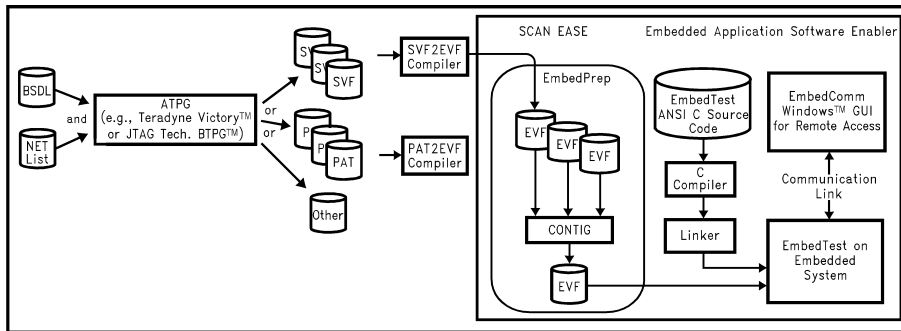


FIGURE 4. Test Development Process

A typical data structure is:

```

/*evf_scan is used to parse SIR, SDR records */
struct evf_scan {
    unsigned char opcode;      /* EVF_SIR, EVF_SDR */
    unsigned char options;    /* Mask, TDO, TDI, Flag */
    LE_LONG num_bits_le;     /* Scan-Chain Length */
};

```

The actual test data immediately follows the data structure. Pointers to the outgoing TDI data, the expected TDO data, and the mask, are calculated from the options field and the

scan-chain length. Note that the type LE_LONG must be used for reading/writing a 4-byte data type in order to make EVF, architecture independent.

```

typedef struct {
    unsigned char byte0;
    unsigned char byte1;
    unsigned char byte2;
    unsigned char byte3;
} LE_LONG;

```

EMBEDDED TEST APPLICATION CODE

The SCAN EASE application code was defined to be modular (see Figure 5), portable to most computer architectures and efficient, from both a code size and performance perspective. The code was written completely in ANSI C. The embedded test code was developed top-down in 5 modules. Additionally a communications module was developed to give a “truly” embedded system a means to communicate to a system administrator, or remote computer via modem.

The top layer of code is where hardware/software initialization is performed. Calls to the Pg_ctrl level are made to form test activity. A call to the Pg_ctrl function: InitTestTable(P__evf__bist) creates a linked list of table entries that contain a pointer to the EVF partition, whether it resides in RAM or ROM, a pointer to the datalog, and pass/fail information. A Table entry is added each time a new test is downloaded, AddTableEntry(), and updated each time a test is run, RunPartition(p__table__entry).

Calls to Evf__lib are made from RunPartition(). RunPartition() reads each EVF op-code and calls the appropriate evf__lib function to parse and execute that command. Evf__lib functions include: EvfScanDr(), EvfScanlr(), EvfState(), etc. EvfScanDr(p__evf__record), for example, determines if the record contains TDI, TDO, or MASK data by looking at bit-wise flags in the options field of the record, using the evf__scan data structure. If these flags are set, pointers to the data arrays are calculated and stored as statics. If the flags are not set, the function determines whether or not to use the previous vectors data. This enables vector compression and is typically useful for the mask data, whose

value is usually constant from vector to vector for the duration of a board test. The options field is also used to determine whether or not to sample data returning from the scan-chain for comparison against an expected response.

Scanlib is where the 1149.1 intelligence resides. Scanlib functions include ScanDr(), Scanlr(), State(), etc. and are called from evf__lib. For example, ScanDr (p__outgoing__data, num__bits, p__incoming__data) determines the sequence of the TMS needed to progress the target TAPS from their present tap state to Shift-DR, and then from the Exit1-DR state to the End__IR state. Calls are made to the SCANPSC100F device driver (pscdrv) to actually sequence the target TAPS, SequenceTms(), and shift the data to and from the scan chains, Shift().

The SCANPSC110F driver, pscdrv, was written in direct support of Fairchild’s Embedded Boundary-Scan Controller SCANPSC100F. Alternatively, a device driver written for a micro-controller parallel port, an I/O register, or other competitive devices, could be integrated into this software.

As previously mentioned, one constraint on this code is that it must be portable to most computer architectures. In some architectures, the SCANPSC100F may be memory-mapped, in others it may be mapped into I/O space. In the case of memory-mapped I/O devices, reads and writes to the device are made simply by equating a volatile variable located at the physical address space in which the device resides, (volatile)Tms = tms. If the device is I/O mapped, a function call is typically required, since C operands do not directly support I/O address space, WriteTms(tms).

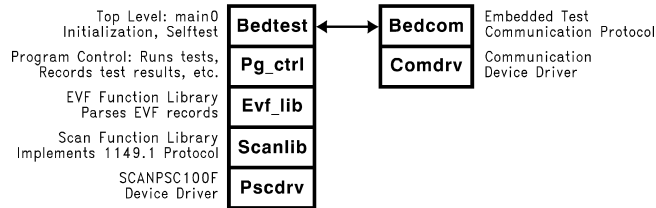


FIGURE 5. SCAN EASE Code is Modular

AN012143-5

```

/* Macro's for Memory Mapped I/O */
#if BSM_TYPE == MEM_MAPPED
#pragma sep_on segment psc100 class shadow
volatile unsigned char Filler_byte;
volatile unsigned char Psc_base;
#pragma sep_off
#define WRITE_PSC(PSC_REG_OFFSET, DATA) * (unsigned char
*) (&Psc_base + PSC_REG_OFFSET) = DATA
#define READ_PSC(PSC_REG_OFFSET) *(unsigned char
*) (&Psc_base + PSC_REG_OFFSET)
#endif
/* Macro's for I/O Port Mapped I/O */
#if BSM_TYPE == IO_MAPPED
#define PSC_BASE 0x140
#include <dos.h>
#define WRITE_PSC (PSC_REG_OFFSET, DATA)
outportb ((int) (PSC_BASE + PSC_REG_OFFSET), DATA)
#define READ_PSC(PSC_REG_OFFSET) inportb((int) (PSC_BASE +
PSC_REG_OFFSET))
#endif
/* If compiling for Corelis board, use Corelis low level
driver for PSC100 */
#if BSM_TYPE == CORELIS_BOARD
#include "cortest.h"
#define PSC_BASE 0x140
#define WRITE_PSC (PSC_REG_OFFSET, DATA) write_psc(0,
PSC_REG_OFFSET, DATA)
#define READ_PSC (PSC_REG_OFFSET) read_psc(0,
PSC_REG_OFFSET)
#endif

```

These two cases are handled using a conditionally defined macro. This is the only conditional define in the code, and the only thing that may change when compiling for one architecture verses another.

Note that the above code also includes an option to define WRITE__PSC and READ__PSC to call functions for a Corelis ISA card, PC-1149.1/100F, High Speed PC-AT Bus Boundary-Scan controller. This option was extremely helpful in that it enabled the code development and debug to be performed on a PC, with a SCANPSC100F mounted on an ISA card, using a high level debugger. Once the code was debugged, it could be compiled for the target embedded system resulting in a great reduction in debug time of the embedded environment.

SUMMARY

A DFT strategy that utilizes boundary-scan components whenever available, will reduce test development cycle-time, increase fault coverage, reduce test time, and enable system level embedded test. Production tests can be reused for embedded (built-in) test and tools are available that automate this process. Fairchild provides components such as

the Embedded Boundary-Scan Controller, SCANPSC100F, and the Hierarchical and Multidrop Addressable JTAG Port, SCANPSC110F Bridge, that enable system wide embedded scan testing. With the SCAN EASE software described in this paper, the task of implementing embedded scan test has become virtually an "off the shell" solution.

REFERENCES

- [1] IEEE Std. 1149.1-1990, "IEEE Standard Test Access Port and Boundary-Scan Architecture", IEEE Computer Society, 1990.
- [2] NSC "SCAN Databook", Fairchild Semiconductor, 1996.
- [3] NSC, "Scan Tutorial Handbook Volume I", Fairchild Semiconductor, 1994.
- [4] IEEE Std. 1149.1-1990 Sup. B, "Boundary-Scan Description Language", IEEE Computer Society, 1990.
- [5] Eichelberger•Lindbloom•Waicukauski•Williams, "Structured Logic Testing", Prentice Hall, 1991.
- [6] Motorola, "M68000 Microprocessor User's Manual", Motorola 1990.

LIFE SUPPORT POLICY

FAIRCHILD'S PRODUCTS ARE NOT AUTHORIZED FOR USE AS CRITICAL COMPONENTS IN LIFE SUPPORT DEVICES OR SYSTEMS WITHOUT THE EXPRESS WRITTEN APPROVAL OF THE PRESIDENT OF FAIRCHILD SEMICONDUCTOR CORPORATION. As used herein:

1. Life support devices or systems are devices or systems which, (a) are intended for surgical implant into the body, or (b) support or sustain life, and (c) whose failure to perform when properly used in accordance with instructions for use provided in the labeling, can be reasonably expected to result in a significant injury to the user.
2. A critical component in any component of a life support device or system whose failure to perform can be reasonably expected to cause the failure of the life support device or system, or to affect its safety or effectiveness.

Fairchild Semiconductor Corporation Americas
Customer Response Center
Tel: 1-888-522-5372

Fairchild Semiconductor Europe
Fax: +49 (0) 1 80-530 85 86
Email: europe.support@nsc.com
Deutsch Tel: +49 (0) 8 141-35-0
English Tel: +44 (0) 1 793-85-68-56
Italy Tel: +39 (0) 2 57 5631

Fairchild Semiconductor Hong Kong Ltd.
13th Floor, Straight Block,
Ocean Centre, 5 Canton Rd.
Tsimshatsui, Kowloon
Hong Kong
Tel: +852 2737-7200
Fax: +852 2314-0061

National Semiconductor Japan Ltd.
Tel: 81-3-5620-6175
Fax: 81-3-5620-6179

www.fairchildsemi.com