

Product Overview

NIMD6001A: Dual N-Channel MOSFET Driver with Diagnostic Output

For complete documentation, see the data sheet.

NIMD6001N is a dual 3 Amp low side switch with an integrated common disable input and drain diagnostic output. Pulling the Disable pin low will override any applied gate voltages and turn off both FET switches. Should either Drain-Source voltage exceed approximately 50V, a logic 1 will be asserted on the Diagnostic/Feedback pin. Internal isolation diodes permit the Disable and Diagnostic/Feedback pins of multiple devices to be interconnected in a wired-OR configuration without additional components.

Features

- 110m Maximum RDSON at VGS=10V
- Avalanche Energy Specified
- Gate Drive Disable Input
- Drain-Source Voltage Diagnostic Feedback Output
- Electrically Isolated Drains
- Internal Resistors Limit Peak Transient Gate Current
- AEC-Q101 Qualified

Applications

- Injector Driver

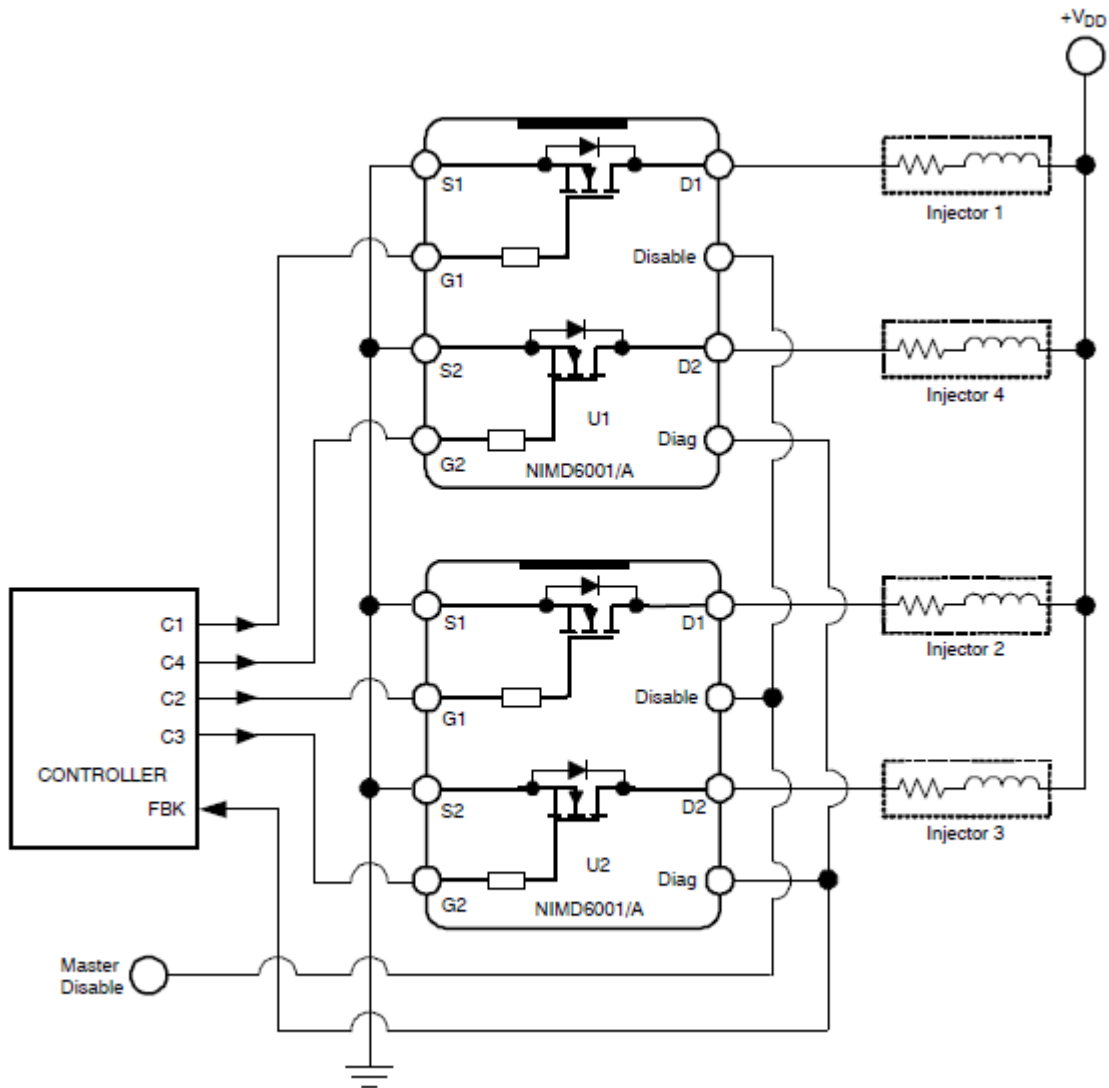
Benefits

- Low switching losses
- Inductive load rated
- Control flexibility
- Turn-off verification
- Low crosstalk
- Lower drive current
- Rated for automotive applications

End Products

- Automobiles

Application Diagram



4 Cylinder Engine Fuel Injection

For more information please contact your local sales support at www.onsemi.com.

Created on: 5/19/2019