

## Product Overview

### NCP6335: Synchronous Buck Converter, Processor Supply, I2C Programming, Transient Load Helper, 4.0 A

For complete documentation, see the data sheet.

The NCP6335 is a synchronous buck converter optimized to supply recent micro processors (ARM core processor, GPU) that demand high power at low voltages of portable applications powered by one cell Li-ion or three cell Alkaline/NiCd/NiMH batteries. The device is able to deliver up to 4.0 A, with programmable output voltage from 0.6 V to 1.4 V. It can share the same output rail with another DCDC and works as a transient load helper. Operation at a 3 MHz switching frequency allows the use of small components. Synchronous rectification and automatic PWM/PFM transitions improve overall solution efficiency. The NCP6335 is in a space saving, low profile 2.0 x 1.6 mm CSP 20 package.

### Features

- 2.3 V to 5.5 V Input Voltage Range
- 3 MHz Switching Frequency
- DVS support through I2C and VSEL pin
- Enabling with pins or I2C
- IC access in off mode
- Transient Load Helper

### Benefits

- Support Latest Battery
- Reduced output inductor and capacitor size
- Optimizes processor power
- Flexible enabling and disabling
- Pre programming at low power
- Share the same output rail with another DCDC without sinking current on shared rail

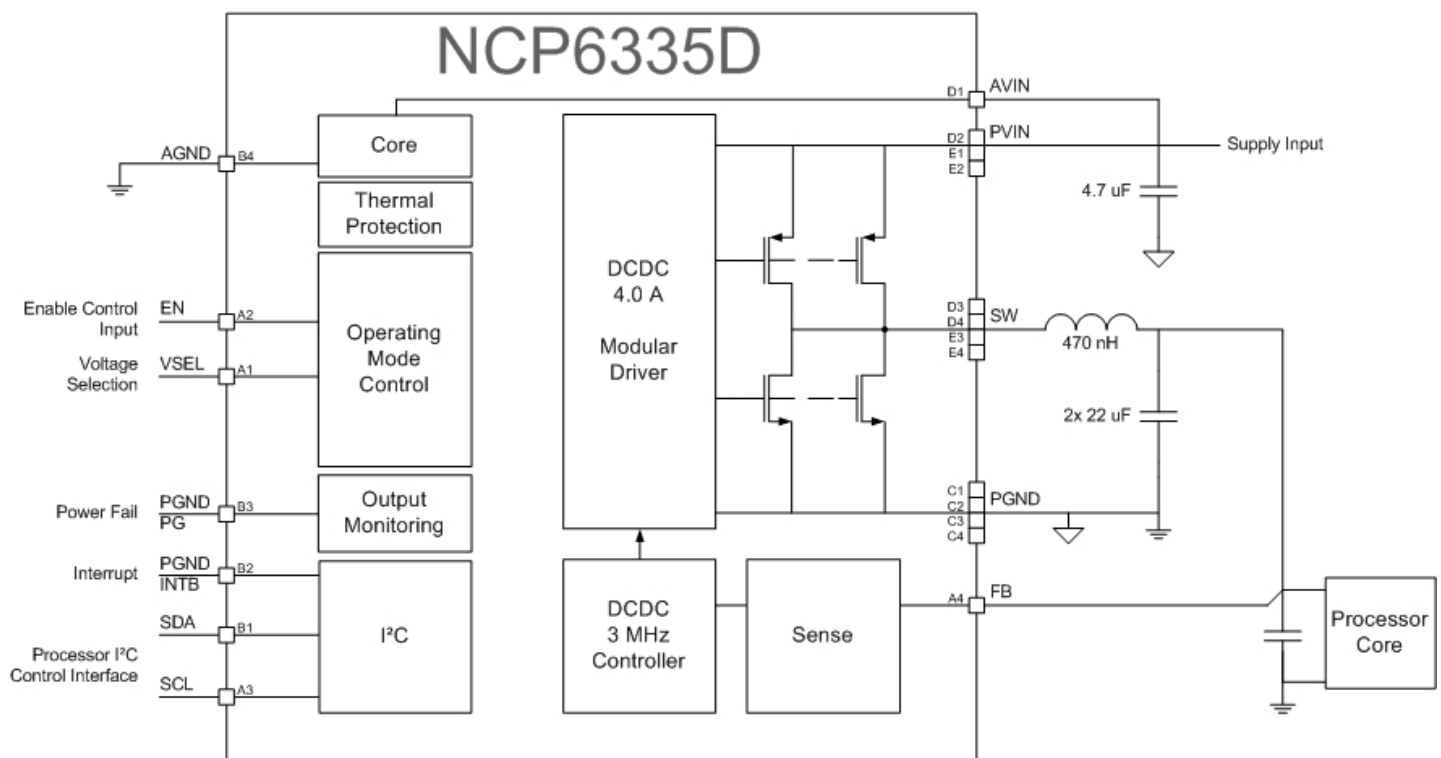
### Applications

- Battery powered applications
- Power supply for processor with low core voltage

### End Products

- Cellular phones, smart phones, tablets

### Application Diagram



For more information please contact your local sales support at [www.onsemi.com](http://www.onsemi.com).

Created on: 2/17/2019