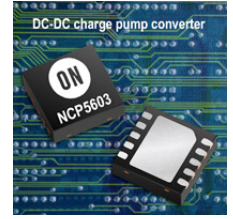


Product Overview

NCP5603: White LED Driver, High Efficiency, Charge Pump Converter

For complete documentation, see the data sheet.



The NCP5603 is an integrated circuit dedicated to the medium power White LED applications. The power conversion is achieved by means of a charge pump structure, using two external ceramic capacitors, making the system extremely tiny. The device supplies a constant voltage to the load from a low battery voltage source. It is particularly suited for the High Efficiency LED used in low cost, low power applications, with high extended battery life.

Features

- Wide battery supply voltage range : $2.7 < V_{CC} < 5.5V$
- Automatic Operating Mode 1X, 1.5X and 2X improves Efficiency
- Dimmable Output Current
- Up to 350 mA Output Pulsed Current
- Selectable Output Voltage
- High Efficiency up to 90%
- Support 2.5 kV ESD, Human Body Model
- Support 200 V machine Model ESD
- Low 40 mA Short Circuit Current

Applications

- Camera Flash

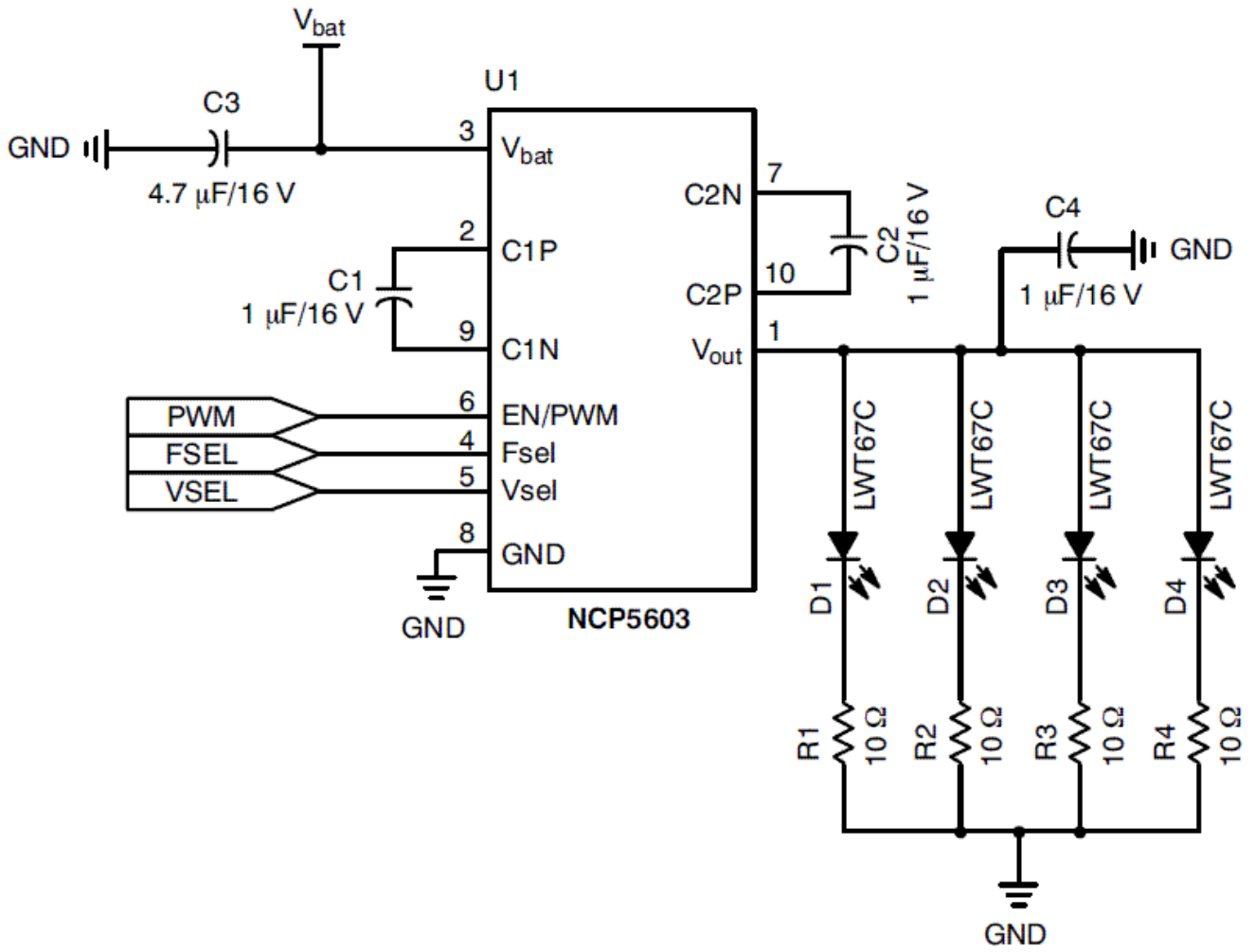
End Products

- Flash Lights
- Mobile Phones

Part Electrical Specifications

Product	Compliance	Status	Topology	V_{IN} Min (V)	V_{IN} Max (V)	V_O Max (V)	I_O Max (mA)	f_{SW} Typ (kHz)	Package Type
NCP5603MNR2G	Pb-free Halide free	Active	Charge Pump	2.7	5.5	5.5	350	650	DFN-10

Application Diagram



For more information please contact your local sales support at www.onsemi.com.

Created on: 7/20/2019