

Product Overview

NCP335: Controlled Load Switch, Ultra Small, 2.0 A, with Auto-Discharge Path

For complete documentation, see the data sheet.

The NCP334 and NCP335 are very low Ron MOSFETs controlled by an external logic pin, allowing optimization of battery life, and portable device autonomy. Indeed, thanks to a current consumption optimization with PMOS structure, leakage currents are eliminated by isolating connected IC on the battery when not used. Output discharge path is available in NCP335 version.

Features

- 1.2 V - 5.5 V operating range
- 42 mΩ R_{DS(ON)} at 4.2 V
- DC current up to 2 A
- Output Auto-discharge (NCP335)

Applications

- Load Management

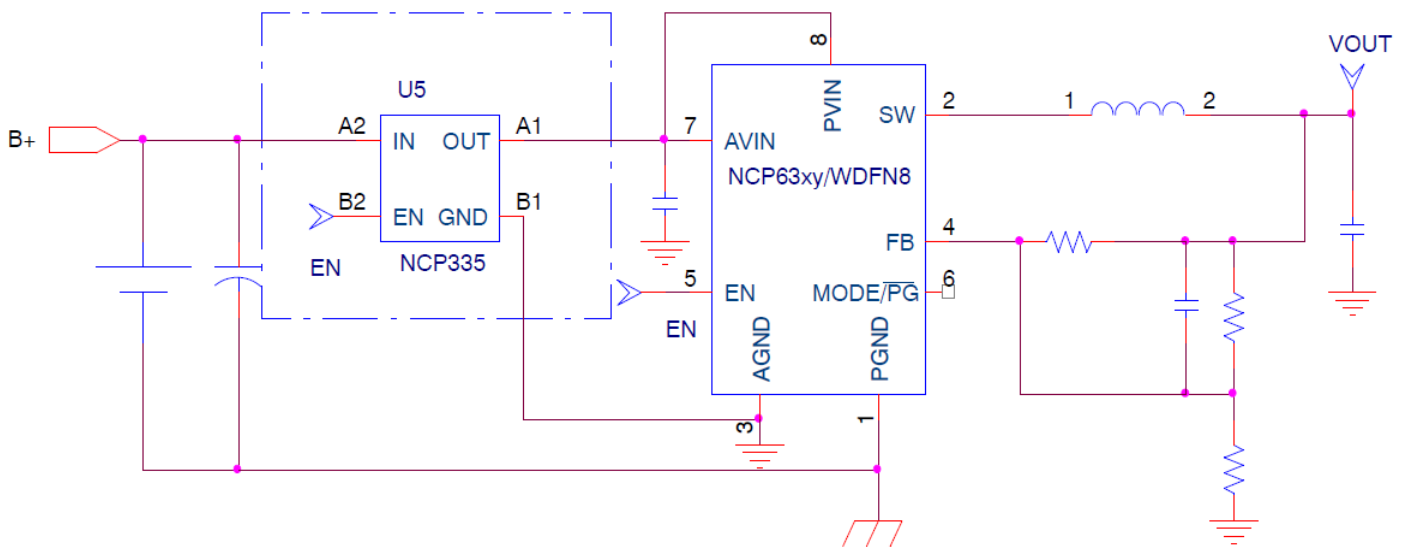
End Products

- Smart Phones
- Tablets

Part Electrical Specifications

Product	Compliance	Status	Channels	r _{on} (mΩ)	I Max (A)	V _i Min (V)	V _i Max (V)	Package Type
NCP335FCT2G	Pb-free Halide free	Active	1	47	2	1.2	5.5	WLCSP-4

Application Diagram



For more information please contact your local sales support at www.onsemi.com.

Created on: 2/22/2019