

Product Overview

LV8806QA: 3-phase Sensor-less Motor Driver

For complete documentation, see the data sheet.

LV8806QA is a 3-phase sensor-less motor driver IC. 3-phase driver allows low power consumption and low vibration. And Hall sensor-less drive allows reduction of the size of a motor system. This IC is suitable for use in products which require high reliability and long life such as note PC fan.

Features

- Built-in current limit circuit (Operates when RF resistance is 0.5Ω and $I_o = 0.53 A$)
- 3-phase full-wave sensor-less driver
- Direct PWM input
- FG (rotation count) output signal pin
- RD (lock detection) output signal pin
- Built-in lock protection and auto-recovery circuit
- Built-in TSD (thermal shutdown) circuit

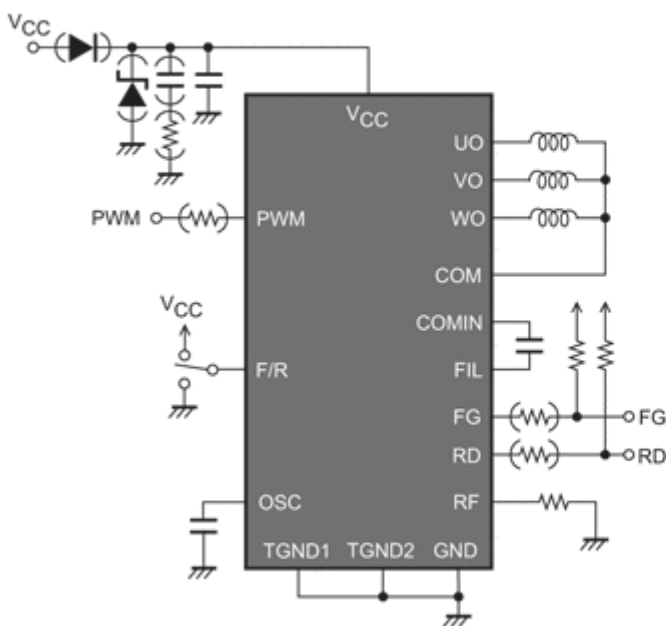
Part Electrical Specifications

Product	Compliance	Status	Phase	V _M Min (V)	V _M Max (V)	V _{CC} Min (V)	V _{CC} Max (V)	I _o Max (A)	I _o Peak Max (A)	Control Type	Package Type
LV8806QA-MH	Pb-free Halide free	Active	3	2	6	2	6		0.7	PWM	UQFN-16

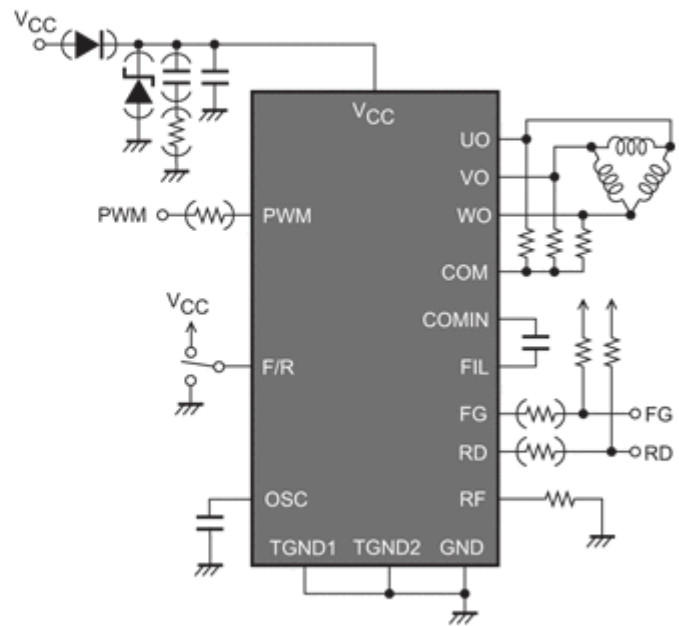
Application Diagram

Application Circuit Example

Application to Y-Connector Motor



Application to Delta-Connector Motor



* Please refer to a Datasheet for the instructions

For more information please contact your local sales support at www.onsemi.com.

Created on: 1/23/2019