

Product Overview

LV8805SV: Motor Driver, Sensor Less, Brushless, 3-Phase

For complete documentation, see the data sheet.

LV8805SV is a 3-phase sensorless motor driver IC. 3-phase driver allows low power consumption and low vibration. And Hall sensorless drive allows reduction of the size of a motor system. This IC is suitable for use in products which require high reliability and long life such as server fan and refrigerator fan.

Features

- Direct PWM three-phase sensorless motor driver
- Built-in current limit circuit (Operates when RF resistance is 0.25Ω and $I_o=1A$)
- Built-in lock protection and auto-recovery circuit
- Built-in TSD (thermal shutdown) circuit
- Direct PWM signal input for speed control PWMIN pin
- Soft-Booting
- Soft-Switching
- Built-in Beat Lock Protection
- 1chip Driver
- NchDMOS output transistor

For more features, see the data sheet

Benefits

- Easy Manufacturing
- Current Protection
- Destruction protection
- Thermal Protection
- High Efficiency
- Stability at booting
- Silent
- Beat Lock Protection
- Easy Manufacturing

Applications

- Fan Motor
- Computing & Peripherals
- Consumer

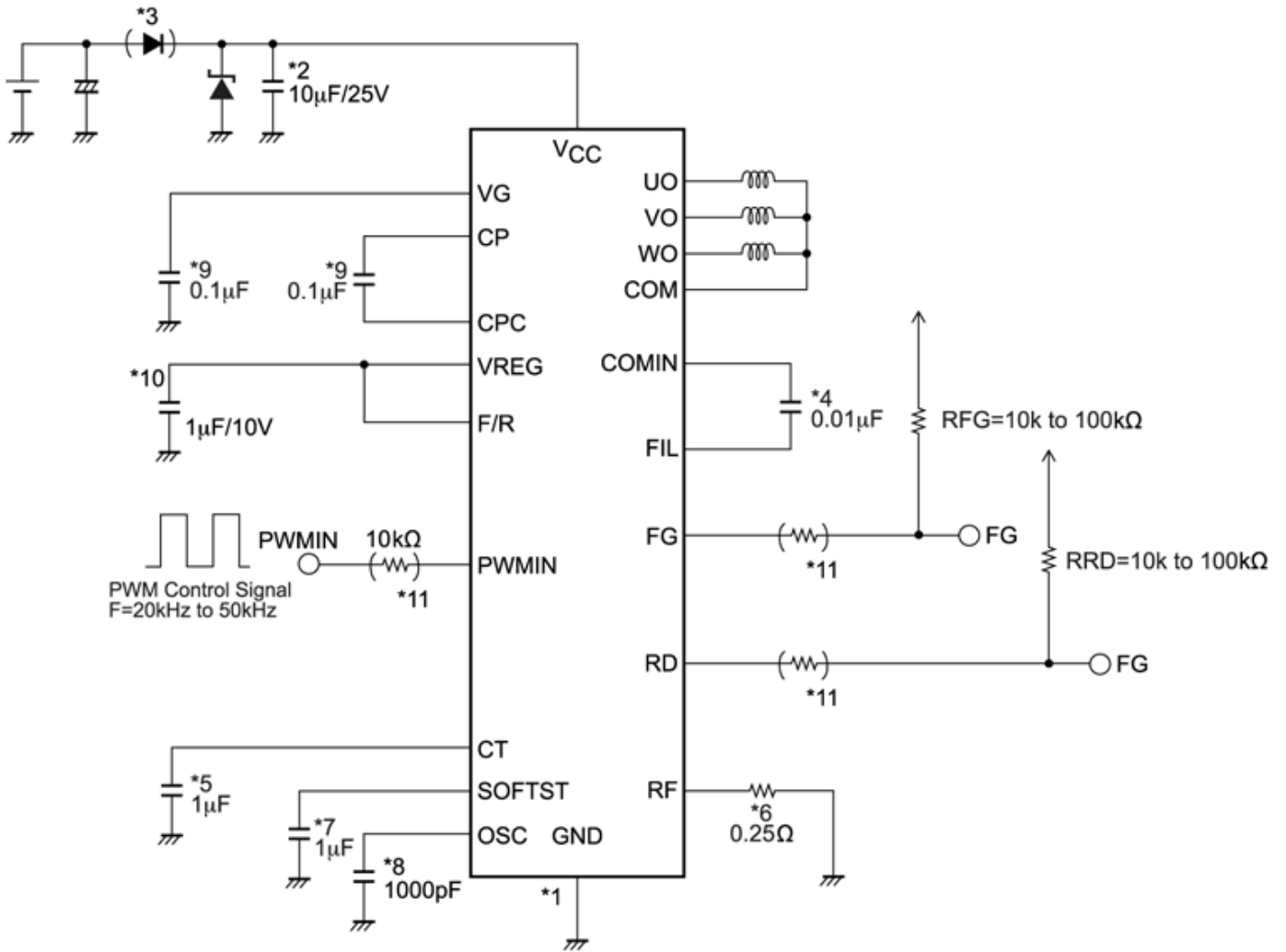
End Products

- PC and Server
- Refrigerator
- Server
- Desktop Computer

Part Electrical Specifications

Product	Compliance	Status	Phase	V_M Min (V)	V_M Max (V)	V_{CC} Min (V)	V_{CC} Max (V)	I_O Max (A)	I_O Peak Max (A)	Control Type	Package Type
LV8805SV-TLM-H	Pb-free Halide free	Active	3	6	15	6	15		1.2	PWM	SSOP-20J

Application Diagram



Please refer to a Datasheet for the instructions *1 to 11.

For more information please contact your local sales support at www.onsemi.com.

Created on: 1/21/2019