

## Product Overview

### LV11961HA: Single-phase FAN Motor Driver

For complete documentation, see the data sheet.

LV11961HA is a driver IC for single-phase fan motor that easily implements direct PWM motor drive system with excellent efficiency. LV11961HA is optimal for fan motor drive in personal computer power supply systems and CPU cooling systems.

### Features

- Single-phase full wave drive (built-in power FETs)
- Speed control function by DC voltage input to VTH pin
- Minimum speed adjustment by fixed voltage input to RMI pin
- Soft start-up function by SFS pin
- Regulated voltage output pin for Hall bias
- Built-in lock protector and auto recovery circuit
- FG signal output pin, RD signal output pin
- Built-in TSD (Thermal shutdown) circuit

### Applications

- Fan motor units

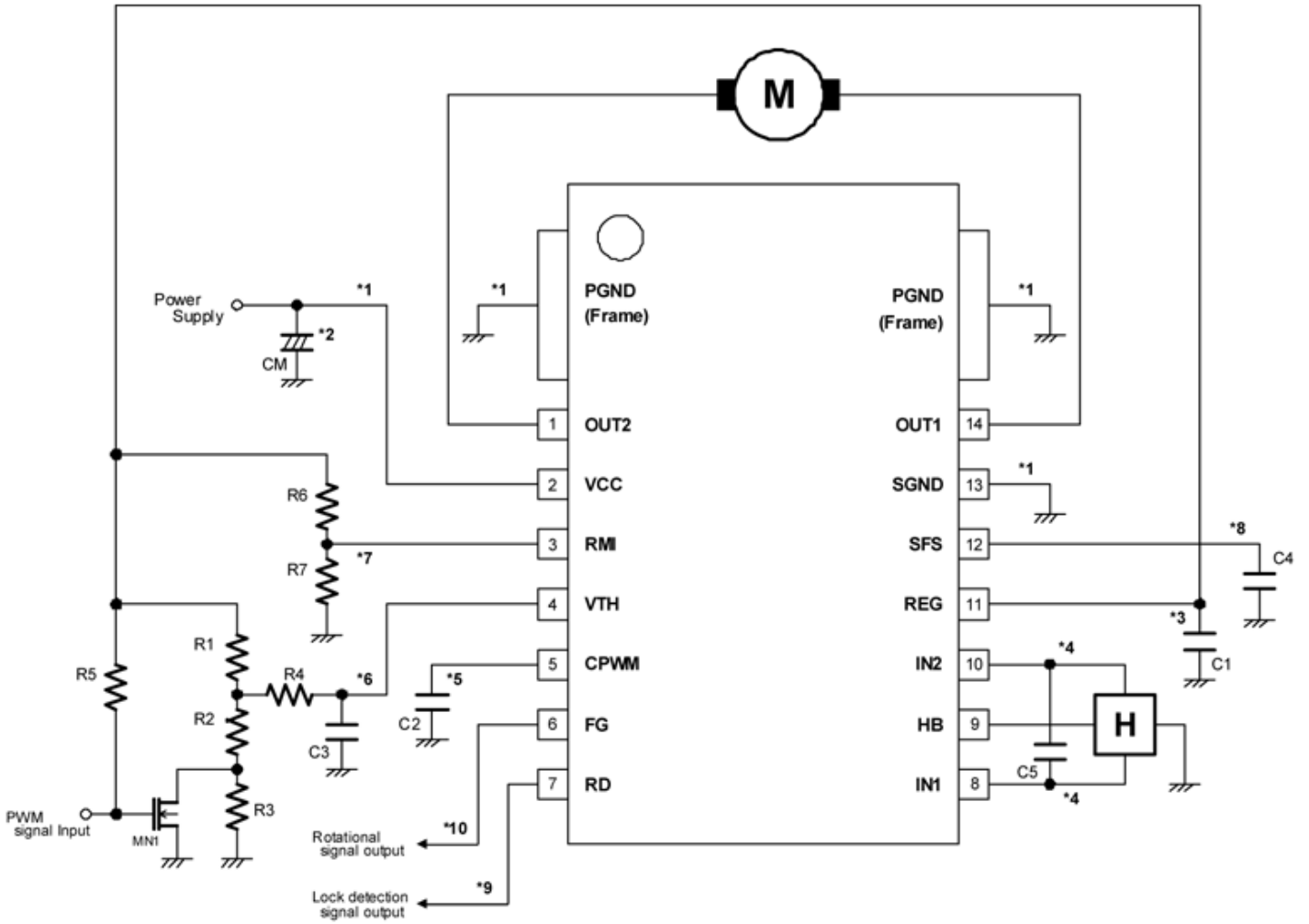
### End Products

- Note PCs
- Desk top PCs
- Projectors

### Part Electrical Specifications

Product	Compliance	Status	Phase	V <sub>M</sub> Min (V)	V <sub>M</sub> Max (V)	V <sub>CC</sub> Min (V)	V <sub>CC</sub> Max (V)	I <sub>O</sub> Max (A)	I <sub>O</sub> Peak Max (A)	Control Type	Package Type
LV11961HA-AH	Pb-free Halide free	Active	1			3.6	18		1	DC	HSSOP-14

# Application Diagram



Please refer to a Datasheet for the instructions \*1 to 10.

For more information please contact your local sales support at [www.onsemi.com](http://www.onsemi.com).

Created on: 1/21/2019