

## Product Overview

### LB11867RV: Variable Speed Single-Phase Fan Motor

For complete documentation, see the data sheet.

LB11867RV is a single-phase bipolar driving motor pre-driver with the variable speed function compatible with external PWM signal. With a few external parts, a highly-efficient and highly-silent variable drive fan motor with low power consumption can be achieved. This product is best suited for driving of the server requiring large air flow and large current and the fan motor of consumer appliances.

#### Features

- Single-phase full-wave driving pre-driver
- Variable speed control possible with external PWM input
- Current limiting circuit incorporated
- Reactive current cut circuit incorporated
- Minimum speed setting pin
- Soft start setting pin
- Lock protection and automatic reset circuits incorporated
- RD (lock detection) output
- Thermal shutdown circuit incorporated

#### Benefits

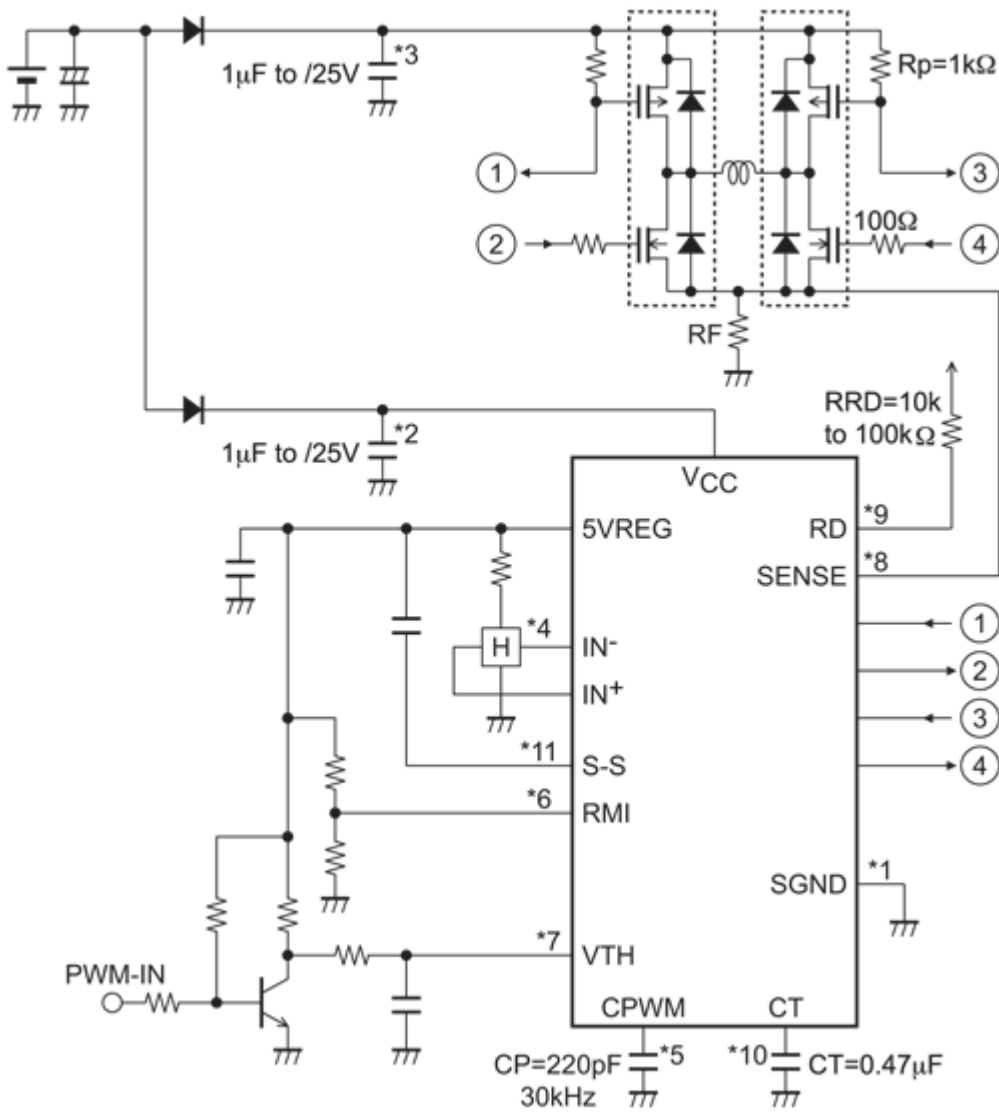
- High-efficiency low power-consumption drive

#### End Products

Part Electrical Specifications											
Product	Compliance	Status	Phase	V <sub>M</sub> Min (V)	V <sub>M</sub> Max (V)	V <sub>CC</sub> Min (V)	V <sub>CC</sub> Max (V)	I <sub>O</sub> Max (A)	I <sub>O</sub> Peak Max (A)	Control Type	Package Type
LB11867RV-TLM-E	Pb-free	Active	1			5.5	16	0.02		PWM	SSOP-16
LB11867RV-TLM-H	Pb-free Halide free	Active	1			5.5	16	0.02		PWM	SSOP-16
LB11867RV-W-AH	Pb-free Halide free	Active	1			5.5	16	0.02		PWM	SSOP-16

## Application Diagram

### Application Circuit Example (12V)



Note \*1 to \*11 information, please identify a datasheet.

For more information please contact your local sales support at [www.onsemi.com](http://www.onsemi.com).

Created on: 1/21/2019