

Product Overview

LB11620GP: Three-Phase Direct PWM Brushless Motor Driver

For complete documentation, see the data sheet.

The LB11620GP is a direct PWM drive pre-driver IC that is optimal for three-phase power brushless motors. A motor driver circuit with the desired output capability (voltage and current) can be implemented by adding discrete transistors or other power devices to the outputs of this IC. Since the LB11620GP is provided in a miniature package, it is also appropriate for use with miniature motors as well.

Features

- Three-phase bipolar drive
- Direct PWM drive (input of either a control voltage or a variable-duty PWM signal)
- Built-in forward/reverse switching circuit
- 5V regulator output (VREG pin)
- Built-in current limiter circuit (0.25V (typical) reference voltage)
- Built-in under voltage protection circuit
- Built-in automatic recovery type constraint protection circuit (ON: OFF=1: 18) with protection operating state discrimination output (RD pin)
- Hall signal pulse outputs

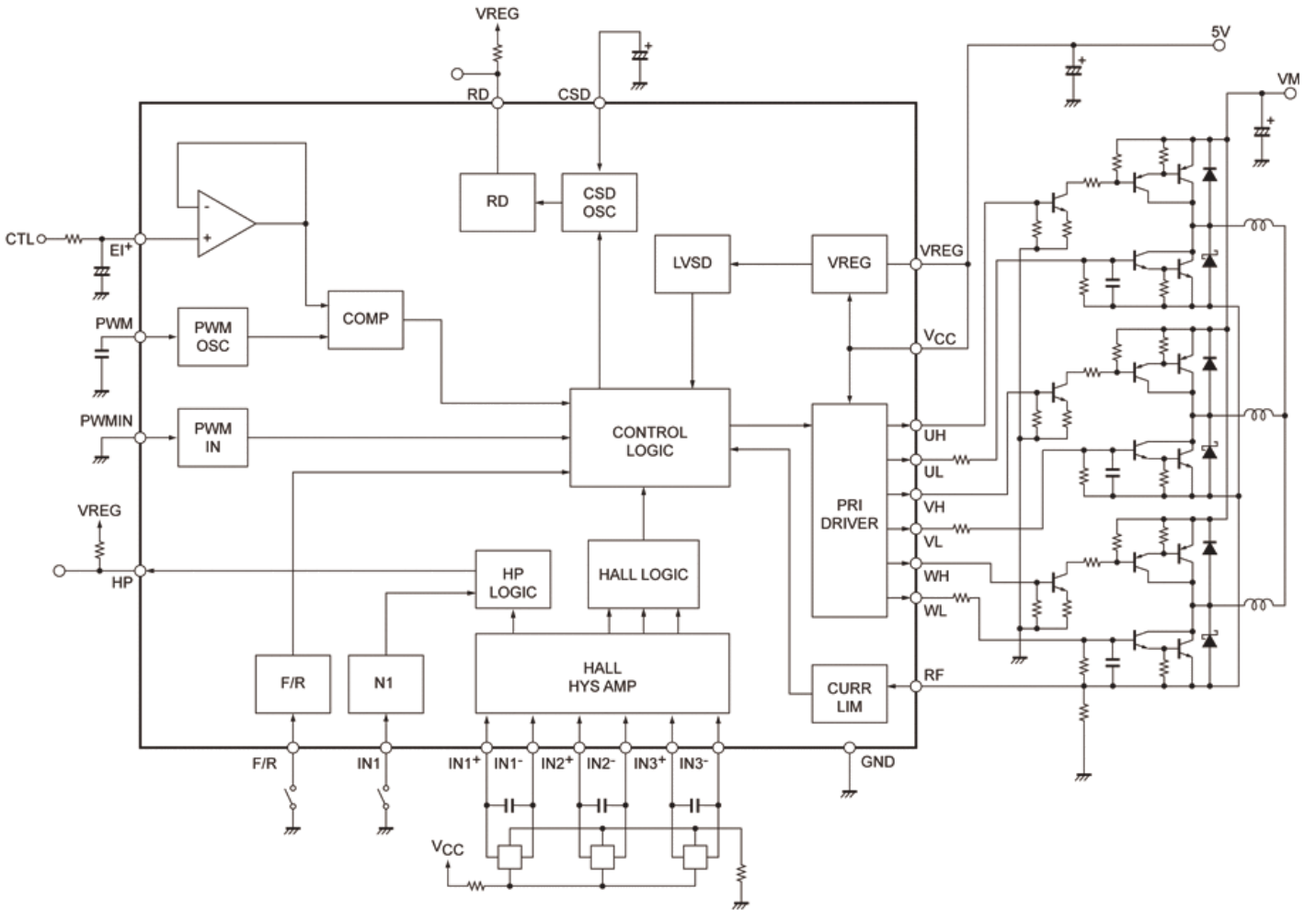
Part Electrical Specifications

Product	Compliance	Status	Phase	V _M Min (V)	V _M Max (V)	V _{CC} Min (V)	V _{CC} Max (V)	I _O Max (A)	I _O Peak Max (A)	Control Type	Package Type
LB11620GP-TE-L-H	Pb-free Halide free	Active	3			8	18	0.03		PWM	VCT-24

Application Diagram

Block Diagram and Application Example

Case) Bipolar transistor drive (high side PWM)
Using a 5V power supply



For more information please contact your local sales support at www.onsemi.com.

Created on: 1/16/2019