

Product Overview

CS51021A: Enhanced Current Mode PWM Controller for Forward or Flyback (36-72 V Telecom)

For complete documentation, see the data sheet.

The CS51021 Fixed Frequency PWM Current Mode Controller family provides all necessary features required for ac-dc or dc-dc primary side control. Several features are included eliminating the additional components needed to implement them externally. In addition to low start-up current (75 μ A) and high frequency operation capability, the Enhanced Current Mode PWM Controller includes overvoltage and undervoltage monitoring, externally programmable dual threshold overcurrent protection, current sense leading edge blanking, current slope compensation, accurate duty cycle control and an externally available 5.0 volt reference. The CS51021A features bidirectional synchronization capability, while the CS51022A offers a sleep mode with 100 μ A maximum IC current consumption. The CS51021A/2A Enhanced Current Mode PWM Controllers are available in a SOIC-16 or TSSOP-16 lead package.

Features

- 75 μ A Max. Startup Current
- Fixed Frequency Current Mode Control
- 1.0 MHz Switching Frequency
- Undervoltage Protection Monitor
- Overvoltage Protection Monitor with Programmable Hysteresis
- Programmable Dual Threshold Overcurrent Protection with Delayed Restart
- Programmable Soft Start
- Accurate Maximum Duty Cycle Limit
- Programmable Slope Compensation
- Leading Edge Current Sense Blanking

For more features, see the data sheet

Applications

- 36 - 72V Telecom

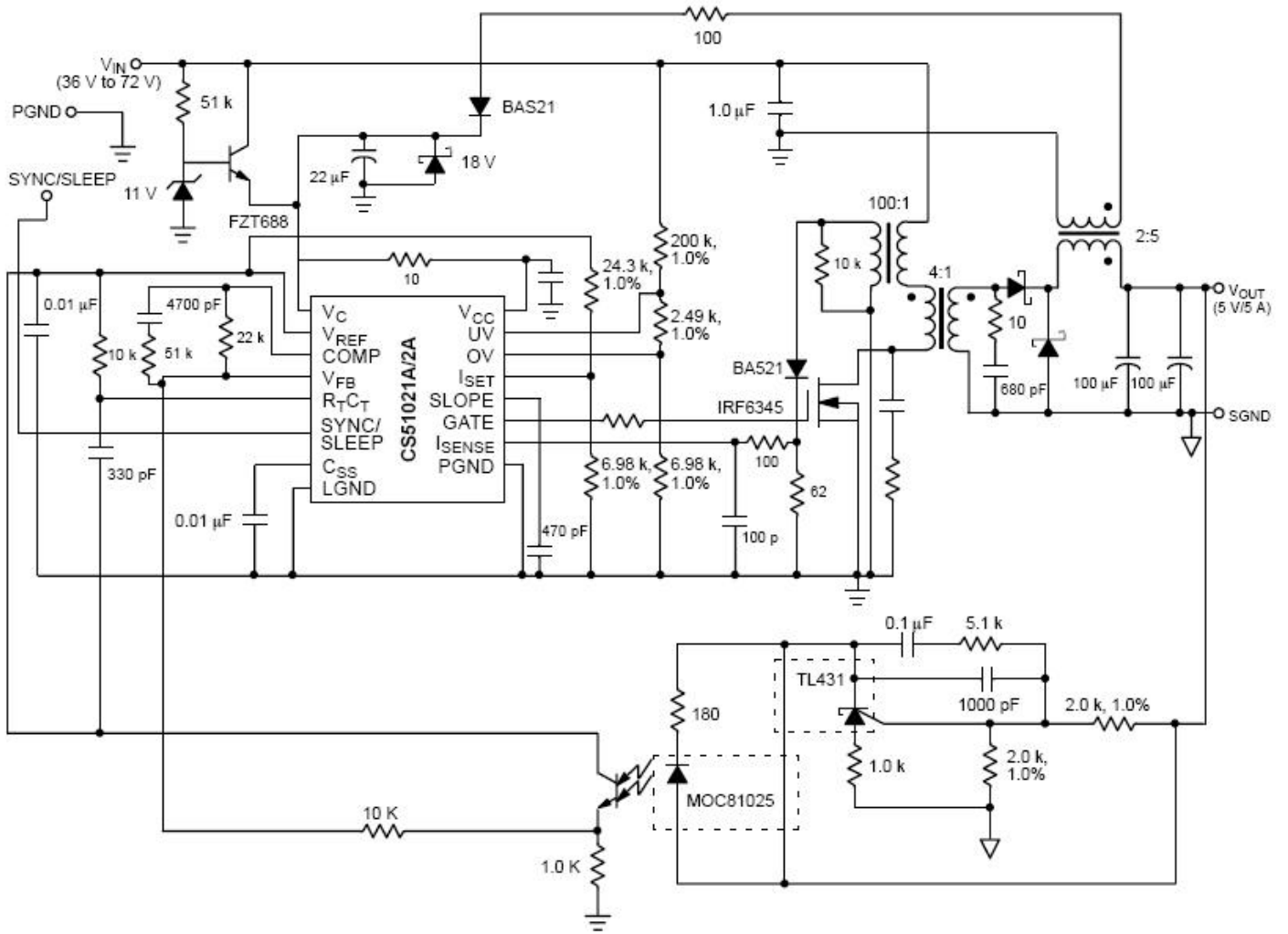
End Products

- DC-DC Telecom Bricks

Part Electrical Specifications

Product	Compliance	Status	Topology	Phases	Control Mode	V _{CC} Min (V)	V _{CC} Max (V)	f _{sw} Typ (kHz)	Package Type
CS51021AEDR16G	AEC Qualified PPAP Capable Pb-free Halide free	Active	Flyback Forward Push-Pull	1	Current Mode	8.2	20	Up to 1000	SOIC-16

Application Diagram



For more information please contact your local sales support at www.onsemi.com.

Created on: 2/15/2019