

# ON Semiconductor

## Is Now

# onsemi™

To learn more about onsemi™, please visit our website at  
[www.onsemi.com](http://www.onsemi.com)

---

**onsemi** and **onsemi** and other names, marks, and brands are registered and/or common law trademarks of Semiconductor Components Industries, LLC dba "**onsemi**" or its affiliates and/or subsidiaries in the United States and/or other countries. **onsemi** owns the rights to a number of patents, trademarks, copyrights, trade secrets, and other intellectual property. A listing of **onsemi** product/patent coverage may be accessed at [www.onsemi.com/site/pdf/Patent-Marking.pdf](http://www.onsemi.com/site/pdf/Patent-Marking.pdf). **onsemi** reserves the right to make changes at any time to any products or information herein, without notice. The information herein is provided "as-is" and **onsemi** makes no warranty, representation or guarantee regarding the accuracy of the information, product features, availability, functionality, or suitability of its products for any particular purpose, nor does **onsemi** assume any liability arising out of the application or use of any product or circuit, and specifically disclaims any and all liability, including without limitation special, consequential or incidental damages. Buyer is responsible for its products and applications using **onsemi** products, including compliance with all laws, regulations and safety requirements or standards, regardless of any support or applications information provided by **onsemi**. "Typical" parameters which may be provided in **onsemi** data sheets and/or specifications can and do vary in different applications and actual performance may vary over time. All operating parameters, including "Typicals" must be validated for each customer application by customer's technical experts. **onsemi** does not convey any license under any of its intellectual property rights nor the rights of others. **onsemi** products are not designed, intended, or authorized for use as a critical component in life support systems or any FDA Class 3 medical devices or medical devices with a same or similar classification in a foreign jurisdiction or any devices intended for implantation in the human body. Should Buyer purchase or use **onsemi** products for any such unintended or unauthorized application, Buyer shall indemnify and hold **onsemi** and its officers, employees, subsidiaries, affiliates, and distributors harmless against all claims, costs, damages, and expenses, and reasonable attorney fees arising out of, directly or indirectly, any claim of personal injury or death associated with such unintended or unauthorized use, even if such claim alleges that **onsemi** was negligent regarding the design or manufacture of the part. **onsemi** is an Equal Opportunity/Affirmative Action Employer. This literature is subject to all applicable copyright laws and is not for resale in any manner. Other names and brands may be claimed as the property of others.



## CrM Buck LED Driver Evaluation Board

Prepared by: Fabien Franc  
ON Semiconductor

ON Semiconductor®

<http://onsemi.com>

### APPLICATION NOTE

#### Introduction

This document describes the CrM Buck LED driver evaluation board. This board provides a step-down converter for driving up to 6 strings of LEDs at 240 mA from an unregulated high-voltage supply up to 250 V. Each channel is regulated using the ON Semiconductor CAT4201 step-down LED driver. The solution provides a very high overall efficiency around 95%, minimizing the heat dissipation and is ideal for powering a large number of LEDs, such as those found in LCD TV backlight applications. Mismatch between LED string forward voltages does not impact the overall efficiency as each string has an independent buck converter.

#### Board Description

The step-down conversion is achieved by a reverse Critical conduction Mode (CrM) switching regulator (CAT4201) using a high-voltage cascode MOSFET to support supply voltages up to 250 V. The switching frequency automatically adjusts itself depending on the supply voltage and the LED load configuration.

The board requires a regulated low voltage supply  $V_{CC}$  (12 V) to bias the CAT4201 LED drivers (VBAT pin). Figure 1 shows a simplified block diagram of the CrM buck

evaluation board with the power supply. For an introduction to the CAT4201 LED driver operation, please refer to pages 4, 5, and to the CAT4201 datasheet. Figures 2 and 3 show pictures of the actual board.

The evaluation boards are set-up for driving LED strings at a constant average current of 240 mA or 120 mA depending on the board configuration. This note describes the 240 mA board. Ideally, the LED string forward voltage ( $V_{LED}$ ) is close to half of the supply voltage ( $V_{IN}$ ). For example, a 100 V LED string voltage and a 200 V supply. Figure 2 shows the recommended operating condition for a range of supply and output voltages.

In order to support high supply voltages, each CAT4201 has an external cascode transistors connected between the SW pin and the LED cathode. The LED current is set-up independently on each channel by external resistors. On the CrM buck 240 mA board, the LED current is set to 240 mA on all channels. The board schematic is shown in Figure 3.

A PWM logic input (active high) allows to turn on all 6 channels together. The PWM can be used to control the brightness of the LEDs by using a PWM signal where the duty cycle sets the brightness. A frequency of 100 Hz is recommended to get the best dimming resolution.

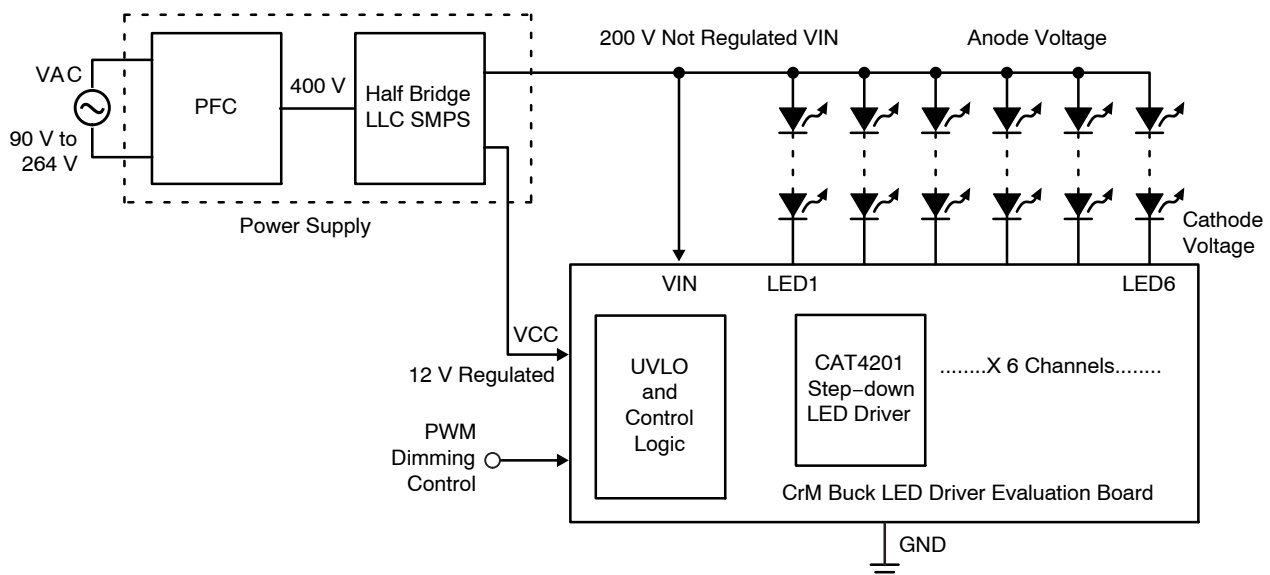


Figure 1. CrM Buck LED Driver Block Diagram

# AND8480/D

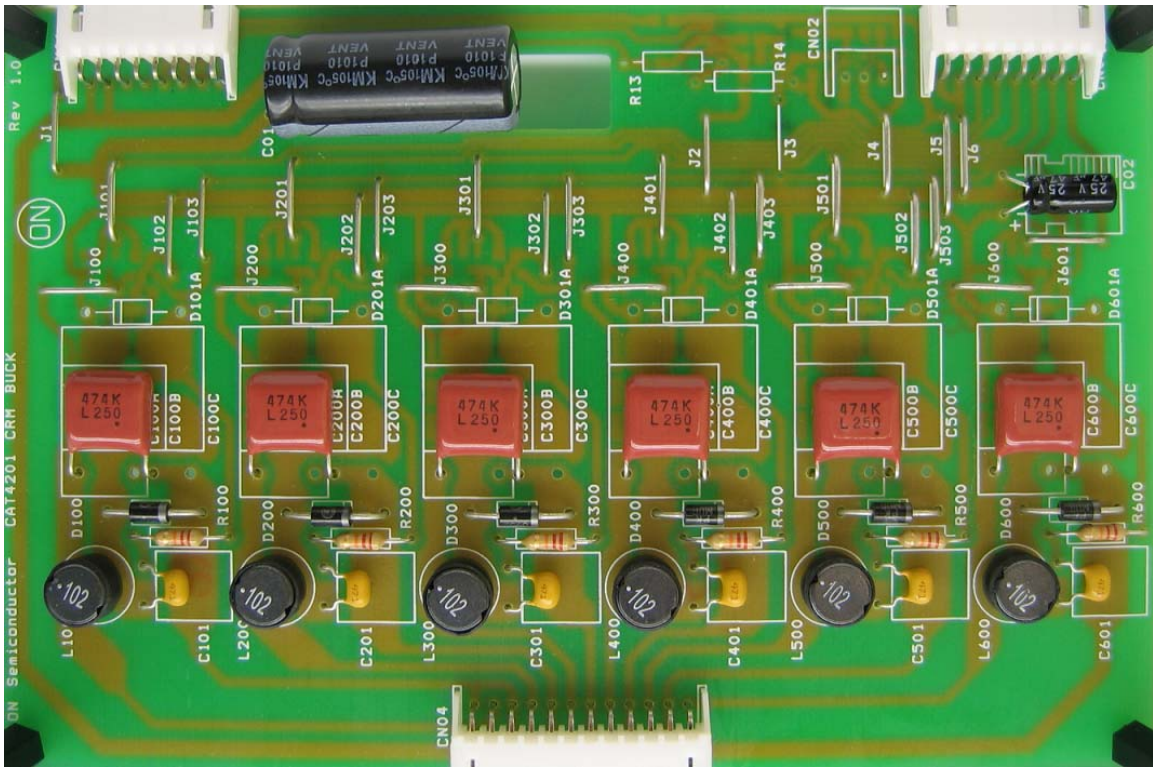


Figure 2. CrM Buck LED Driver Board (Top Side)

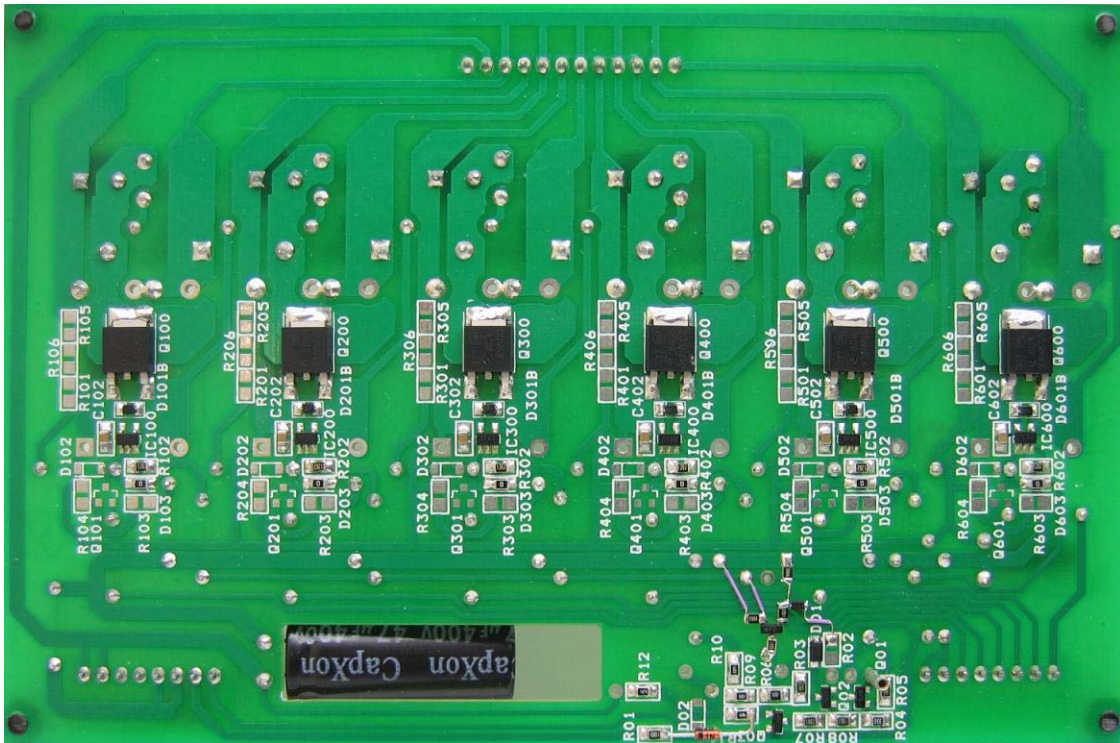


Figure 3. CrM Buck LED Driver Board (Bottom Side)

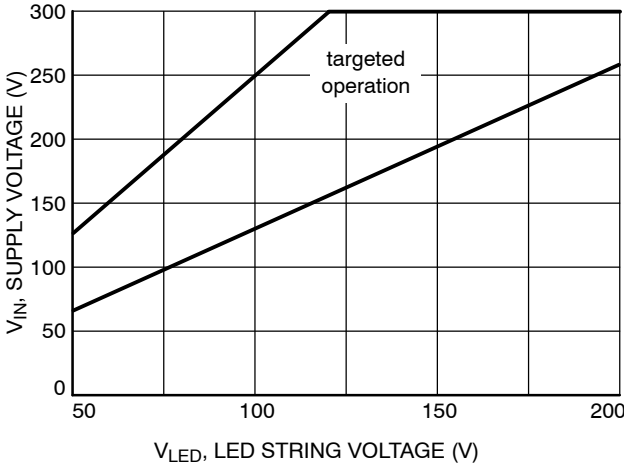
**Detailed Operation**

**Operating Voltage Range**

The graph below shows the recommended operating region for a range of  $V_{LED}$  string voltage and supply voltage  $V_{IN}$  defined by the equation:

$$1.3 \times V_{LED} < V_{IN} < 2.5 \times V_{LED}$$

For example, with  $V_{LED} = 100$  V, the recommended  $V_{IN}$  range is between 130 V minimum and 250 V maximum.



**Figure 4. Region of Operation**

**UVLO Set-up**

NOTE: The board is configured for operating  $V_{IN}$  voltage of 150 V minimum. It will not turn on for a supply below 150 V.

The high voltage power supply ( $V_{IN}$ ) should be always greater than the LED forward voltage ( $V_{LED}$ ) to guarantee proper regulation of the LED current. An undervoltage lockout (UVLO) protection logic is included on the board to shutdown all LED drivers when  $V_{IN}$  drops below a defined threshold ( $V_{UVLO}$ ). Figure 14 shows the control logic and UVLO circuitry. The following formula shows how to calculate the UVLO threshold voltage.

$$\begin{aligned} V_{UVLO} &= V_{IN(min)} \\ &= V_{CC} \times \left( 1 + \frac{(R_{12} + R_{11})}{(R_9 + R_{10})} \right) \\ &= 12 \text{ V} \times \left( 1 + \frac{(620 \text{ k}\Omega + 470 \text{ k}\Omega)}{(47 \text{ k}\Omega + 47 \text{ k}\Omega)} \right) \\ &= 12 \text{ V} \times 12.6 = 150 \text{ V} \end{aligned}$$

It is recommended to have  $V_{UVLO}$  greater than the  $V_{LEDmax} + 10$  V. The UVLO threshold can be changed, if needed, by replacing resistor  $R_{11}$  or  $R_{12}$ .

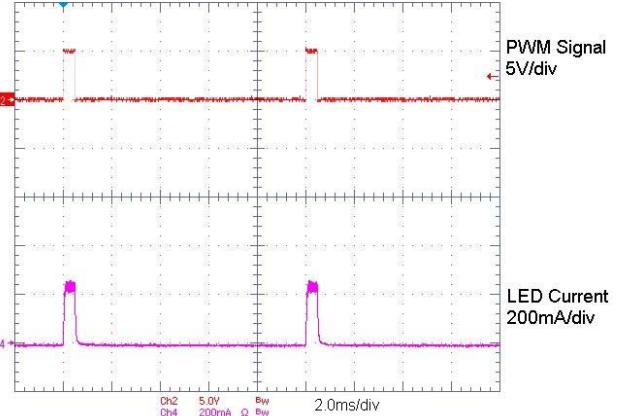
The board is configured for 12 V supply  $V_{CC}$ , if a different supply (must be below 15 V), some of the above resistors must be changed accordingly.

There is also an undervoltage protection on the supply  $V_{CC}$ . If  $V_{CC}$  drops below a threshold of about 7.6 V, the CAT4201 CTRL signal is pulled low and all CAT4201 drivers are disabled.

**LED Brightness Setting**

The LED current is set to 240 mA in each channel by the 12 k $\Omega$  resistors (Rx02) connected between each CAT4201 RSET pin and ground. For setting the LED current to another value, please refer to the CAT4201 datasheet to find out the desired resistor values.

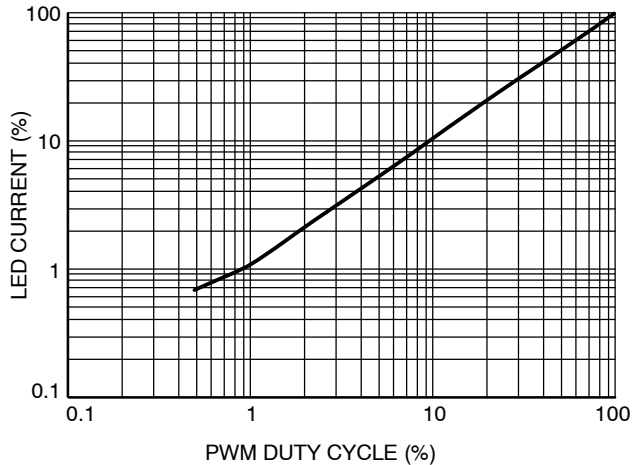
The LEDs can be dimmed dynamically by applying a 100 Hz PWM signal to the PWM input. Figure 5 shows the PWM waveform and the LED current.



**Figure 5. PWM Waveform with 5% Duty Cycle**

NOTE: The PWM input voltage should not exceed 5 V maximum. The PWM logic high level should be 2.5 V or higher.

Figure 6 shows the variation of the LED current versus the PWM duty cycle.



**Figure 6. LED Current vs. PWM Duty Cycle**

**LED Current Ripple**

The LED current ripple depends on several parameters including the LED current, the CAT4201 switching frequency and the size of the output capacitors Cx00A on each channel. A 0.47  $\mu$ F capacitor is recommended for 240 mA LED current. For smaller LED current values, the value of the output capacitors can be reduced. For 120 mA LED current, a 0.22  $\mu$ F capacitors can be used.

# AND8480/D

The voltage rating of the output capacitors Cx00A should be equal to or greater than the maximum supply voltage ( $V_{IN}$ ) in order to handle the open LED conditions. For example, for  $V_{IN}$  supply voltages up to 250 V, use 250 V rated capacitors.

Figure 7 shows the LED current variation in the six different channels; the 0% is referenced to the average of all channels.

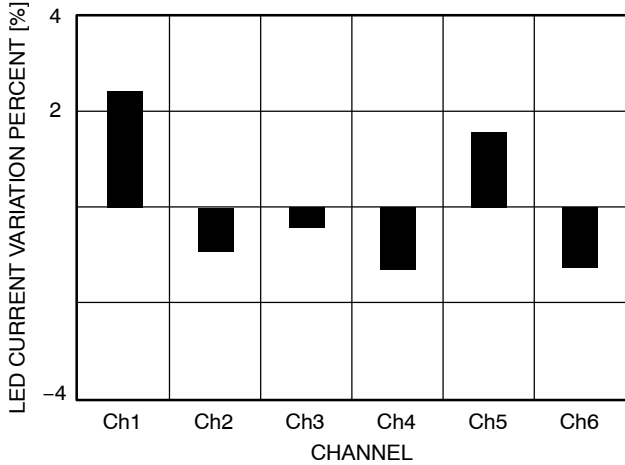


Figure 7. Channel Matching

### Performance

Figure 8 shows the efficiency versus the total LED voltage and for various  $V_{IN}$  supply voltages. For example, at  $V_{IN} = 200$  V,  $V_{LED} = 100$  V, the efficiency is about 95%. Since the efficiency is high, there is very little heat dissipated in the components on the board.

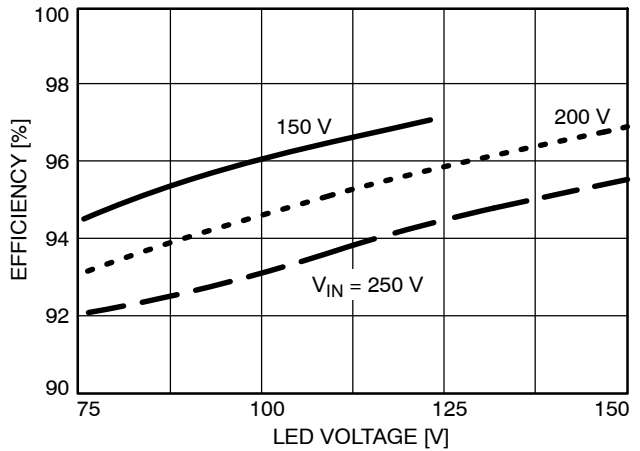


Figure 8. Efficiency vs.  $V_{IN}$  &  $V_{LED}$

Figure 9 shows the LED Current regulation versus  $V_{LED}$ . The LED current regulation is best when the supply  $V_{IN}$  is equal to twice  $V_{LED}$ .

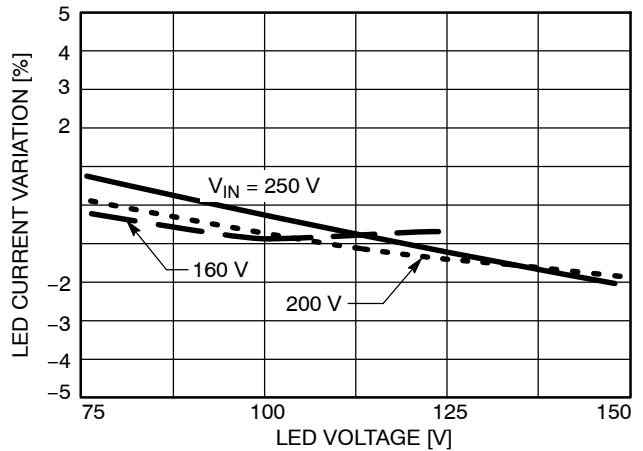


Figure 9. LED Current Line Regulation

### CAT4201 LED Driver Operation

Each LED string is controlled by a CAT4201 step-down LED driver which operates in Critical conduction mode (CRM) or Zero current switching (ZCS) mode where the inductor current swings between zero and twice the average LED current.

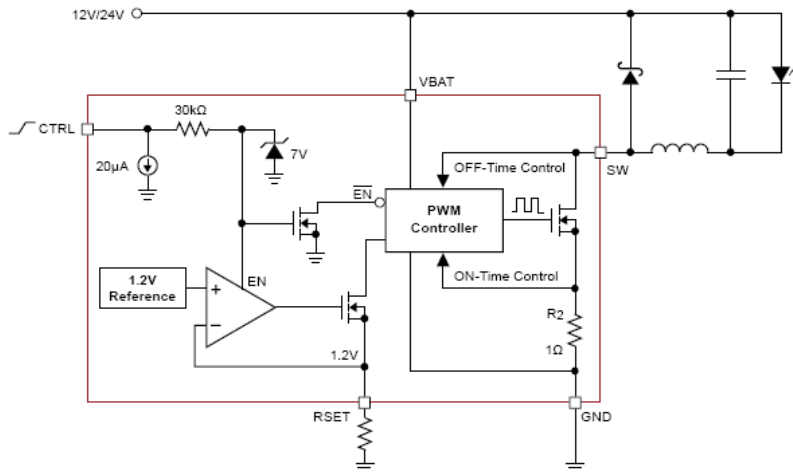


Figure 10. Simplified CAT4201 Block Diagram

The external RSET resistor sets the average LED current.

Figure 11 shows the switching waveform of the CAT4201 SW pin and the current flowing in the inductor.

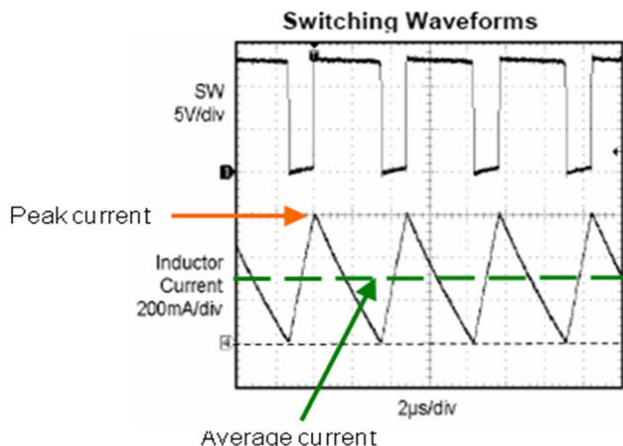


Figure 11. SW Pin and Inductor Current Waveform

In the case of the CrM buck application, long strings of LEDs require a high-voltage supply. Due to the limitation on the CAT4201 SW pin voltage rating (maximum 40 V), there is a need to add high-voltage cascode transistors (Qx00) between the inductor and the CAT4201 SW pin. The board is populated with 500 V N-channel transistors NDD03N50ZT4G from ON Semiconductor.

Figure 12 shows the power up of the circuit with the steady-state current ripple.

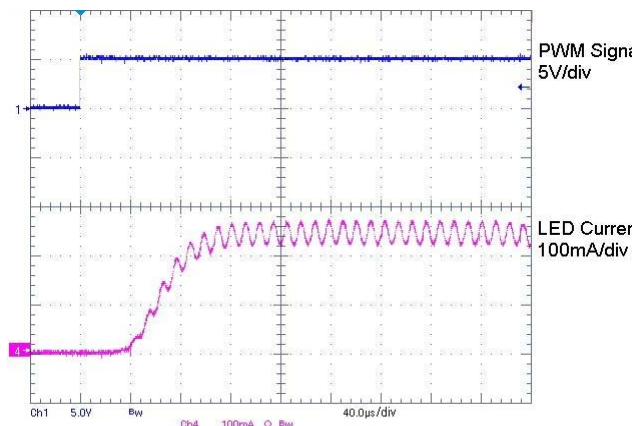


Figure 12. Power-Up Waveforms

**Switching Frequency**

For critical conduction mode, the switching frequency of the LED driver is dictated by the input voltage  $V_{IN}$ , forward LED voltage drop  $V_{LED}$ , output current  $I_{LED}$ , and the inductor ( $L_{x00}$ ). This relationship can be closely modeled by the following equation, with about 14% to account for non-idealities and loss in the various components.

$$\text{Frequency} = 0.86 \times \left[ \frac{V_{LED} - \frac{V_{LED}^2}{V_{IN}}}{2 \times I_{LED} \times L} \right]$$

For duty cycle calculations use the following equation.

$$\text{Duty Cycle} = 1 - \left( \frac{V_{LED}}{V_{IN}} \right)$$

In a typical 240 mA current setting and a 100 V string of LEDs using the 1mH inductor and a 200 V supply, the frequency should be about 90 kHz at a duty cycle of 62.5%. We recommended the 1.0 mH inductor from Würth Elektronik part number 744732102. Switching frequencies higher than 20 kHz are recommended to guarantee the best regulation. A more detailed illustration of the switching frequency is modeled by Figure 13.

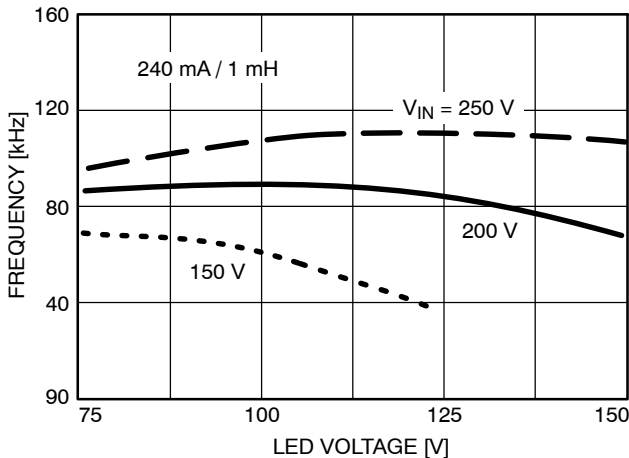


Figure 13. Frequency vs. Input Voltage

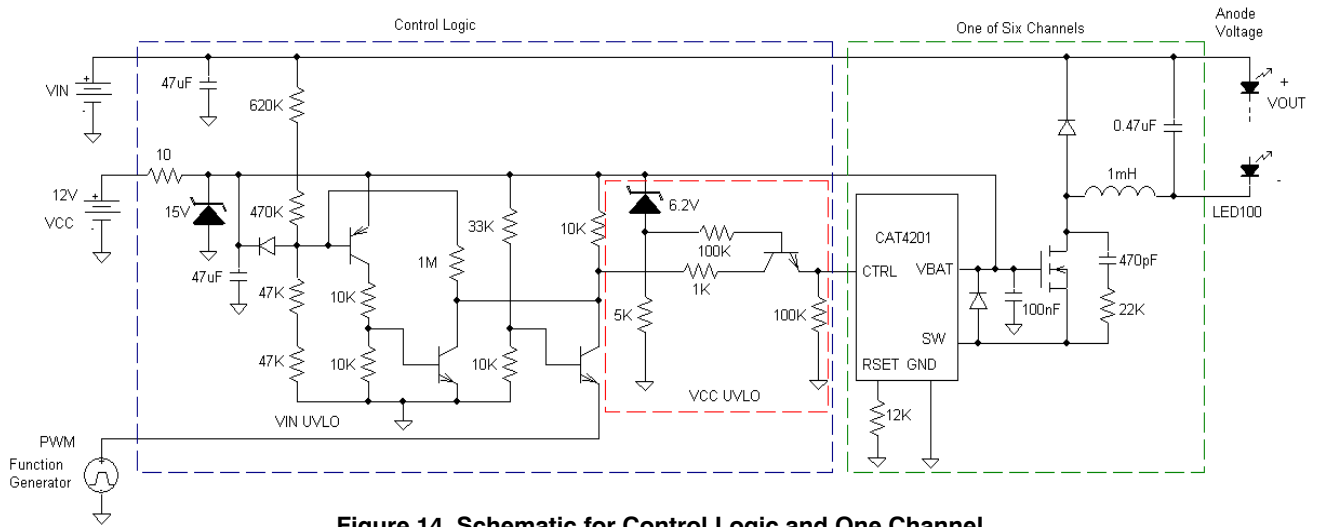
**Open and Short LED Faults**

The CrM Buck board can handle both open-LED and shorted-LED fault conditions. Since each of the 6 strings are independent from other strings, these fault conditions do not cause any significant loss of efficiency or extra heat dissipation and do not require external circuitry for protection.

In case an LED string becomes disconnected, the associated CAT4201 LED driver stops switching and the LED cathode is pulled to Ground. The voltage across the corresponding capacitor Cx00A is equal to the full  $V_{IN}$ . Therefore each capacitor should be rated to  $V_{IN}$ . There is no fault detection and no need for protection. The CAT4201 resumes normal operation as soon as the LED string is reconnected.

In case some of the LEDs within a string become shorted, the LED forward voltage is reduced and the switching frequency will adjust itself and increase, but the average LED current remains unchanged. The board can handle a large number of shorted LEDs. It is not recommended to operate with less than 4 LEDs per string as the LED current may increase.

# AND8480/D

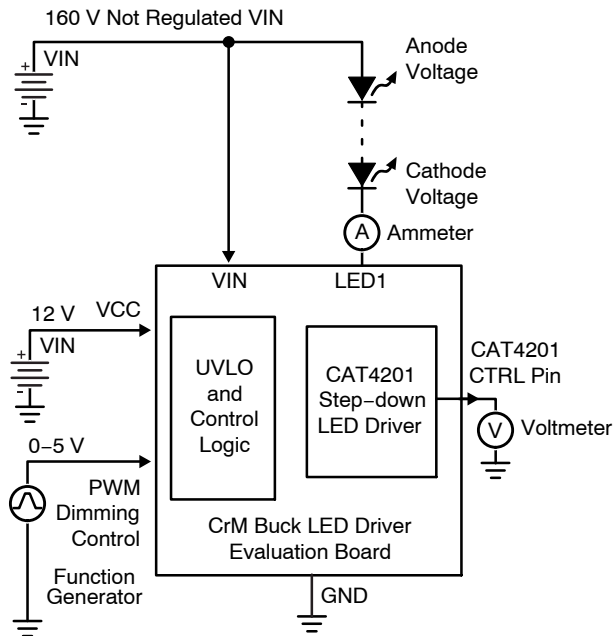


**Figure 14. Schematic for Control Logic and One Channel**

**Test Procedure**

**Warning:** Due to the high-voltage present on the board, power supply and LED load; the set-up should be handled with care.

The following steps are needed for the installation of the board together with the two power supplies and the load. In this procedure, we will limit the usage to a single channel load. Any populated channel can be tested individually. The load should be an LED string, or an equivalent resistive load, with a voltage drop of about 50 V to 60 V when biased with a 240 mA current. This test procedure is designed for channel 1 and can be replicated for the other channels. Figure 15 shows the correct test setup.



**Figure 15. Test Set-up**

- Connect the 12 V DC external supply to the board connector CN01 P2 (V<sub>CC</sub>). Connect the external supply Ground to connector CN01 P3 (GND).
- Connect a high-voltage supply ground to the connector CN01 P4 (GND). Connect the high-voltage supply to the connector CN01 P7 and P8 (VIN or V-Power). Set the high-voltage power supply current limit to 500 mA, (see Note 1).

1. If several LED channels are turned on, the high-voltage power supply current limit must be increased to the number of channels x 2 x 240 mA (for 240 mA board).

- Connect the PWM input to the connector CN02 P1. The PWM input should never exceed 5 V.
- Before powering-up the board, an LED load (or equivalent resistive load) should be connected to one of the six LED channels on connector CN04. The connector CN04 includes 6 LED cathode pins and 6 anode voltage pins connected together.
- Connect the connector CN04 P2 (LED1 channel 1) to either an LED string cathode, or to a resistive load. Connect the connector CN04 P1 (VIN) to either an LED string anode, or to the other side of a resistive load.
- Connect the PWM input to GND (disabled).
- Turn on the 12 V supply (V<sub>CC</sub>).
- Turn on the high-voltage supply (V<sub>IN</sub>) to 130 V to test the under-voltage lockout (UVLO) function.
- Set the PWM input to 5 V (enabled).
- Make sure the LEDs do *not* turn on, and the CAT4201 CTRL pin (pin 1) voltage is under 0.5 V or logic low (disabled).
- Connect the PWM input to GND (disabled).
- Set the high-voltage supply (V<sub>IN</sub>) to 160 V (above the UVLO threshold).
- Set the PWM input to 5 V (logic high).
- Measure the CAT4201 CTRL pin voltage (IC100 pin 1), the pin voltage should be around 5.2 V, well above the 3 V threshold to be in logic high (enabled).
- Measure the current in the LED string (or resistive load) with an ammeter, the average current should be around 240 mA (120 mA for 120 mA board).
- Using a function generator, set the PWM signal to have a 300 Hz frequency, a 0 V to 5 V amplitude swing, and a 50% duty cycle pulse train. Measure the average current through the load which should be around half or 120 mA.
- Connect the PWM input to GND (disabled).
- Turn off all power sources starting with the high-voltage supply (VIN).
- When testing with a board setup for 120 mA maximum LED current, the currents for 100% and 50% duty cycle PWM should be around 120 mA and 60 mA respectively.



# AND8480/D

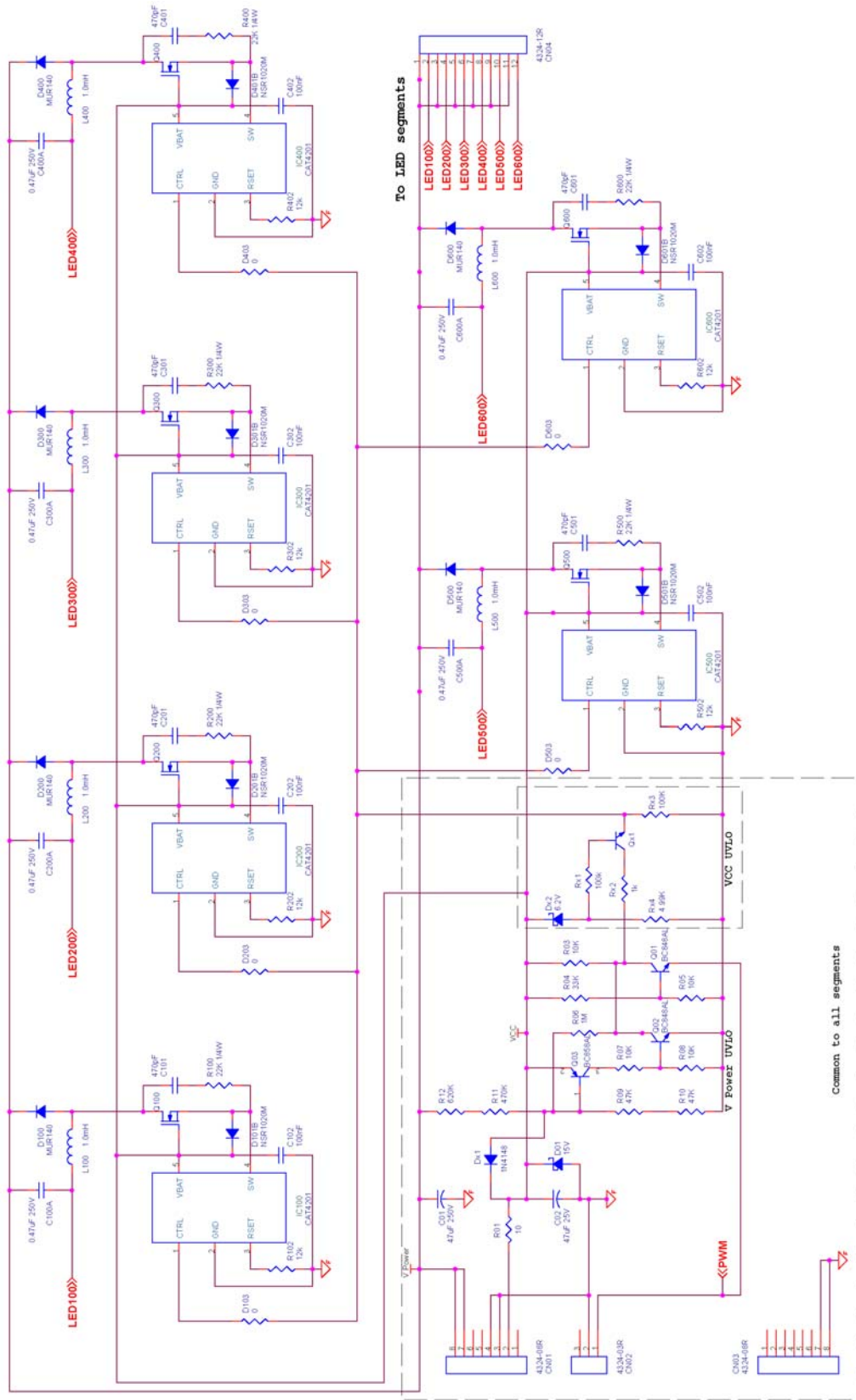


Figure 16. CrM Buck Board 240 mA Schematic

# AND8480/D

## BOARD LIST OF COMPONENTS

**Table 1. CrM BUCK BOARD LIST OF COMPONENTS CONFIGURED FOR 240 mA LED CURRENT**

Name	Manufacturer	Description	Part Number	Units
IC100, IC200, IC300, IC400, IC500, IC600	ON Semiconductor	CAT4201 Buck LED Driver	CAT4201TD	6
C01	RUBYCON	Electrolytic Cap, 47 $\mu$ F, 450 V	450BXA47MEFG18X31.5	1
C02	RUBYCON	Electrolytic Cap, 47 $\mu$ F, 25 V	25ZL47M5X11	1
C100A, C200A, C300A, C400A, C500A, C600A	Panasonic	Metal Polyester capacitor, 0.47 $\mu$ F, 250 V	ECQ-E2474KB	6
C101, C201, C301, C401, C501, C601	Kemet	Ceramic capacitor, 470 pF, 1 kV	C322C471JDG5TA	6
C102, C202, C302, C402, C502, C602	Kemet	Ceramic capacitor, 0.1 $\mu$ F, 25 V, 0805	C0805F104K3RACTU	6
CN01		8-pin connector	4324-08R	1
CN02		3-pin connector	4324-03R	1
CN04		12-pin connector	4324-12R	1
D01	ON Semiconductor	15 V zener diode, 500 mW, SOD-123	MMSZ15	1
Dx1	NXP	High Speed Switching Diode	1N4148	1
Dx2	ON Semiconductor	6.2 V zener diode, 200 mW, SOD-323	MM3Z6V2	1
D100, D200, D300, D400, D500, D600	ON Semiconductor	1 A, 400 V Ultrafast Rectifier	MUR140	6
D101B, D201B, D301B, D401B, D501B, D601B	ON Semiconductor	40 V, 0.3 A Schottky Diode, SOD-323	NSR0340H	6
D103, D203, D303, D403, D503, D603	Yageo	0 $\Omega$ resistor, 1/8 W, 0805	RC0805JR-070RL	6
L100, L200, L300, L400, L500, L600	Würth Elektronik	1 mH inductor, 0.6 A, $\pm$ 10%	744732102	6
Q01, Q02, Qx1	ON Semiconductor	NPN transistor, SOT23	BC848AL	3
Q03	ON Semiconductor	PNP transistor, SOT23	BC858AL	1
Q100, Q200, Q300, Q400, Q500, Q600	ON Semiconductor	N-Channel 500 V, 2.3 A, DPAK	NDD03N50ZT4G	6
R01	Yageo	10 $\Omega$ resistor, 1%, 0805	RC0805FR-0710RL	1
R03, R05, R07, R08	Yageo	10 k $\Omega$ resistor, 1%, 1/8 W, 0805	RC0805FR-0710KL	4
R102, R202, R302, R402, R502, R602	Yageo	12 k $\Omega$ resistor, 1%, 1/8 W, 0805	RC0805FR-0712KL	6
R04	Yageo	33 k $\Omega$ resistor, 1%, 1/8 W, 0805	RC0805FR-0733KL	1
R06	Yageo	1 M $\Omega$ resistor, 1%, 1/8 W, 0805	RC0805FR-071ML	1
R09, R10	Yageo	47 k $\Omega$ resistor, 1%, 1/8 W, 0805	RC0805FR-0747KL	2
R11	Yageo	470 k $\Omega$ resistor, 1% 1/8 W, 0805	RC0805FR-07470KL	1
R12	Yageo	620 k $\Omega$ resistor, 1%, 1/8 W, 0805	RC0805FR-07620KL	1
R100, R200, R300, R400, R500, R600	Yageo	22 k $\Omega$ resistor, 1%, 1/8 W, 0805	RC0805FR-0722KL	6
Rx1, Rx3	Yageo	100 k $\Omega$ resistor, 1% 1/8 W, 0805	RC0805FR-07100KL	2
Rx2	Yageo	1 k $\Omega$ resistor, 1%, 1/8 W, 0805	RC0805FR-071KL	1
Rx4	Yageo	4.99 k $\Omega$ resistor, 1%, 1/8 W, 0805	RC0805FR-074K99L	1

# AND8480/D

Listed below are only the components that differ from the 240 mA board configuration.

**Table 2. CrM BUCK BOARD LIST OF COMPONENTS CONFIGURED FOR 120 mA LED CURRENT**

Name	Manufacturer	Description	Part Number	Units
C100A, C200A, C300A, C400A, C500A, C600A	Panasonic	Metal Polyester capacitor, 0.22 $\mu$ F, 250 V	ECQ-E2224KF	6
D101B, D201B, D301B, D401B, D501B, D601B	ON Semiconductor	100 V Switching Diode, SOD-123	MMSD4148	6
L100, L200, L300, L400, L500, L600	Würth Elektronik	1.0 mH inductor, 0.6 A, $\pm$ 10% or 1.5 mH inductor, 0.3 A, $\pm$ 10%	744732102 or 744732152	6
R102, R202, R302, R402, R502, R602	Yageo	24 k $\Omega$ resistor, 1%, 1/8 W, 0805	RC0805FR-0724KL	6

**ON Semiconductor** and **ON** are registered trademarks of Semiconductor Components Industries, LLC (SCILLC). SCILLC reserves the right to make changes without further notice to any products herein. SCILLC makes no warranty, representation or guarantee regarding the suitability of its products for any particular purpose, nor does SCILLC assume any liability arising out of the application or use of any product or circuit, and specifically disclaims any and all liability, including without limitation special, consequential or incidental damages. "Typical" parameters which may be provided in SCILLC data sheets and/or specifications can and do vary in different applications and actual performance may vary over time. All operating parameters, including "Typicals" must be validated for each customer application by customer's technical experts. SCILLC does not convey any license under its patent rights nor the rights of others. SCILLC products are not designed, intended, or authorized for use as components in systems intended for surgical implant into the body, or other applications intended to support or sustain life, or for any other application in which the failure of the SCILLC product could create a situation where personal injury or death may occur. Should Buyer purchase or use SCILLC products for any such unintended or unauthorized application, Buyer shall indemnify and hold SCILLC and its officers, employees, subsidiaries, affiliates, and distributors harmless against all claims, costs, damages, and expenses, and reasonable attorney fees arising out of, directly or indirectly, any claim of personal injury or death associated with such unintended or unauthorized use, even if such claim alleges that SCILLC was negligent regarding the design or manufacture of the part. SCILLC is an Equal Opportunity/Affirmative Action Employer. This literature is subject to all applicable copyright laws and is not for resale in any manner.

## PUBLICATION ORDERING INFORMATION

### LITERATURE FULFILLMENT:

Literature Distribution Center for ON Semiconductor  
P.O. Box 5163, Denver, Colorado 80217 USA  
**Phone:** 303-675-2175 or 800-344-3860 Toll Free USA/Canada  
**Fax:** 303-675-2176 or 800-344-3867 Toll Free USA/Canada  
**Email:** [orderlit@onsemi.com](mailto:orderlit@onsemi.com)

**N. American Technical Support:** 800-282-9855 Toll Free  
USA/Canada  
**Europe, Middle East and Africa Technical Support:**  
Phone: 421 33 790 2910  
**Japan Customer Focus Center**  
Phone: 81-3-5773-3850

**ON Semiconductor Website:** [www.onsemi.com](http://www.onsemi.com)

**Order Literature:** <http://www.onsemi.com/orderlit>

For additional information, please contact your local Sales Representative