

ON Semiconductor

Is Now

onsemi™

To learn more about onsemi™, please visit our website at
www.onsemi.com

onsemi and **onsemi** and other names, marks, and brands are registered and/or common law trademarks of Semiconductor Components Industries, LLC dba "**onsemi**" or its affiliates and/or subsidiaries in the United States and/or other countries. **onsemi** owns the rights to a number of patents, trademarks, copyrights, trade secrets, and other intellectual property. A listing of **onsemi** product/patent coverage may be accessed at www.onsemi.com/site/pdf/Patent-Marking.pdf. **onsemi** reserves the right to make changes at any time to any products or information herein, without notice. The information herein is provided "as-is" and **onsemi** makes no warranty, representation or guarantee regarding the accuracy of the information, product features, availability, functionality, or suitability of its products for any particular purpose, nor does **onsemi** assume any liability arising out of the application or use of any product or circuit, and specifically disclaims any and all liability, including without limitation special, consequential or incidental damages. Buyer is responsible for its products and applications using **onsemi** products, including compliance with all laws, regulations and safety requirements or standards, regardless of any support or applications information provided by **onsemi**. "Typical" parameters which may be provided in **onsemi** data sheets and/or specifications can and do vary in different applications and actual performance may vary over time. All operating parameters, including "Typicals" must be validated for each customer application by customer's technical experts. **onsemi** does not convey any license under any of its intellectual property rights nor the rights of others. **onsemi** products are not designed, intended, or authorized for use as a critical component in life support systems or any FDA Class 3 medical devices or medical devices with a same or similar classification in a foreign jurisdiction or any devices intended for implantation in the human body. Should Buyer purchase or use **onsemi** products for any such unintended or unauthorized application, Buyer shall indemnify and hold **onsemi** and its officers, employees, subsidiaries, affiliates, and distributors harmless against all claims, costs, damages, and expenses, and reasonable attorney fees arising out of, directly or indirectly, any claim of personal injury or death associated with such unintended or unauthorized use, even if such claim alleges that **onsemi** was negligent regarding the design or manufacture of the part. **onsemi** is an Equal Opportunity/Affirmative Action Employer. This literature is subject to all applicable copyright laws and is not for resale in any manner. Other names and brands may be claimed as the property of others.

AND8336

Design Examples of On Board Dual Supply Voltage Logic Translators

Prepared by: Jim Lepkowski
ON Semiconductor

Introduction

Logic translators can be used to connect ICs together that are located on the same PCB and use different supply voltages. Figure 1 lists popular applications that use dual supply voltage translators to interface a microprocessor and peripheral IC. The following design examples will be discussed in this document:

- I²C™ Bus
 - SMBus
 - PMBus
- SPI Bus
- Memory Mapped I/O
- UARTs
- USB Ports



ON Semiconductor®

<http://onsemi.com>

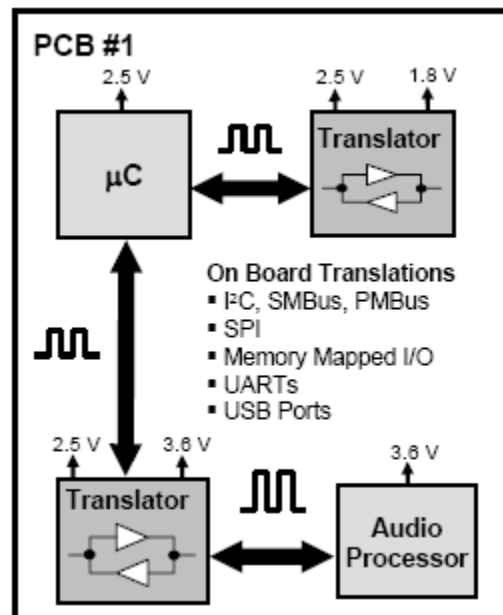


Figure 1. Dual Power Supply Translators Connect ICs Together in Mixed Voltage Systems by Shifting the Logic Levels of the Control and Data Signals

I²C Bus

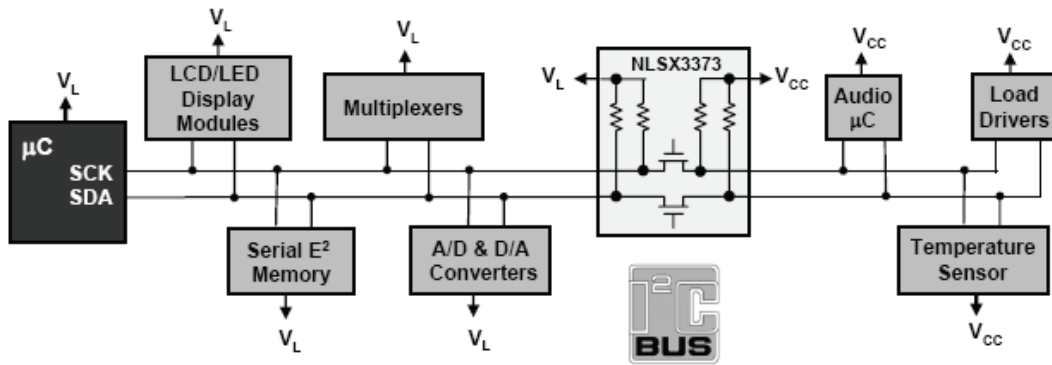


Figure 2. Open-Drain Autosense Voltage Translators Connect a Processor to I²C Bus Peripherals that have Different Operating Voltages

The Inter-Integrated Circuit (I²C) bus was developed by Philips (NXP) in the early 1980s and has developed into an industry standard protocol. Figure 2 provides a design example of a microprocessor system that incorporates the I²C bus. The main advantage of I²C is that only two I/O lines are required. A read or write operation is determined by the R/W bit, and microprocessor direction and address pins are

not required. In addition, data is received and transmitted independent of the microprocessor's control routine. A read/write operation receives/transmits data to the processor's control routine only after the data buffer is filled. Figure 3 and reference [1] provide details on the I²C open-drain bus protocol.

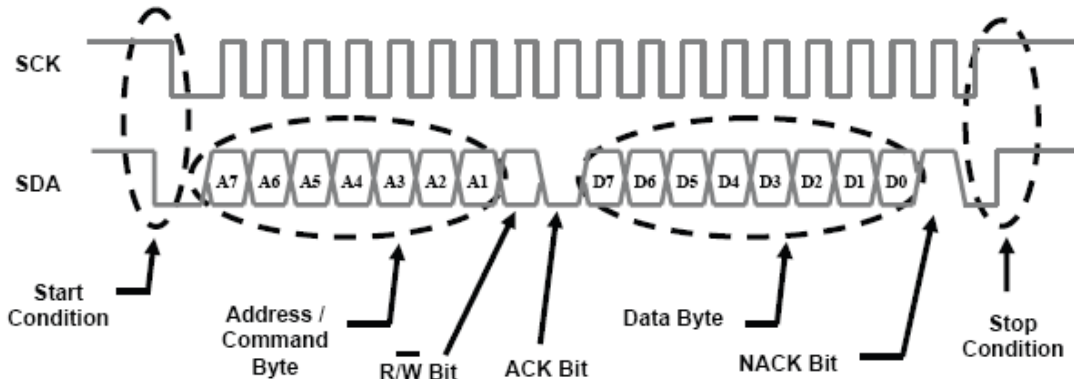


Figure 3. The I²C Serial Communication Frame Consists of Serial Clock (SCK) and Serial Data (SDA) Signal Lines

Several popular communication buses have emerged that are similar to I²C to serve target applications. The System Management Bus (SMBus), shown in Figure 4, is widely used in PC motherboard applications such as thermal management systems that monitor the microcontroller and PCB temperatures, in addition to controlling the cooling fan. The Power Management Bus (PMBus), shown in Figure 5,

is an emerging standard in power delivery systems. In contrast, the I²C bus is the preferred bus for general purpose microcontroller applications. The main advantage of the SMBus is the bus recovery feature that resets the open-drain signals if they are at a logic "0" state for more than 35 ms. An overview of the attributes of the I²C and SMBus protocols is shown in Table 1.

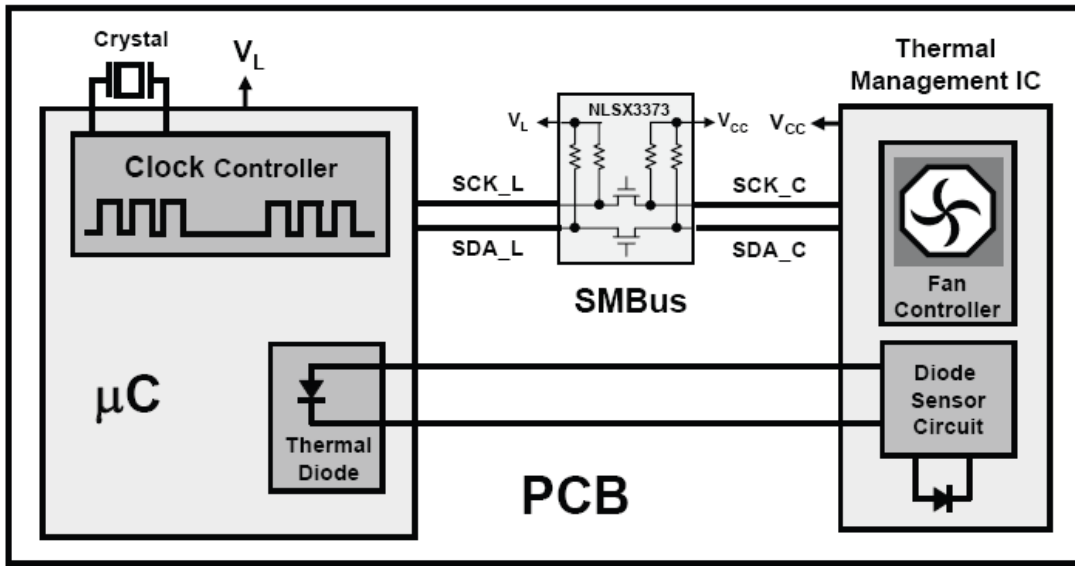


Figure 4. The SMBus is Used to Transfer Control Information and Implement a Clock-Skipping Mode to Reduce the Microcontroller’s Temperature

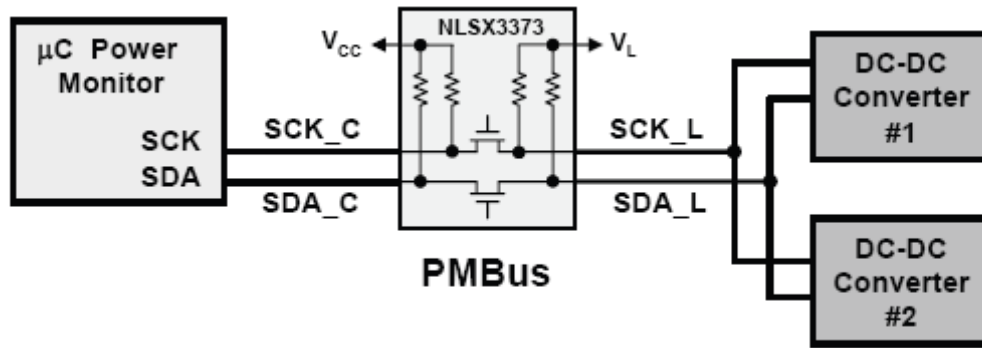


Figure 5. The PMBus is Often Used in Point of Load (POL) Power Supplies to Provide Control and Status Information to a Power Monitor Microcontroller

Table 1. ATTRIBUTES OF THE I²C AND SMBUS SERIAL COMMUNICATION PROTOCOLS

Parameter	I ² C	SMBus
Timeout / Data Recovery	No	Yes (35 ms)
Min. Clock Speed	DC	10 KHz
Max. Clock Speed	100 KHz / 400 KHz / 3.4 MHz Standard / Fast / High-Speed Mode	100 KHz
V _H	0.7 * V _{DD} , 3.0 V (Fixed)	2.1 V
V _L	0.3 * V _{DD} , 1.5 V (Fixed)	0.8 V
I _{MAX}	3 mA	350 μA

SPI Bus

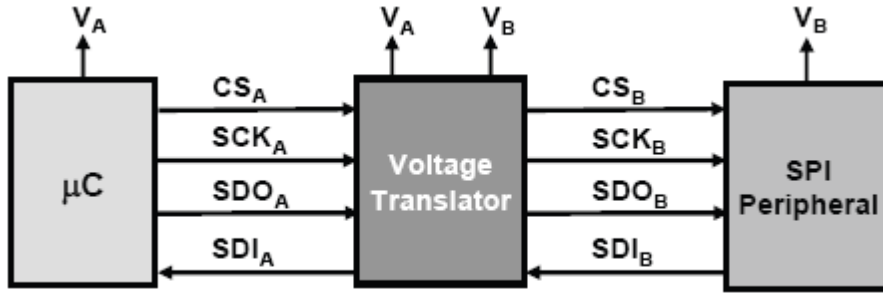
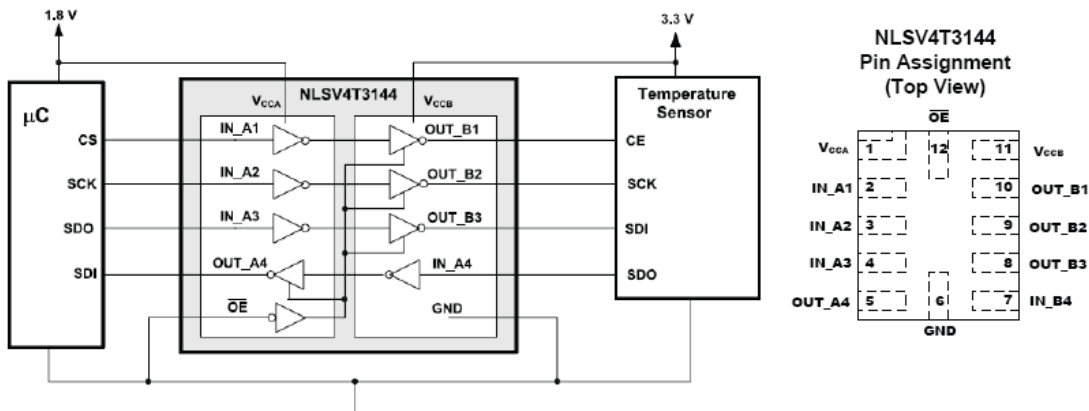


Figure 6. SPI Consists of a Chip Select (CS), System Clock (SCK), Serial Data Output (SDO) and Serial Data Input (SDI) Signals

The Serial Peripheral Interface (SPI) bus, shown in Figure 6, is a synchronous serial communication protocol that can simultaneously receive and transmit data. SPI is a popular protocol developed from the Motorola (Freescale) Master Output Slave Input (MOSI) and Master Input Slave

Output (MISO) microprocessor bus. SPI offers a higher data transfer rate than I²C because there is no maximum clock frequency specification. A negative feature of SPI is that the protocol requires either a chip select line per peripheral or address decoding.



NLSV4T3144 Pin Assignment (Top View)

V _{GCA}	1	12	11	V _{GCB}
IN _{A1}	2		10	OUT _{B1}
IN _{A2}	3		9	OUT _{B2}
IN _{A3}	4		8	OUT _{B3}
OUT _{A4}	5	6	7	IN _{B4}
				GND

Figure 7. The Three Input / One Output Circuit Topology of the NLSV4T3144 Matches the I/O Structure of the Four Wire SPI Bus

Both uni-directional and autosense voltage translators can be used to interface a microprocessor and SPI peripheral, as shown in Figures 7 and 8. The I/O pin locations of the NLSV4T3144 and NLSX3014 accommodate a straight feed

through design, which is a convenient PCB layout feature. Figure 9 shows an autosense translator can be used in SPI ports that use a single bi-directional data line.

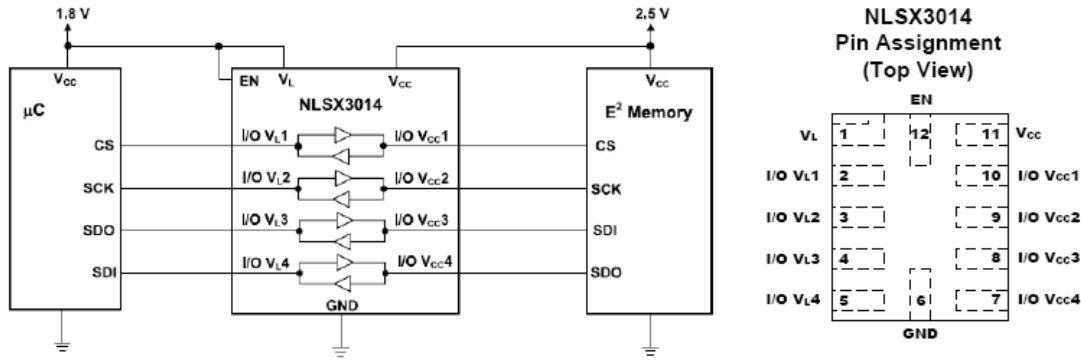


Figure 8. The Autosense Translator's I/O Pins Can Function as Either an Input or Output, Which is an Advantage in SPI Translator Applications

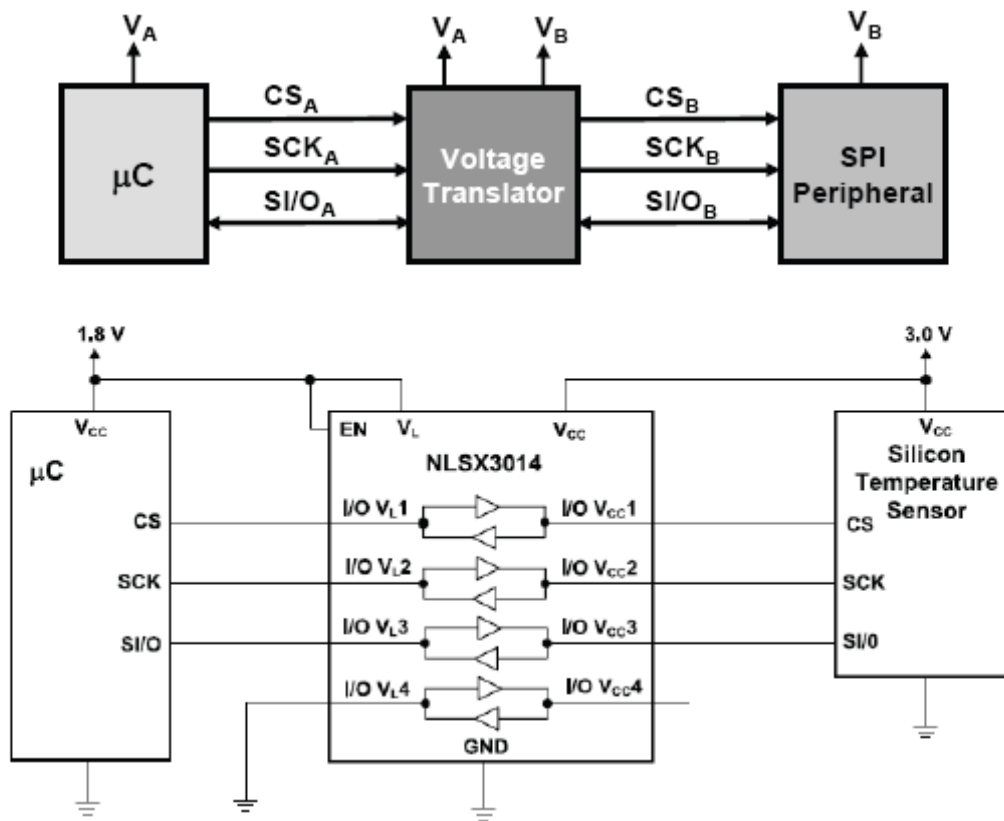


Figure 9. Autosense Translators Can be Used for SPI Ports that Combine the Input (SDI) and Output (SDO) Data Lines into a Single Bi-directional Signal (SI/O)

Memory Mapped I/O

Memory Mapped I/O circuits typically use bi-directional with direction pin translators to connect multiple peripheral ICs to a single microcontroller. The directional pin determines if data is received or transmitted to a peripheral

IC via a Read/Write statement. The microcontroller address pins select or 'map' multiple peripheral devices to a single data bus. Figures 10 and 11 provide examples of memory map I/O translator applications.

AND8336

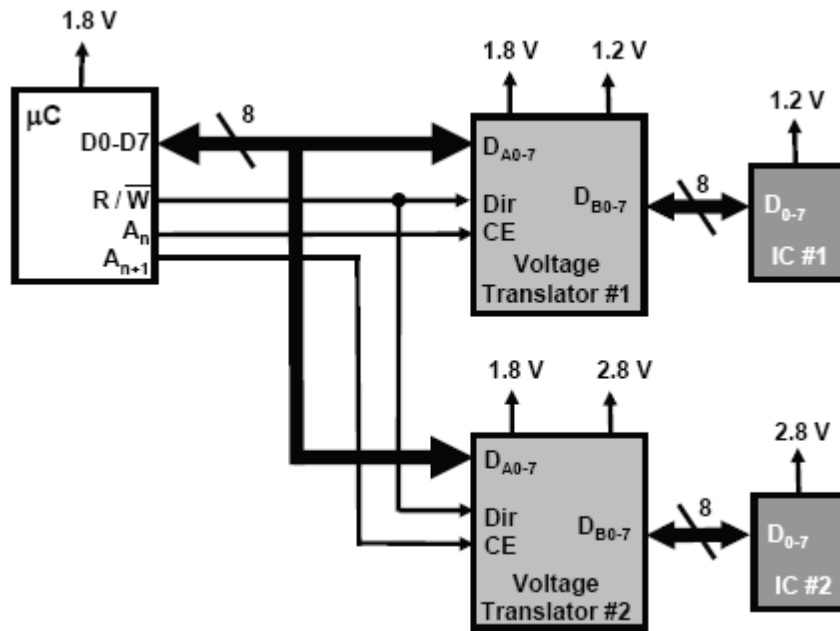


Figure 10. Memory Mapped I/O Translators are Often Used with Relatively High Pin Count Microprocessors that Need Fast Data Transfers

Memory Mapped I/O uses a parallel data format. Therefore the transfer rate is proportional to the number of data bits. In addition, the communication speed is equal to the duration of the Read/Write instruction cycle time of the microcontroller and peripherals; thus, the control program is delayed by slow I/O devices. A disadvantage of Memory Mapped I/O is that address lines are used to generate the chip

enables of the peripheral ICs because a relatively large number of microcontroller I/O pins are required. For example, the circuit shown in Figure 10 requires 11 microprocessor I/O lines (8 data, 1 Read/Write, 2 address lines). In contrast, the I²C bus uses only 2 I/O lines (SDA, SCK).

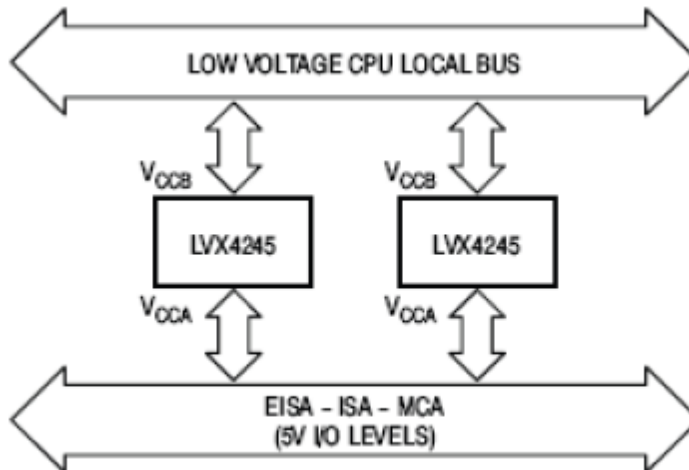


Figure 11. The MC74LVX4245 is a Dual Supply Bi-Directional with Direction Pin Translator that can be Used to Interface a 5 V I/O Bus to a 3.3 V Microprocessor

UARTs

A universal, asynchronous receiver / transmitter (UART) communications port can be used to transfer data between the processor and a peripheral device. UART ports are included in most microprocessors and are also available in stand alone ICs. Figure 12 shows a circuit where the UART

transfers data between a control and audio processor. A logic translator is needed in this example because the audio IC operates at a higher voltage than the control processor in order to produce a detectable audio signal. In addition, voltage translators are often required for UARTs in RS-232, RS-422 and RS-485 applications.

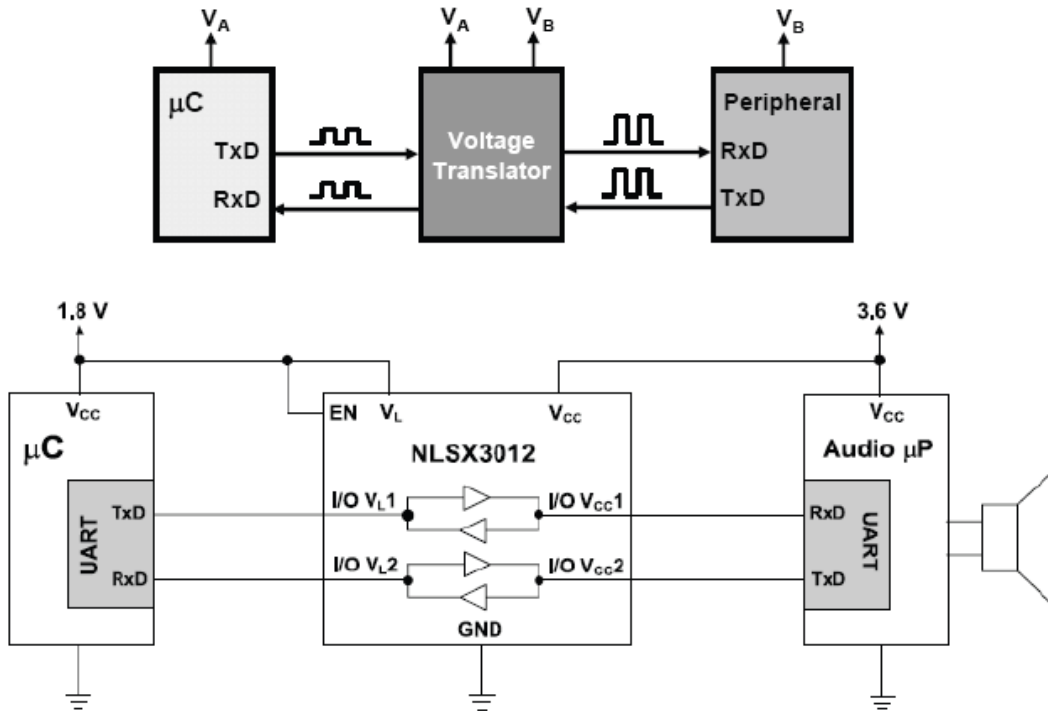


Figure 12. Voltage Translators are Often used with UARTs to Interface a Low Voltage Processor to a Higher Operating Voltage Analog IC, Such as an Audio Processor

USB Ports

Dual supply voltage translators can be used to shift the voltage levels of a Universal Serial Bus (USB) signal. Figures 13 and 14 provide design examples using an

autosense and uni-directional translator, respectively. Voltage translators offer cost savings over standard USB transceivers.

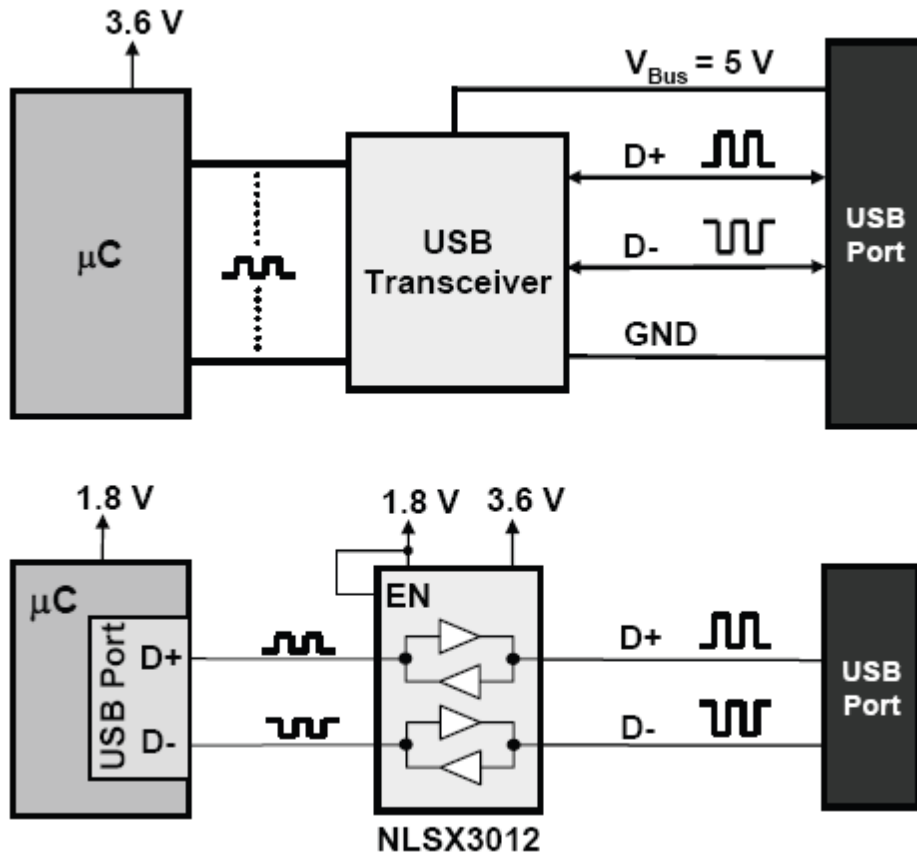


Figure 13. An Autosense Translator Can be used to Increase the Voltage of a Low Voltage Microcontroller that has an Integrated USB Port

AND8336

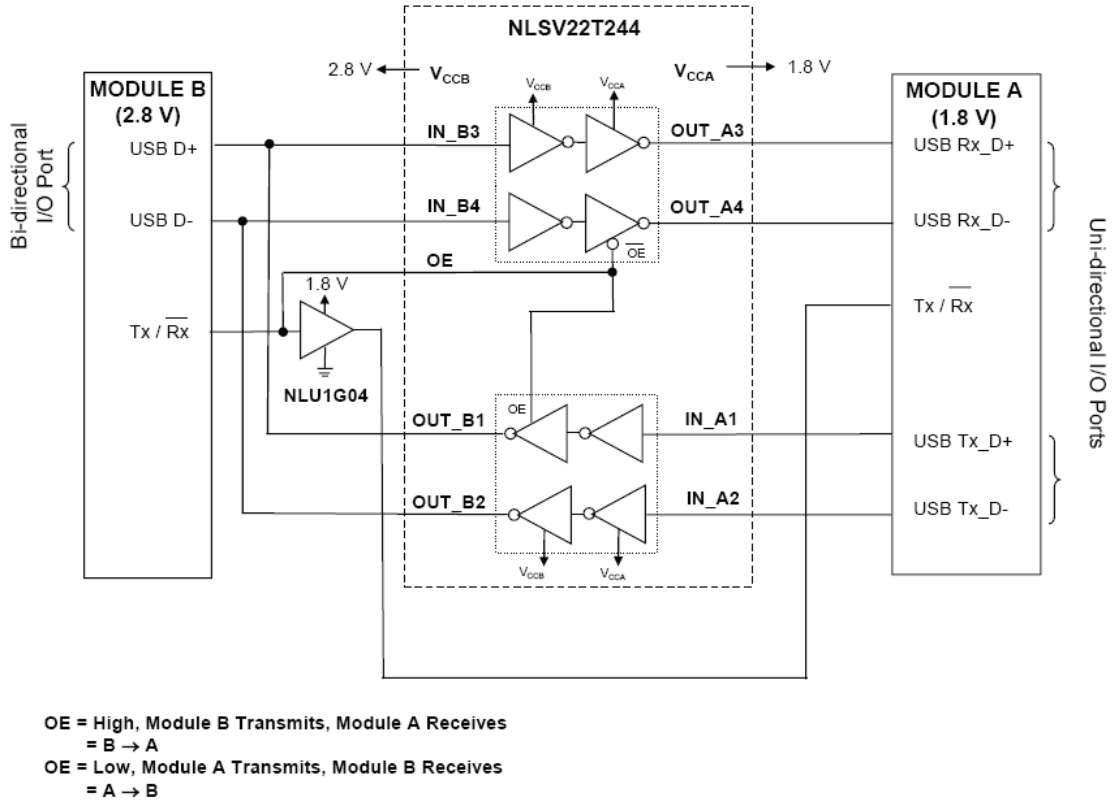


Figure 14. A Dual Two Channel Uni-Directional Translator Can Function as a Bi-Directional USB Transceiver

Bibliography

1. "UM10204: I²C Bus Specification and User Manual", NXP Semiconductor, 2007.

Industry Websites for Further Information

- Power Management Bus (PMBus), www.pmbus.org.
- Systems Management Bus (SMBus), www.smbus.org.

APPENDIX I: ON DUAL POWER SUPPLY AUTOSENSE VOLTAGE TRANSLATORS

	Autosense Bi-Directional Translators (Push-Pull Output)	Autosense Bi-Directional Translators (Open-Drain Output)
Block Diagram		
Attributes	<ul style="list-style-type: none"> • High Data Rate • Low Power Consumption • Flexible PCB Design 	<ul style="list-style-type: none"> • High Output Drive • Low Power Consumption • Flexible PCB Design
Trade-Offs	<ul style="list-style-type: none"> • Modest Output Current 	<ul style="list-style-type: none"> • Modest Bandwidth
Applications	<ul style="list-style-type: none"> • SPI • UARTs • USB Ports • GPIO 	<ul style="list-style-type: none"> • I²C, SMBus, PMBus • SIM / SDIO Cards • Display Modules • HDMI • 1-Wire Bus™ • GPIO
ON Products (I/O Channels / Package)	<ul style="list-style-type: none"> • NLSX3012 (2-bit, UDFN-8) • NLSX3014 (4-bit, UQFN-12) • NLSX3013 (8-bit, CSP-20) • NLSX3018 (8-bit, UDFN-20) • NLSX4014 (4-bit, UQFN-12) 	<ul style="list-style-type: none"> • NLSX3373 (2-bit, UDFN-8) • NLSX3378 (4-bit, CSP-12)

AND8336

APPENDIX II: ON DUAL POWER SUPPLY UNI-DIRECTIONAL AND BI-DIRECTIONAL WITH DIRECTIONAL PIN VOLTAGE TRANSLATORS

	Uni-Directional Translators	Bi-Directional with Directional Pin Translators
Block Diagram		
Attributes	<ul style="list-style-type: none"> ● High Data Rate ● Low Power Consumption 	<ul style="list-style-type: none"> ● High Data Rate ● High Output Drive
Trade-Offs	<ul style="list-style-type: none"> ● Fixed Input & Output Pins 	<ul style="list-style-type: none"> ● All I/O Lines Configured for Either A-to-B or B-to-A Single Direction Translation ● Control Pin Limits Usability in Pin Sensitive Portable Applications
Applications	<ul style="list-style-type: none"> ● SPI ● USB Ports ● GPIO 	<ul style="list-style-type: none"> ● Memory Mapped I/O ● GPIO
ON Products (I/O Channels / Package)	<ul style="list-style-type: none"> ● NLSV1T34 (1-bit, ULLGA-6) ● NLSV1T240 / 244 (1-bit, UDFN-6) ● NLSV2T240 / 244 (2-bit, UDFN-8) ● NLSV4T240 / 244 (4-bit, UQFN-12) ● NLSV4T3234 (4-bit, CSP-11) ● NLSV8T240 / 244 (8-bit, UDFN-20) 	<ul style="list-style-type: none"> ● MC74LVXC4245 (8-bit, SOIC-24, TSSOP-24) ● MC74LVXC3245 (8-bit, SOIC-24, TSSOP-24)

I²C Bus is a registered trademark of NXP / Philips Semiconductor.

1-Wire Bus is a registered trademark of Maxim / Dallas Semiconductor.

ON Semiconductor and are registered trademarks of Semiconductor Components Industries, LLC (SCILLC). SCILLC reserves the right to make changes without further notice to any products herein. SCILLC makes no warranty, representation or guarantee regarding the suitability of its products for any particular purpose, nor does SCILLC assume any liability arising out of the application or use of any product or circuit, and specifically disclaims any and all liability, including without limitation special, consequential or incidental damages. "Typical" parameters which may be provided in SCILLC data sheets and/or specifications can and do vary in different applications and actual performance may vary over time. All operating parameters, including "Typicals" must be validated for each customer application by customer's technical experts. SCILLC does not convey any license under its patent rights nor the rights of others. SCILLC products are not designed, intended, or authorized for use as components in systems intended for surgical implant into the body, or other applications intended to support or sustain life, or for any other application in which the failure of the SCILLC product could create a situation where personal injury or death may occur. Should Buyer purchase or use SCILLC products for any such unintended or unauthorized application, Buyer shall indemnify and hold SCILLC and its officers, employees, subsidiaries, affiliates, and distributors harmless against all claims, costs, damages, and expenses, and reasonable attorney fees arising out of, directly or indirectly, any claim of personal injury or death associated with such unintended or unauthorized use, even if such claim alleges that SCILLC was negligent regarding the design or manufacture of the part. SCILLC is an Equal Opportunity/Affirmative Action Employer. This literature is subject to all applicable copyright laws and is not for resale in any manner.

PUBLICATION ORDERING INFORMATION

LITERATURE FULFILLMENT:
Literature Distribution Center for ON Semiconductor
P.O. Box 5163, Denver, Colorado 80217 USA
Phone: 303-675-2175 or 800-344-3860 Toll Free USA/Canada
Fax: 303-675-2176 or 800-344-3867 Toll Free USA/Canada
Email: orderlit@onsemi.com

N. American Technical Support: 800-282-9855 Toll Free
USA/Canada
Europe, Middle East and Africa Technical Support:
Phone: 421 33 790 2910
Japan Customer Focus Center
Phone: 81-3-5773-3850

ON Semiconductor Website: www.onsemi.com
Order Literature: <http://www.onsemi.com/orderlit>
For additional information, please contact your local Sales Representative