

# ON Semiconductor

## Is Now

# onsemi™

To learn more about onsemi™, please visit our website at  
[www.onsemi.com](http://www.onsemi.com)

---

**onsemi** and **onsemi** and other names, marks, and brands are registered and/or common law trademarks of Semiconductor Components Industries, LLC dba "**onsemi**" or its affiliates and/or subsidiaries in the United States and/or other countries. **onsemi** owns the rights to a number of patents, trademarks, copyrights, trade secrets, and other intellectual property. A listing of **onsemi** product/patent coverage may be accessed at [www.onsemi.com/site/pdf/Patent-Marking.pdf](http://www.onsemi.com/site/pdf/Patent-Marking.pdf). **onsemi** reserves the right to make changes at any time to any products or information herein, without notice. The information herein is provided "as-is" and **onsemi** makes no warranty, representation or guarantee regarding the accuracy of the information, product features, availability, functionality, or suitability of its products for any particular purpose, nor does **onsemi** assume any liability arising out of the application or use of any product or circuit, and specifically disclaims any and all liability, including without limitation special, consequential or incidental damages. Buyer is responsible for its products and applications using **onsemi** products, including compliance with all laws, regulations and safety requirements or standards, regardless of any support or applications information provided by **onsemi**. "Typical" parameters which may be provided in **onsemi** data sheets and/or specifications can and do vary in different applications and actual performance may vary over time. All operating parameters, including "Typicals" must be validated for each customer application by customer's technical experts. **onsemi** does not convey any license under any of its intellectual property rights nor the rights of others. **onsemi** products are not designed, intended, or authorized for use as a critical component in life support systems or any FDA Class 3 medical devices or medical devices with a same or similar classification in a foreign jurisdiction or any devices intended for implantation in the human body. Should Buyer purchase or use **onsemi** products for any such unintended or unauthorized application, Buyer shall indemnify and hold **onsemi** and its officers, employees, subsidiaries, affiliates, and distributors harmless against all claims, costs, damages, and expenses, and reasonable attorney fees arising out of, directly or indirectly, any claim of personal injury or death associated with such unintended or unauthorized use, even if such claim alleges that **onsemi** was negligent regarding the design or manufacture of the part. **onsemi** is an Equal Opportunity/Affirmative Action Employer. This literature is subject to all applicable copyright laws and is not for resale in any manner. Other names and brands may be claimed as the property of others.

## Intelligent LDO Regulator with External Bypass Control

Prepared by: Lonne Mays



ON Semiconductor®

<http://onsemi.com>

### APPLICATION NOTE

#### Introduction

**Glitch-Free Supply Transition** from the 5 V *primary supply* to the *auxiliary 3.3 V supply* can be easily implemented for PCI/NIC and other motherboard slot cards via the MC33565 Intelligent LDO regulator. This linear regulator contains detection and logic circuitry to determine which supply is active and take appropriate action to maintain a steady 3.3 V output, even as the supply planes change from “working” state to “system sleep” state.

**The Advanced Configuration and Power Interface (ACPI)** design specification for managing power consumption within PC’s provides for various power consumption states from G0 (CPU actively executing code) to four different levels (S1-S4) within the G1 sleep state. The system can be roused from the various levels of the sleep state without requiring a reboot of the Operating System because both the system hardware and software save large elements of the system context. To be ACPI compliant, Network Cards and modems plugged into the motherboard should be designed to function both from the 5 V main supply plane (available in G0 state) and the auxiliary 3.3 V supply (available in G1 state).

ACPI compliant systems can provide important benefits to the end-user, including:

- PC’s appear “off” and quiet when not actively in use, but resume full operation when required.
- Network communication can be received by an ACPI compliant card even though the PC is in sleep state.
- Energy efficient operation without inconveniencing the end-user.<sup>1</sup>

The MC33565 Intelligent LDO has been developed to provide the hardware designer a convenient and easy implementation of the dual supply compliance.

**An External Bypass MOSFET** is controlled by the MC33565 to connect the 3.3 V auxiliary supply directly to the output, thus bypassing the internal linear low dropout

regulator whenever the 5 V main supply is not present. When the 5 V main supply power *is* present, the internal LDO circuitry regulates this down to 3.3 V and provides it to the output at currents up to 200 mA (the bypass MOSFET’s gate is biased “off” at this time). The internal 5 V detection and logic circuitry has sufficient hysteresis to prevent inappropriate toggling between the two supplies if a full load is suddenly applied. (Note: this requires that the source impedance of the 5 V supply, including wiring and printed circuit trace DCR, be less than 0.25 ohm for 200 mA loads.)

**Power Dissipation** of the MC33565, when mounted appropriately on conventional FR4 epoxy PCB, is sufficient to support regulation of the 5 V input down to 3.3 V at an output current of 200 mA. The power dissipated by the external bypass P-channel MOSFET is a function of its  $R_{ds(on)}$ . The dissipation is trivial with the recommended MGSF1P02ELT1 SOT-23 packaged MOSFET which has a typical  $R_{ds(on)}$  of 400 milliohms at  $V_{GS} = 2.5$  V. P-channel MOSFETs with similar or lower  $R_{ds(on)}$  and gate sensitivity parameters should work as well.

#### Functional Description

The MC33565 device contains 121 active transistors comprising the following functions:

- Low dropout regulator
- Internal voltage reference and 5 V detection circuitry
- Voltage compensation and hysteresis control
- Voltage comparator and MOSFET gate driver

Figure 1 depicts the functional relationships in block diagram form. Note that the 3.3  $V_{in}$  is an input to both the MC33565 and to the drain of the external P-channel MOSFET. The 3.3  $V_{out}$  is derived either internally via linear regulation from the +5  $V_{in}$  input, or else is simply passed directly from the +3.3  $V_{in}$  input to the +3.3  $V_{out}$  via statically gating *on* the external MOSFET which then acts as a bypass switch around the LDO.

# AN1686/D

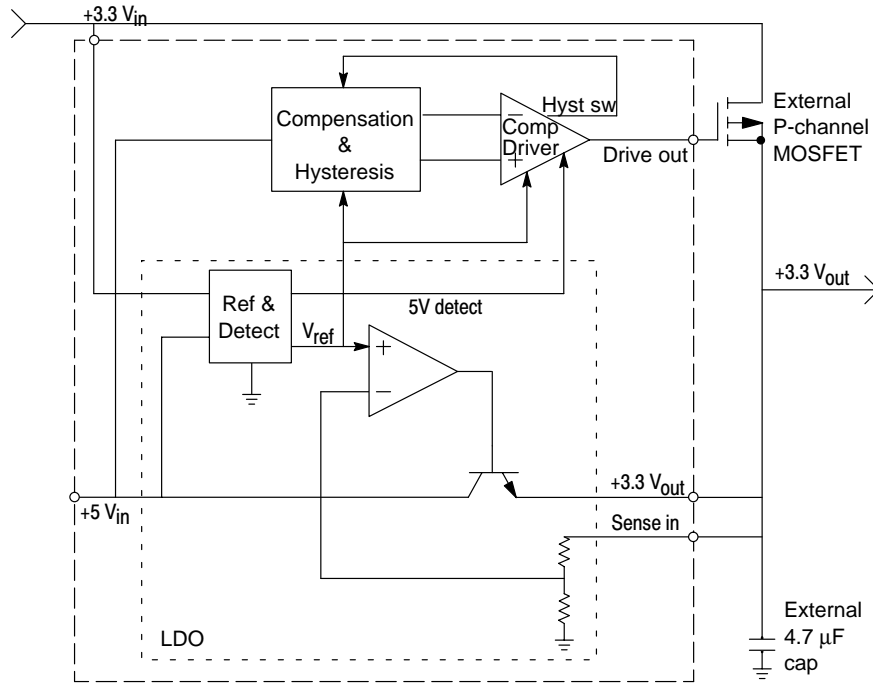


Figure 1.

The voltage reference and 5 V detection circuitry provides the reference for LDO regulation and also provides a 5 V detect signal which acts as a disable to the MOSFET driver circuitry. The +3.3 V<sub>out</sub>, therefore, is provided via regulation down from the +5 V<sub>in</sub> whenever +5 V<sub>in</sub> is present. When +5 V<sub>in</sub> is absent, the MOSFET driver is enabled and the external MOSFET can pass the +3.3 V supply directly to the output. By using an appropriately low R<sub>ds(on)</sub> rated P-channel MOSFET, trivial voltage will be dropped across the drain-source impedance of the transistor.

Compensation and hysteresis circuitry is provided to prevent the overall circuit from oscillating (bouncing or toggling) between enabling the MOSFET and enabling the LDO when making the transition when significant load is present. The hysteresis provided is sufficient to permit

glitch-free transitions with +5 V<sub>in</sub> source impedances as high as 250 milliohms (at 200 mA loading). As long as the source impedance, including cabling and PCB trace DCR, is less than 250 milliohms, we are assured that  $I_O \times R_{source} < V_{hyst}$ , thus avoiding MOSFET drive bounce during the 5 V detect threshold transitions.

The diagram below illustrates a minimum configuration for utilizing the MC33565. The only external components required are a P-channel MOSFET such as the SOT-23 packaged MGSF1P02ELT and a capacitor of at least 4.7 μF with maximum ESR of 500 milliohms. (Note 22 μF is recommended to ensure stable operation over the temperature range, as the temperature coefficients of many capacitor types are both large and poorly controlled.)

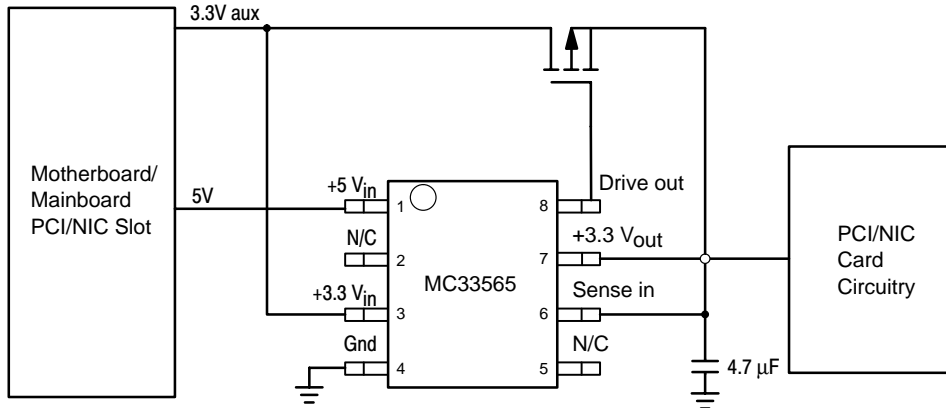


Figure 2.

**Reference Design Example**

A more conservative design approach would include additional filter capacitors on both the input and output. For example, to allow for varying distances from the supply planes' bulk filter capacitance, the designer could incorporate 4.7  $\mu\text{F}$  tantalum or ceramic and 0.1  $\mu\text{F}$  ceramic capacitors close to the +5  $V_{\text{in}}$  input pin. This combination would provide robustness to input voltage droop (during rapid changes in load) as well as provide high frequency

decoupling. High frequency decoupling capacitors would also be recommended close to the +3.3  $V_{\text{in}}$  and +3.3  $V_{\text{out}}$  pins.

The PCB copper and component layout artwork and schematic below (Figures 3, 4, and 5) incorporate the above recommendations. Also included is provision for either jumpering the sense input directly to the +3.3  $V_{\text{out}}$ , or connecting it to the load via an external non-current-carrying trace.

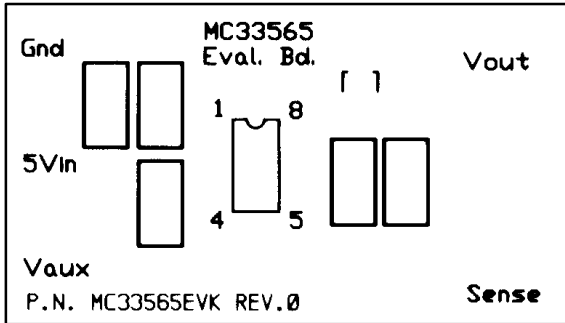


Figure 3. PCB Component Layout

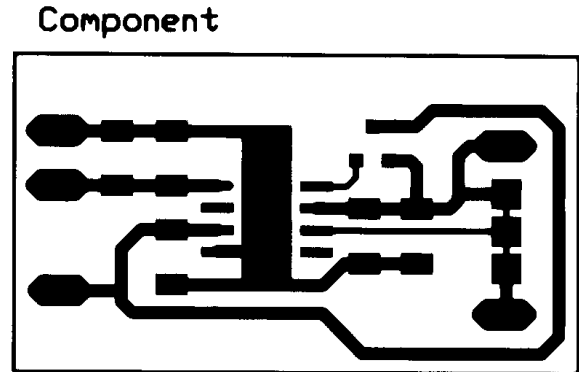


Figure 4. PCB Copper Layout

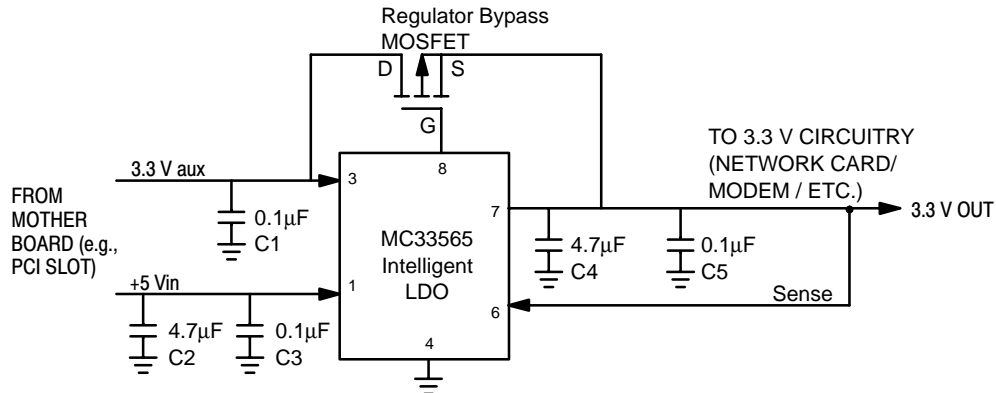


Figure 5. PCB Schematic

By using the artwork in Figures 3 and 4 to create a small surface mount single sided evaluation board (components and copper on the same side), the reference design can be easily breadboarded onto existing prototype pci (or other form factor) cards.

**Summary**


The MC33565 has been designed to provide easy implementation of ACPI power management for PCI and network interface cards (NICs), where operation from a 3.3 V auxiliary supply is required when the 5 V supply has been shut down due to the main processor entering a reduced power state (e.g., sleep state).

The MC33565 permits glitch-free transitions from “sleep” to “active” system modes by providing the internal logic circuitry to detect whether the system is being powered from the motherboard main 5 V power supply or the 3.3 V aux supply. The MC33565 provides a regulated output voltage of 3.3 V via either an internal low dropout 5.0 V-to-3.3 V voltage regulator or an external P-channel MOSFET, depending on the operating status of the system. During normal operating mode (5 V main supply available), the 3.3 V output is provided from the internal low dropout regulator at an output current of 200 mA. When the motherboard enters sleep mode, the MC33565 operates from the 3.3 V aux supply and routes the aux current to the

output via the external P-channel MOSFET bypass transistor. As a result, the output voltage provided to the peripheral card remains constant at 3.3 V even during transitions to and from sleep mode.

### References

1. Mobile Power Guidelines 2000, pp51, Rev 1.0, Dec. 11, 1998, Intel Corporation.
2. PCI Bus Power Management: Hardware Considerations for PCI 3.3 Vaux Implementations, Wireless Symposium / Portable by Design, San Jose CA, 1999.
3. "Basic Semiconductor Thermal Measurement", Gary E. Dashney, Thermal Modeling and Management of Discrete Surface Mount Packages, ON Semiconductor document BR1487/D Rev 1.
4. "Thermal Characterization of the SO-8 Package for Power Semiconductor Applications," Kent Kime, Mike Lissy, Dave Shumate, Larry Walker, Thermal Modeling and Management of Discrete Surface Mount Packages, ON Semiconductor document BR1487/D Rev 1.

**ON Semiconductor** is a trademark and  is a registered trademark of Semiconductor Components Industries, LLC (SCILLC). SCILLC reserves the right to make changes without further notice to any products herein. SCILLC makes no warranty, representation or guarantee regarding the suitability of its products for any particular purpose, nor does SCILLC assume any liability arising out of the application or use of any product or circuit, and specifically disclaims any and all liability, including without limitation special, consequential or incidental damages. "Typical" parameters which may be provided in SCILLC data sheets and/or specifications can and do vary in different applications and actual performance may vary over time. All operating parameters, including "Typicals" must be validated for each customer application by customer's technical experts. SCILLC does not convey any license under its patent rights nor the rights of others. SCILLC products are not designed, intended, or authorized for use as components in systems intended for surgical implant into the body, or other applications intended to support or sustain life, or for any other application in which the failure of the SCILLC product could create a situation where personal injury or death may occur. Should Buyer purchase or use SCILLC products for any such unintended or unauthorized application, Buyer shall indemnify and hold SCILLC and its officers, employees, subsidiaries, affiliates, and distributors harmless against all claims, costs, damages, and expenses, and reasonable attorney fees arising out of, directly or indirectly, any claim of personal injury or death associated with such unintended or unauthorized use, even if such claim alleges that SCILLC was negligent regarding the design or manufacture of the part. SCILLC is an Equal Opportunity/Affirmative Action Employer.

### PUBLICATION ORDERING INFORMATION

#### Literature Fulfillment:

Literature Distribution Center for ON Semiconductor  
P.O. Box 5163, Denver, Colorado 80217 USA  
**Phone:** 303-675-2175 or 800-344-3860 Toll Free USA/Canada  
**Fax:** 303-675-2176 or 800-344-3867 Toll Free USA/Canada  
**Email:** ONlit@hibbertco.com

**N. American Technical Support:** 800-282-9855 Toll Free USA/Canada

**JAPAN:** ON Semiconductor, Japan Customer Focus Center  
4-32-1 Nishi-Gotanda, Shinagawa-ku, Tokyo, Japan 141-0031  
**Phone:** 81-3-5740-2700  
**Email:** r14525@onsemi.com

**ON Semiconductor Website:** <http://onsemi.com>

For additional information, please contact your local Sales Representative.