

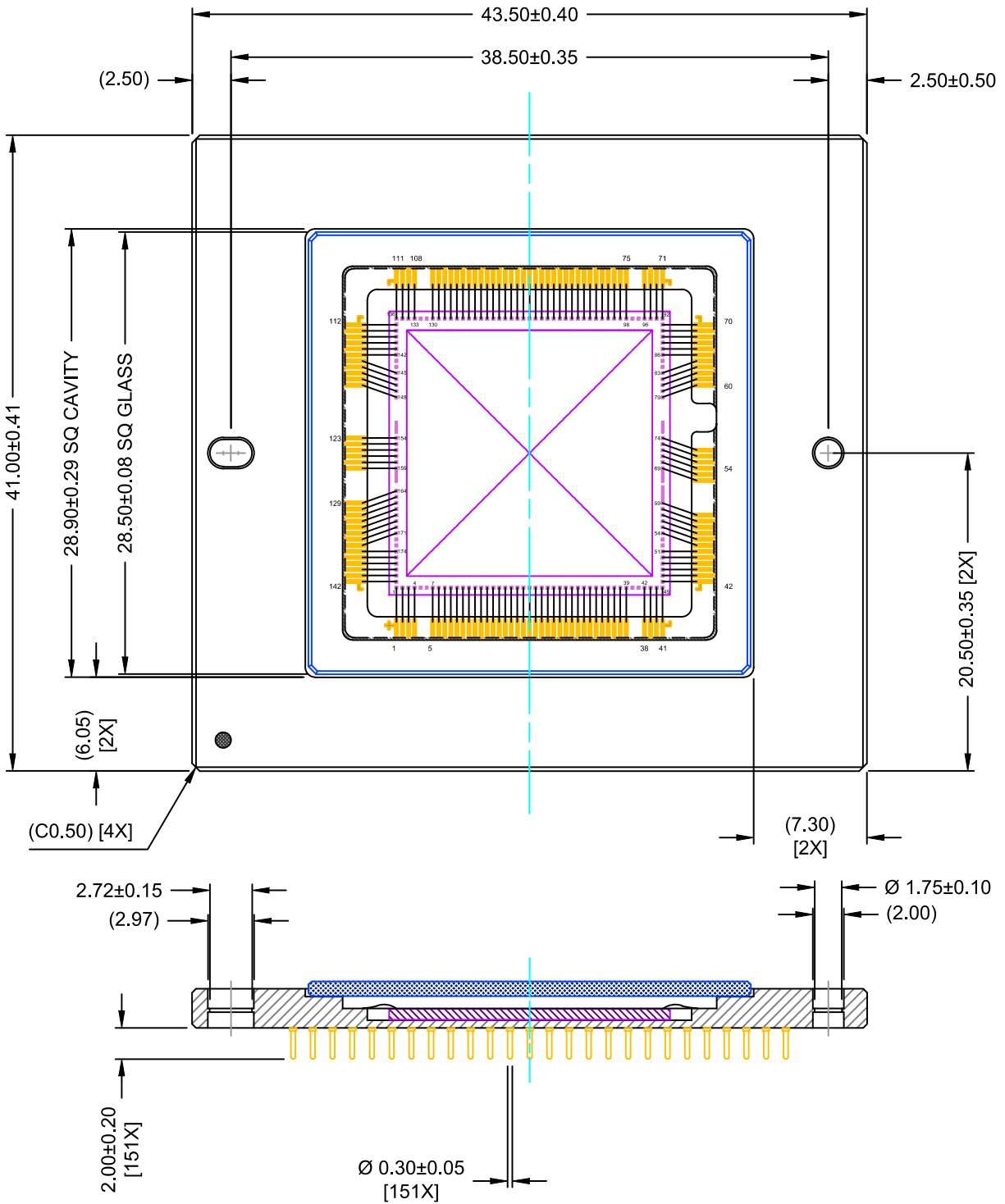
MECHANICAL CASE OUTLINE
PACKAGE DIMENSIONS

ON Semiconductor®



CPGA155 43.5x41
CASE 107FC
ISSUE O

DATE 23 OCT 2015

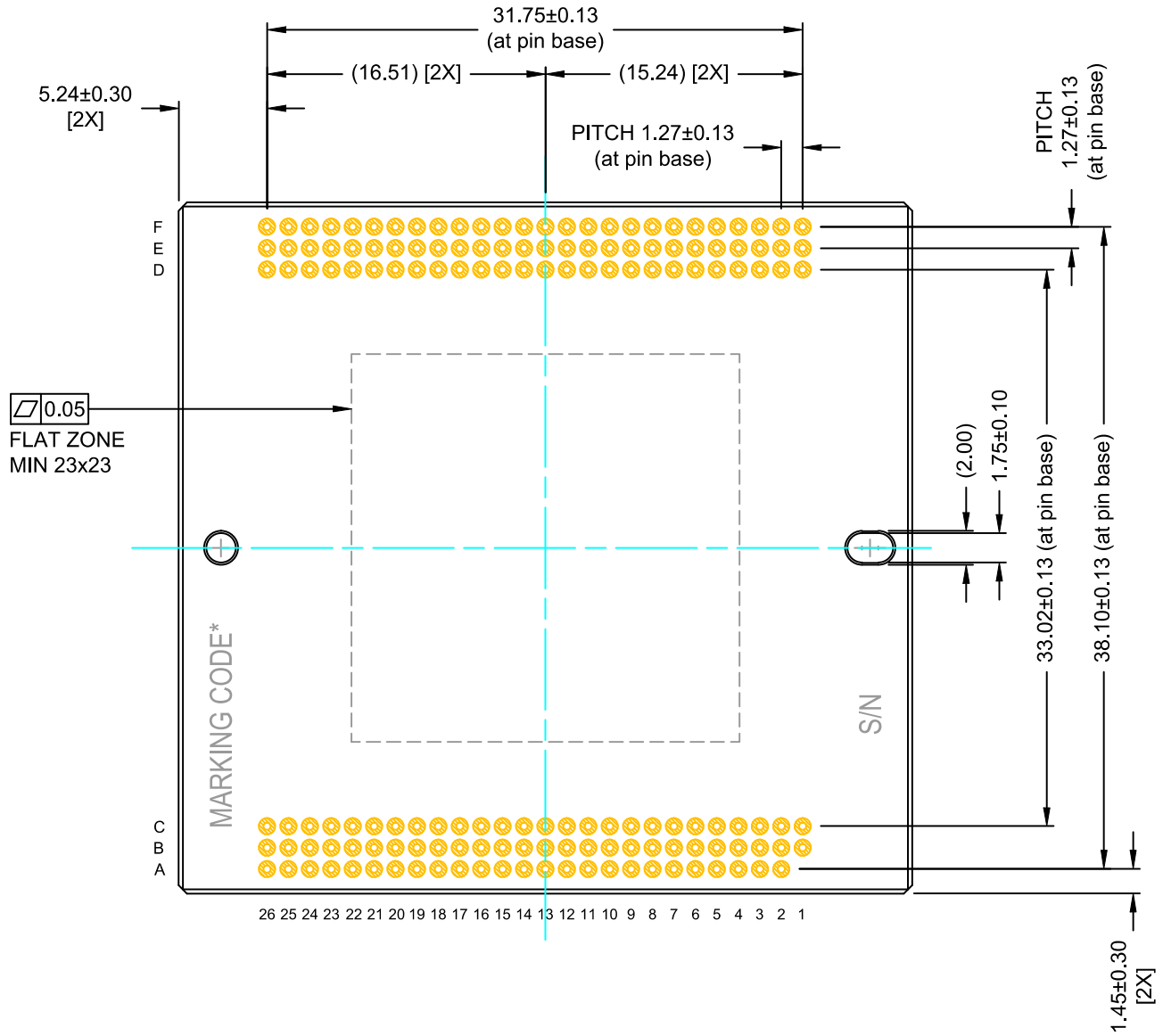


DOCUMENT NUMBER:	98AON06025G	Electronic versions are uncontrolled except when accessed directly from the Document Repository. Printed versions are uncontrolled except when stamped "CONTROLLED COPY" in red.
STATUS:	ON SEMICONDUCTOR STANDARD	
NEW STANDARD:		
DESCRIPTION:	CPGA155 43.5X41	PAGE 1 OF 4

MECHANICAL CASE OUTLINE
PACKAGE DIMENSIONS

CPGA155 43.5x41
CASE 107FC
ISSUE O

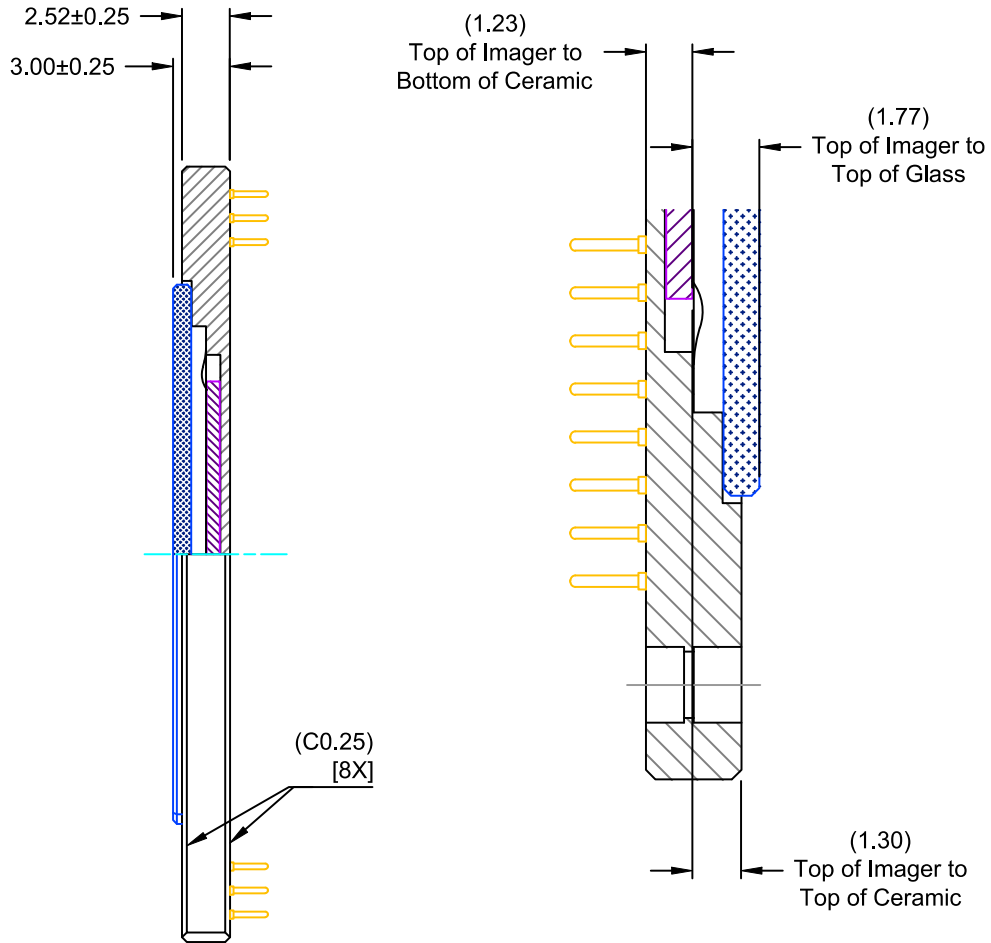
DATE 23 OCT 2015



DOCUMENT NUMBER:	98AON06025G	Electronic versions are uncontrolled except when accessed directly from the Document Repository. Printed versions are uncontrolled except when stamped "CONTROLLED COPY" in red.
STATUS:	ON SEMICONDUCTOR STANDARD	
NEW STANDARD:		
DESCRIPTION:	CPGA155 43.5X41	PAGE 2 OF 4

CPGA155 43.5x41
CASE 107FC
ISSUE O

DATE 23 OCT 2015



DOCUMENT NUMBER:	98AON06025G	Electronic versions are uncontrolled except when accessed directly from the Document Repository. Printed versions are uncontrolled except when stamped "CONTROLLED COPY" in red.
STATUS:	ON SEMICONDUCTOR STANDARD	
NEW STANDARD:		
DESCRIPTION:	CPGA155 43.5X41	PAGE 3 OF 4

