

ON Semiconductor

Is Now

onsemi™

To learn more about onsemi™, please visit our website at
www.onsemi.com

onsemi and **onsemi** and other names, marks, and brands are registered and/or common law trademarks of Semiconductor Components Industries, LLC dba "**onsemi**" or its affiliates and/or subsidiaries in the United States and/or other countries. **onsemi** owns the rights to a number of patents, trademarks, copyrights, trade secrets, and other intellectual property. A listing of **onsemi** product/patent coverage may be accessed at www.onsemi.com/site/pdf/Patent-Marking.pdf. **onsemi** reserves the right to make changes at any time to any products or information herein, without notice. The information herein is provided "as-is" and **onsemi** makes no warranty, representation or guarantee regarding the accuracy of the information, product features, availability, functionality, or suitability of its products for any particular purpose, nor does **onsemi** assume any liability arising out of the application or use of any product or circuit, and specifically disclaims any and all liability, including without limitation special, consequential or incidental damages. Buyer is responsible for its products and applications using **onsemi** products, including compliance with all laws, regulations and safety requirements or standards, regardless of any support or applications information provided by **onsemi**. "Typical" parameters which may be provided in **onsemi** data sheets and/or specifications can and do vary in different applications and actual performance may vary over time. All operating parameters, including "Typicals" must be validated for each customer application by customer's technical experts. **onsemi** does not convey any license under any of its intellectual property rights nor the rights of others. **onsemi** products are not designed, intended, or authorized for use as a critical component in life support systems or any FDA Class 3 medical devices or medical devices with a same or similar classification in a foreign jurisdiction or any devices intended for implantation in the human body. Should Buyer purchase or use **onsemi** products for any such unintended or unauthorized application, Buyer shall indemnify and hold **onsemi** and its officers, employees, subsidiaries, affiliates, and distributors harmless against all claims, costs, damages, and expenses, and reasonable attorney fees arising out of, directly or indirectly, any claim of personal injury or death associated with such unintended or unauthorized use, even if such claim alleges that **onsemi** was negligent regarding the design or manufacture of the part. **onsemi** is an Equal Opportunity/Affirmative Action Employer. This literature is subject to all applicable copyright laws and is not for resale in any manner. Other names and brands may be claimed as the property of others.

NLSF2500

Keypad Multiplexer

The NLSF2500 is a keyboard multiplexer fabricated in sub-micron silicon CMOS Technology. The NLSF2500 is designed to operate over wide operating voltage, with minimum power consumption and very low voltage drop from V_{CC} . The device saves dozens of active and passive components and permits operating voltage far lower than the standard diode scheme.

Features

- Single Supply Operation
- Optimized for 1.8 V to 3.6 V V_{CC}
- Tiny 3 x 3 mm QFN-16 Package
- Conforms to: JEDEC MO-220, Issue H, Variation VEED-6
- Very Low Voltage Drop
- Permits Operation Down to 1.65 V
- Near Zero Static Power
- ESD Protection: Human Body Model (HBM); > 3000 V, Machine Model (MM); >300 V
- Latchup Maximum Rating: 200 mA
- Pin-to-Pin Compatible with CM2500
- This is a Pb-Free Device

Typical Applications

- Cell Phones
- PDAs
- MP3 players



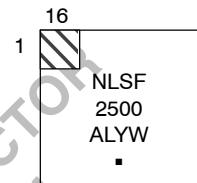
ON Semiconductor®

<http://onsemi.com>

MARKING DIAGRAM

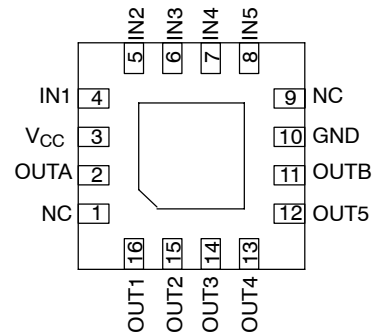


**QFN-16
CASE 485AE**



XXXX = Specific Device Code
A = Assembly Location
L = Wafer Lot
Y = Year
W = Work Week
▪ = Pb-Free Package

PIN CONNECTIONS



Bottom View

ORDERING INFORMATION

See detailed ordering and shipping information in the package dimensions section on page 4 of this data sheet.

NLSF2500

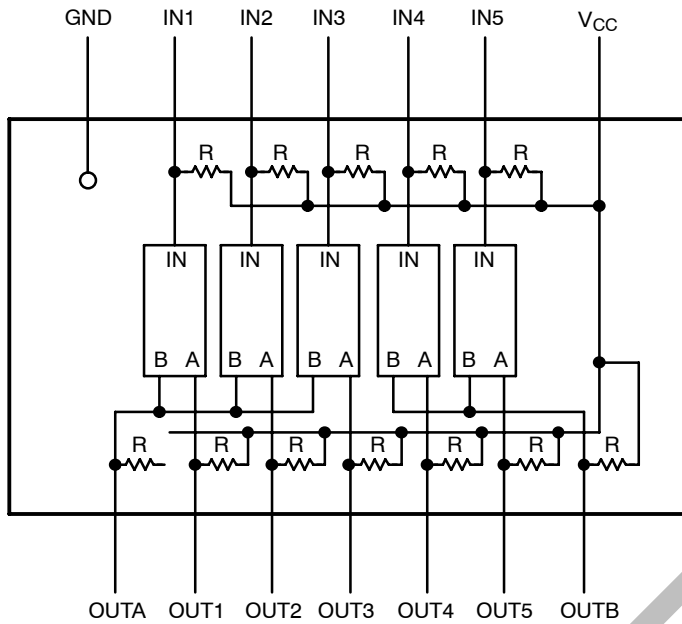


Figure 1. Device Block Diagram

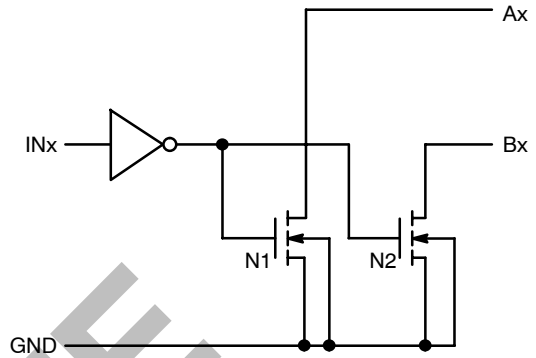


Figure 2. Circuit Schematic (1 Channel Pair Only)

PIN DESCRIPTION

Pin	Name	Function Description
1	NC	Not Internally Connected
2	OUTA	Combined "Functional OR" Output of IN1, IN2, and IN3
3	V _{CC}	Supply Pin
4	IN1	Input 1 from Switch to be Multiplexed
5	IN2	Input 2 from Switch to be Multiplexed
6	IN3	Input 3 from Switch to be Multiplexed
7	IN4	Input 4 from Switch to be Multiplexed
8	IN5	Input 5 from Switch to be Multiplexed
9	NC	Not Internally Connected
10	GND	Ground
11	OUTB	Combined "Functional OR" Output of IN4 and IN5
12	OUT5	Output 5 for Keyboard Interface Lines
13	OUT4	Output 4 for Keyboard Interface Lines
14	OUT3	Output 3 for Keyboard Interface Lines
15	OUT2	Output 2 for Keyboard Interface Lines
16	OUT1	Output 1 for Keyboard Interface Lines

NLSF2500

MAXIMUM RATINGS

Symbol	Rating	Value	Unit
V _{CC}	DC Supply Voltage	-0.5 to +7.0	V
V _I	DC Input Voltage	0 ≤ V _{CC} ≤ V _{CC} + 0.5	V
V _O	DC Output Voltage	- 0.5 to + 7.0	V
I _{IK}	DC Input Diode Current V _I < GND	±50	mA
I _{OK}	DC Output Diode Current V _O = GND	- 50	mA
I _O	DC Output Sink Current	± 50	mA
I _{CC}	DC Supply Current per Supply Pin	± 100	mA
I _{GND}	DC Ground Current per Ground Pin	± 100	mA
T _{STG}	Storage Temperature Range	- 65 to + 150	°C
T _L	Lead Temperature, 1 mm from Case for 10 Seconds	260	°C
T _J	Junction Temperature under bias	+ 150	°C
θ _{JA}	Thermal Resistance	80	°C/W
P _D	Power Dissipation in Still Air at 85°C	800	mW
MSL	Moisture Sensitivity	Level 1	
F _R	Flammability Rating Oxygen Index: 28 to 34	UL 94 V-0 @ 0125 in	
V _{ESD}	ESD Test Voltage Human Body Model (Note 1) Machine Model (Note 2)	> 3000 > 300	V

Stresses exceeding Maximum Ratings may damage the device. Maximum Ratings are stress ratings only. Functional operation above the Recommended Operating Conditions is not implied. Extended exposure to stresses above the Recommended Operating Conditions may affect device reliability.

1. Tested to EIA/JESD22-A114-A.
2. Tested to EIA/JESD22-A115-A.

RECOMMENDED OPERATING CONDITIONS

Symbol	Characteristics	Min	Max	Unit
V _{CC}	Positive DC Supply Voltage	1.5	5.5	V
V _{IN}	DC Input Voltage	GND	V _{CC} + 0.5	V
V _{OUT}	DC Output Voltage	GND	5.5	V
T _A	Operating Temperature Range	40	85	°C

DC CHARACTERISTICS

Symbol	Parameter	Condition	V _{CC}	Min	Max	Unit
V _{IL}	Input Logic Low Voltage		1.65 – 3.6	0.3 * V _{CC}		V
V _{IH}	Input Logic High Voltage		1.65 – 3.6		0.7 * V _{CC}	V
R _{OUT}	OUT _x Pullup Resistance		1.65 – 3.6	50	150	kΩ
R _{IN 2.7}	IN _x Pullup Resistance	PIN = GND	2.7	50	150	kΩ
R _{IN 1.8}	IN _x Pullup Resistance	PIN = GND	1.8	100	360	kΩ
V _D	Voltage Drop	IN _x = GND, I _{OUT} = 100 μA			100	mV
I _{CC}	Quiescent Current	All I/O Floating	1.65 – 3.6		10	μA
I _L	Output Leakage Current	IN _x = Floating			1.0	μA
C _P	I/O Pin Capacitance	1.0 MHz	2.5		15	pF

NLSF2500

ORDERING INFORMATION

Device Order Number	Device Nomenclature					Package Type	Tape & Reel Size [†]
	Circuit Indicator	Technology	Device Function	Package Suffix	Tape and Reel Suffix		
NLSF2500MN1R2G	NL	SF	2500	MN1	R2	QFN-16 (Pb-Free)	3000

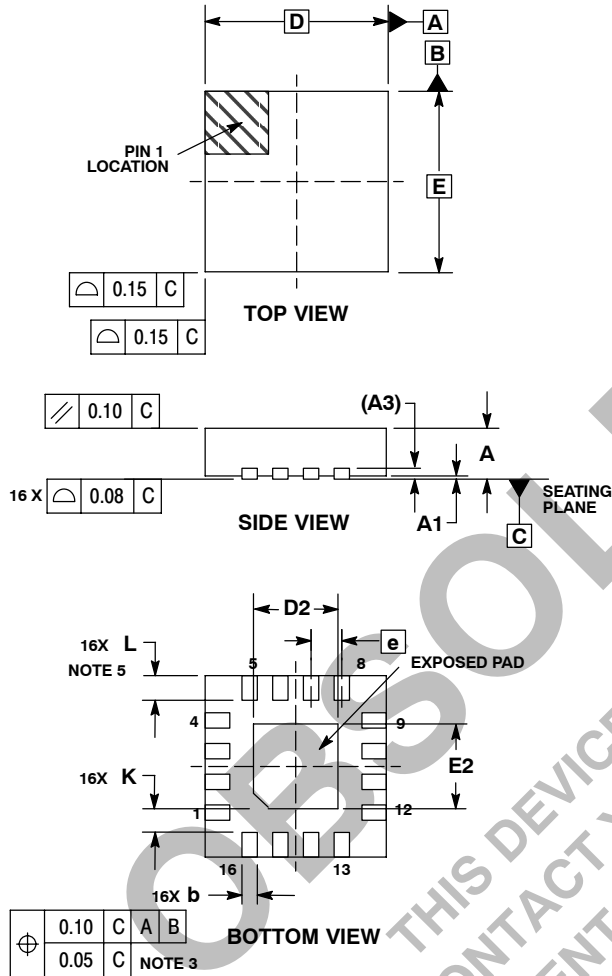
[†]For information on tape and reel specifications, including part orientation and tape sizes, please refer to our Tape and Reel Packaging Specifications Brochure, BRD8011/D.

OBSOLETE
THIS DEVICE IS OBSOLETE
PLEASE CONTACT YOUR ON SEMICONDUCTOR
REPRESENTATIVE FOR INFORMATION

NLSF2500

PACKAGE DIMENSIONS

QFN-16 3*3*0.85 MM, 0.5 P
CASE 485AE-01
ISSUE O



NOTES:

1. DIMENSIONING AND TOLERANCING PER ASME Y14.5M, 1994.
2. CONTROLLING DIMENSION: MILLIMETERS.
3. DIMENSION b APPLIES TO PLATED TERMINAL AND IS MEASURED BETWEEN 0.25 AND 0.30 MM FROM TERMINAL.
4. COPLANARITY APPLIES TO THE EXPOSED PAD AS WELL AS THE TERMINALS.
5. OUTLINE MEETS JEDEC DIMENSIONS PER MO-220, VARIATION VEED-6.

DIM	MILLIMETERS		
	MIN	NOM	MAX
A	0.800	0.900	1.000
A1	0.000	0.025	0.050
A3	0.200 REF		
b	0.180	0.250	0.300
D	3.00 BSC		
D2	1.250	1.40	1.550
E	3.00 BSC		
E2	1.250	1.40	1.550
e	0.500 BSC		
K	0.200	---	---
L	0.300	0.400	0.500

ON Semiconductor and are registered trademarks of Semiconductor Components Industries, LLC (SCILLC). SCILLC reserves the right to make changes without further notice to any products herein. SCILLC makes no warranty, representation or guarantee regarding the suitability of its products for any particular purpose, nor does SCILLC assume any liability arising out of the application or use of any product or circuit, and specifically disclaims any and all liability, including without limitation special, consequential or incidental damages. "Typical" parameters which may be provided in SCILLC data sheets and/or specifications can and do vary in different applications and actual performance may vary over time. All operating parameters, including "Typicals" must be validated for each customer application by customer's technical experts. SCILLC does not convey any license under its patent rights nor the rights of others. SCILLC products are not designed, intended, or authorized for use as components in systems intended for surgical implant into the body, or other applications intended to support or sustain life, or for any other application in which the failure of the SCILLC product could create a situation where personal injury or death may occur. Should Buyer purchase or use SCILLC products for any such unintended or unauthorized application, Buyer shall indemnify and hold SCILLC and its officers, employees, subsidiaries, affiliates, and distributors harmless against all claims, costs, damages, and expenses, and reasonable attorney fees arising out of, directly or indirectly, any claim of personal injury or death associated with such unintended or unauthorized use, even if such claim alleges that SCILLC was negligent regarding the design or manufacture of the part. SCILLC is an Equal Opportunity/Affirmative Action Employer. This literature is subject to all applicable copyright laws and is not for resale in any manner.

PUBLICATION ORDERING INFORMATION

LITERATURE FULFILLMENT:
Literature Distribution Center for ON Semiconductor
P.O. Box 5163, Denver, Colorado 80217 USA
Phone: 303-675-2175 or 800-344-3860 Toll Free USA/Canada
Fax: 303-675-2176 or 800-344-3867 Toll Free USA/Canada
Email: orderlit@onsemi.com

N. American Technical Support: 800-282-9855 Toll Free
USA/Canada
Europe, Middle East and Africa Technical Support:
Phone: 421 33 790 2910
Japan Customer Focus Center
Phone: 81-3-5773-3850

ON Semiconductor Website: www.onsemi.com
Order Literature: <http://www.onsemi.com/orderlit>

For additional information, please contact your local Sales Representative