

High Conductance Low Leakage Diode

FDH3595

Sourced from Process 1M. See [MMBD1501](#)–1505 for characteristics.



AXIAL LEAD
(DO-35)
CASE 017AG

ABSOLUTE MAXIMUM RATINGS (T_A = 25°C unless otherwise noted)

Symbol	Rating	Value	Unit
W _{IV}	Working Inverse Voltage	125	V
I _o	Average Rectified Current	200	mA
I _F	DC Forward Current	500	mA
i _f	Recurrent Peak Forward Current	600	mA
i _{f(surge)}	Peak Forward Surge Current Pulse width = 1.0 s Pulse width = 1.0 μs	1.0 4.0	A
T _{stg}	Storage Temperature Range	-65 to +175	°C
T _J	Operating Junction Temperature	175	°C

Stresses exceeding those listed in the Maximum Ratings table may damage the device. If any of these limits are exceeded, device functionality should not be assumed, damage may occur and reliability may be affected.

- These ratings are based on a maximum junction temperature of 200°C.
- These are steady state limits. The factory should be consulted on applications involving pulsed or low duty cycle operations.

MARKING DIAGRAM



H3595 = Specific Device Code
XY = Date Code
Band Color: Silver

ORDERING INFORMATION

Device	Package	Shipping
FDH3595	AXIAL LEAD	5000 Units / Bulk

THERMAL CHARACTERISTICS (T_A = 25°C unless otherwise noted)

Symbol	Characteristics	Max	Unit
		MMBD7000*	
P _D	Total Device Dissipation Derate above 25°C	500	mW
		3.33	mW/°C
R _{θJA}	Thermal Resistance, Junction to Ambient	300	°C/W

*These ratings are limiting values above which the serviceability of any semiconductor device may be impaired.

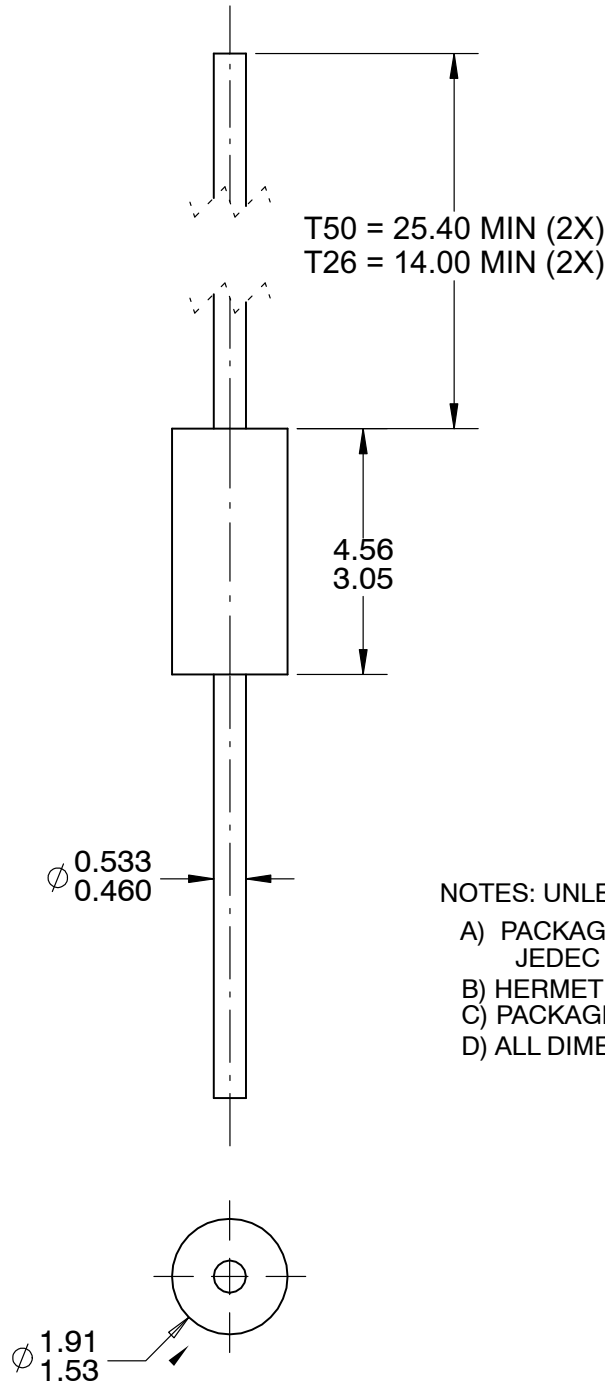
ELECTRICAL CHARACTERISTICS (T_A = 25°C unless otherwise noted)

Symbol	Characteristic	Test Conditions	Min	Typ	Max	Unit
B _V	Breakdown Voltage	I _R = 100 μA	150	-	-	V
I _R	Reverse Voltage Leakage Current	V _R = 125 V	-	-	1.0	nA
		V _R = 30 V, T _A = 125°C	-	-	300	nA
		V _R = 125 V, T _A = 125°C	-	-	500	nA
		V _R = 125 V, T _A = 150°C	-	-	3.0	μA
V _F	Forward Voltage	I _F = 1.0 mA	520	-	680	mV
		I _F = 5.0 mA	600	-	760	mV
		I _F = 10 mA	650	-	800	mV
		I _F = 50 mA	750	-	890	mV
		I _F = 100 mA	790	-	920	mV
		I _F = 200 mA	0.83	-	1.0	V
C _T	Diode Capacitance	V _R = 0, f = 1.0 MHz	-	-	8.0	pF

Product parametric performance is indicated in the Electrical Characteristics for the listed test conditions, unless otherwise noted. Product performance may not be indicated by the Electrical Characteristics if operated under different conditions.


AXIAL LEAD
CASE 017AG
ISSUE 0

DATE 31 AUG 2016



- NOTES: UNLESS OTHERWISE SPECIFIED
- A) PACKAGE STANDARD REFERENCE: JEDEC DO-204, VARIATION AH.
 - B) HERMETICALLY SEALED GLASS PACKAGE.
 - C) PACKAGE WEIGHT IS 0.137 GRAM.
 - D) ALL DIMENSIONS ARE IN MILLIMETERS.

DOCUMENT NUMBER:	98AON13443G	Electronic versions are uncontrolled except when accessed directly from the Document Repository. Printed versions are uncontrolled except when stamped "CONTROLLED COPY" in red.
DESCRIPTION:	AXIAL LEAD	PAGE 1 OF 1

ON Semiconductor and  are trademarks of Semiconductor Components Industries, LLC dba ON Semiconductor or its subsidiaries in the United States and/or other countries. ON Semiconductor reserves the right to make changes without further notice to any products herein. ON Semiconductor makes no warranty, representation or guarantee regarding the suitability of its products for any particular purpose, nor does ON Semiconductor assume any liability arising out of the application or use of any product or circuit, and specifically disclaims any and all liability, including without limitation special, consequential or incidental damages. ON Semiconductor does not convey any license under its patent rights nor the rights of others.

onsemi, **Onsemi**, and other names, marks, and brands are registered and/or common law trademarks of Semiconductor Components Industries, LLC dba "**onsemi**" or its affiliates and/or subsidiaries in the United States and/or other countries. **onsemi** owns the rights to a number of patents, trademarks, copyrights, trade secrets, and other intellectual property. A listing of **onsemi**'s product/patent coverage may be accessed at www.onsemi.com/site/pdf/Patent-Marking.pdf. **onsemi** reserves the right to make changes at any time to any products or information herein, without notice. The information herein is provided "as-is" and **onsemi** makes no warranty, representation or guarantee regarding the accuracy of the information, product features, availability, functionality, or suitability of its products for any particular purpose, nor does **onsemi** assume any liability arising out of the application or use of any product or circuit, and specifically disclaims any and all liability, including without limitation special, consequential or incidental damages. Buyer is responsible for its products and applications using **onsemi** products, including compliance with all laws, regulations and safety requirements or standards, regardless of any support or applications information provided by **onsemi**. "Typical" parameters which may be provided in **onsemi** data sheets and/or specifications can and do vary in different applications and actual performance may vary over time. All operating parameters, including "Typicals" must be validated for each customer application by customer's technical experts. **onsemi** does not convey any license under any of its intellectual property rights nor the rights of others. **onsemi** products are not designed, intended, or authorized for use as a critical component in life support systems or any FDA Class 3 medical devices or medical devices with a same or similar classification in a foreign jurisdiction or any devices intended for implantation in the human body. Should Buyer purchase or use **onsemi** products for any such unintended or unauthorized application, Buyer shall indemnify and hold **onsemi** and its officers, employees, subsidiaries, affiliates, and distributors harmless against all claims, costs, damages, and expenses, and reasonable attorney fees arising out of, directly or indirectly, any claim of personal injury or death associated with such unintended or unauthorized use, even if such claim alleges that **onsemi** was negligent regarding the design or manufacture of the part. **onsemi** is an Equal Opportunity/Affirmative Action Employer. This literature is subject to all applicable copyright laws and is not for resale in any manner.

ADDITIONAL INFORMATION

TECHNICAL PUBLICATIONS:

Technical Library: www.onsemi.com/design/resources/technical-documentation
onsemi Website: www.onsemi.com

ONLINE SUPPORT: www.onsemi.com/support

For additional information, please contact your local Sales Representative at www.onsemi.com/support/sales