



Product Overview

NCN3411: Data Switch, 4-Channel Differential, 1:2 Mux/Demux, for PCI Express Gen3

For complete documentation, see the data sheet.



The NCN3411 is a 4-Channel differential SPDT switch designed to route PCI Express Gen3 signals. When used in a PCI Express application, the switch can handle up to two PCIe lanes. Due to the ultra-low ON-state capacitance (2 pF typ) and resistance (7.5 Ω typ), these switches are ideal for switching high frequency data signals up to a signal bit rate of 8 Gbps. This switch pinout is designed to be used in BTX form factor desktop PCs and is available in a space-saving 3.5 x 9 x 0.75 mm WQFN42 package.

Features

- Data Rate of 8 Gbps
- Low Supply Current: 200 μA typical

Benefits

- Supports PCIe 3.0 data rate
- Reduces heat dissipation

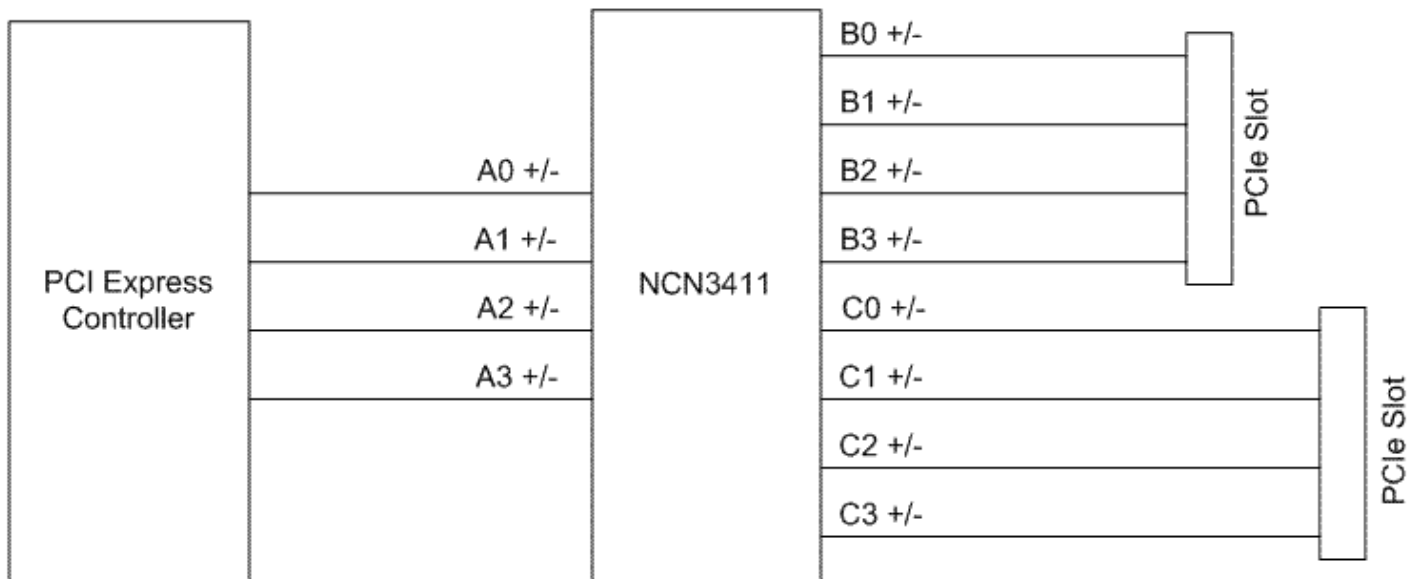
Applications

- PCI Express switching

End Products

- Desktop computers
- Notebook computers
- Server-storage networks

Application Diagram



For more information please contact your local sales support at www.onsemi.com.

Created on: 4/21/2018