

USB Type-C® Analog Audio Switch with Protection Function

FSA4476



WLCSP25, 2.03x2.03x0.586
CASE 567UP

Description

FSA4476 is a high performance USB Type-C port multimedia switch which supports analog audio headsets. FSA4476 allows the sharing of a common USB Type-C port to pass USB2.0 signal, analog audio, sideband use wires and analog microphone signal. FSA4476 also supports high voltage on CC port, SBU port and USB port on USB Type-C receptacle side. In addition, FSA4476 supports USB Type-C dead battery application and dual power supply with VBAT rail and VBUS rail.

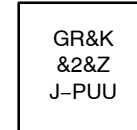
Features

- Power Management
 - ◆ Primary Power Supply: VBAT, 2.7 V to 5.5 V
 - ◆ Second Power Supply VBUS, 4.0 V to 20 V
- USB High Speed (480 Mbps) Switch:
 - ◆ -3 dB Bandwidth: 1 GHz
 - ◆ 3 Ω R_{ON} Typical
- Audio Switch
 - ◆ Negative Rail Capability: -3 V to +3 V
 - ◆ THD+N = -110 dB; 1 V_{RMS}, f = 20 Hz~20 kHz, 32 Ω Load
 - ◆ 0.6 Ω R_{ON} Typical
- High Voltage Protection
 - ◆ 20 V DC Protection on CC Port and SBU Port
 - ◆ 16 V DC Protection on DP/R and DN/L Port
- Over Voltage Protection:
 - ◆ 5.8 V (Typ) on CC Port
 - ◆ 4.5 V (Typ) on SBU Port
 - ◆ 4.5 V (Typ) on DP/R and DN/L Port
- OMTP and CTIA Pinout Support
- Support Audio Sense Path
- Support Dead Battery
- 25-ball WLCSP Package (2.03 mm x 2.03 mm)
- This is a Pb-Free Device

Applications

- Mobile Phone, Tablet, Notebook PC, Media Player

MARKING DIAGRAM



- GR = Device Code
 - &K = 2-Digits Lo Run Traceability Code
 - &2 = 2-Digit Date Code
 - &Z = Assembly Plant Code
 - J- = X- Coordinates with dash as separator*
 - P = Y Coordinates*
 - UU = Two Digit Wafer ID*
- *For onsemi internal use only.

ORDERING INFORMATION

See detailed ordering and shipping information on page 12 of this data sheet.

FSA4476

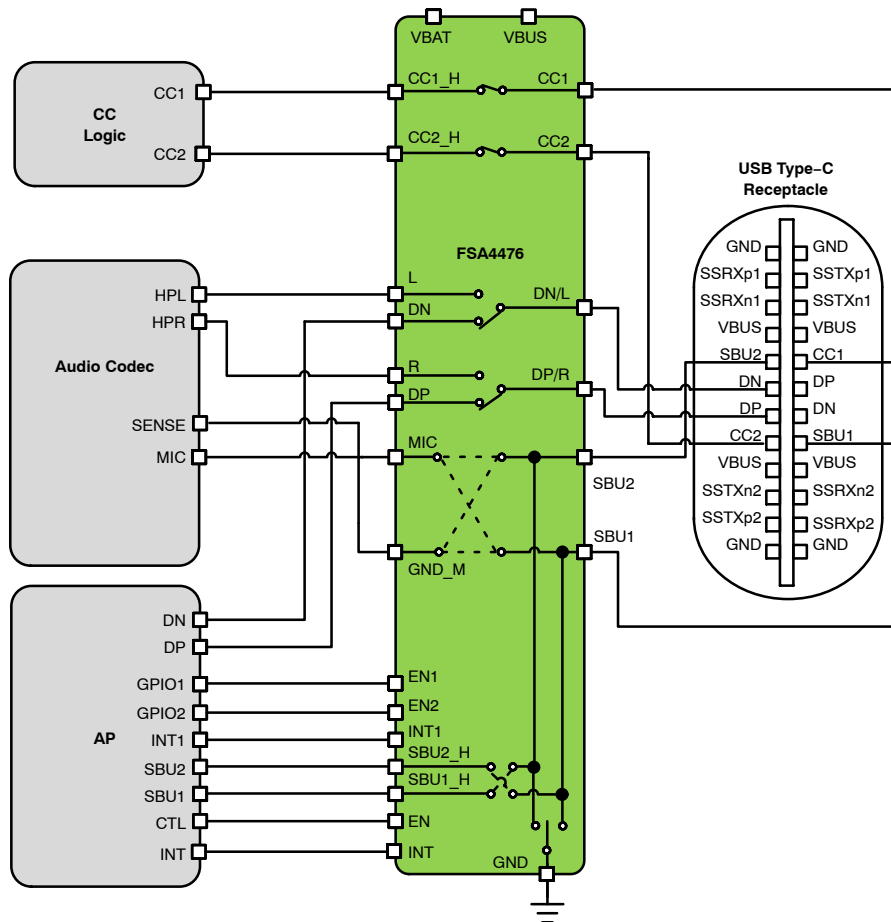


Figure 1. Application Block Diagram

PIN CONFIGURATION

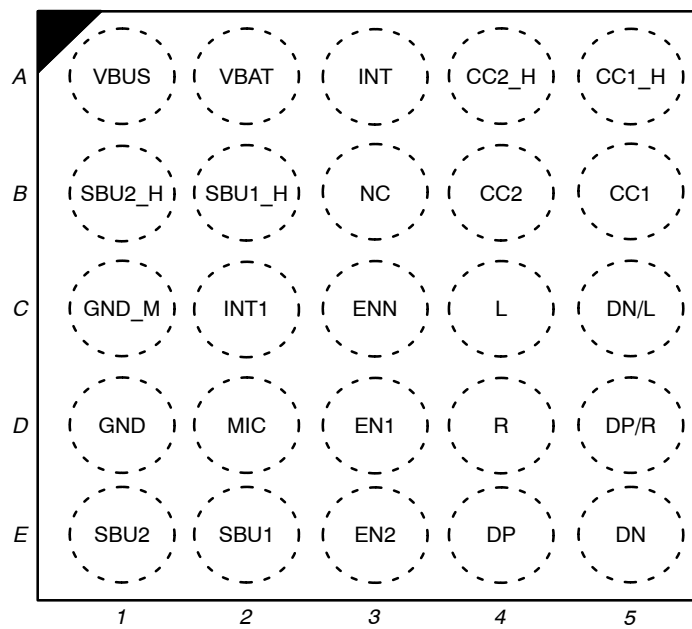


Figure 2. Pin Assignment (Top Through View)

FSA4476

PIN DESCRIPTIONS

Name	Ball	Description
VBUS	A1	Power Supply
VBAT	A2	Power Supply
GND	D1	Ground
DP/R	D5	USB Positive Data/Right Audio Common Line
DN/L	C5	USB Negative Data/Left Audio Common Line
DP	E4	Positive DataLine for USB signals
DN	E5	Negative DataLine for USB signals
L	C4	Left Line for Audio Signals
R	D4	Right Line for Audio Signals
SBU1	E2	Sideband Use Wire 1 Common Line
SBU2	E1	Sideband Use Wire 2 Common Line
MIC	D2	Microphone, connects to microphone pre-amplifier
GND_M	C1	Sense Pin to Detect GND offset
SBU1_H	B2	Host Side Sideband Use Wire 1
SBU2_H	B1	Host Side Sideband Use Wire 2
CC1	B5	Configuration Channel 1
CC2	B4	Configuration Channel 2
CC1_H	A5	Host Side Configuration Channel 1
CC2_H	A4	Host Side Configuration Channel 2
INT	A3	OVP Interrupt Output, active low (open drain)
INT1	C2	Interrupt Output Signal; During EN1=1, INT1 is low active (open drain output) when CC1_H < 1.2 V and CC2_H < 1.2 V.
ENN	C3	Chip Enable, active low, internal pull-down by 1Mohm.
EN1	D3	Logic Configuration Input 1
EN2	E3	Logic Configuration Input 2
NC	B3	No Connect

TRUTH TABLE

Power	ENN	EN1,EN2	CC Switch	Headset Detection	USB Switch	Audio Switch	MIC SW / GND_M SW	SBU Bypass Switch
OFF	X	XX	Dead battery	OFF	OFF	OFF	OFF	OFF
ON	H	XX	OFF	OFF	OFF	OFF	OFF	OFF
ON	L	00	ON	OFF	ON: DP/R to DP DN/L to DN	OFF	OFF	ON: SBU1 to SBU1_H SBU2 to SBU2_H
ON	L	01	ON	OFF	ON: DP/R to DP DN/L to DN	OFF	OFF	ON: SBU1 to SBU2_H SBU2 to SBU1_H
ON	L	10	ON	ON	OFF	ON: DP/R to R DN/L to L	ON: SBU1 to MIC SBU2 to GND_M SBU2 to GND	OFF
ON	L	11	ON	ON	OFF	ON: DP/R to R DN/L to L	ON: SBU2 to MIC SBU1 to GND_M SBU1 to GND	OFF

ABSOLUTE MAXIMUM RATINGS

Symbol	Parameter		Min	Max	Unit
V _{BAT}	Supply Voltage from VBAT		-0.5	6.5	V
V _{BUS}	Supply Voltage from VBUS		-0.5	28	V
V _{VICC}	V _{CCx} , to GND		-0.5	20	V
V _{VCC_H}	V _{CCx_H} , to GND		-0.5	6.5	V
V _{SW_USB/Audio}	V _{DP_R} to GND, V _{DN_L} to GND		-3.5	16	V
V _{SW_USB}	V _{DP} to GND, V _{DN} to GND		-0.5	6.5	V
V _{SW_Audio}	V _L to GND, V _R to GND		-3.5	+3.5	V
V _{VSBU}	V _{SBU1} to GND, V _{SBU2} to GND		-0.5	20	V
V _{VSBU_H}	V _{SBU1_H} to GND, V _{SBU2_H} to GND		-0.5	6.5	V
V _{I/O}	MIC, GND_M, INT, INT1 to GND		-0.5	6.5	V
V _{CNTRL}	Control Input Voltage	ENN, ENx	-0.5	6.5	V
I _{CCSW}	CC Switch Current		-	1.25	A
I _{SW_Audio}	Switch I/O Current, Audio Path		-250	250	mA
I _{SW_USB}	Switch I/O Current, USB Path		-	100	mA
I _{SW_MIC}	Switch I/O Current, MIC to SBU1 or SBU2		-	50	mA
I _{SW_GND_M}	Switch I/O Current, GND_M to SBU1 or SBU2		-	100	mA
I _{SW_GND}	Switch I/O Current, GND to SBU1 or SBU2		-	500	mA
I _{IK}	DC Input Diode Current		-50	-	mA
ESD	Human Body Model, ANSI/ESDA/JEDEC JS-001-2012	Connector Side and Power Pins: VBUS, V _{BAT} , CC1, CC2, SBU1, SBU2, DP/R, DN/L	4	-	kV
		Host Side Pins: The Rest Pins	2	-	
	Charged Device Model, JEDEC: JESD22-C101		1	-	
T _A	Absolute Maximum Operating Temperature		-40	+85	°C
T _{STG}	Storage Temperature		-65	+150	°C

Stresses exceeding those listed in the Maximum Ratings table may damage the device. If any of these limits are exceeded, device functionality should not be assumed, damage may occur and reliability may be affected.

FSA4476

RECOMMENDED OPERATING CONDITIONS

Symbol	Parameter	Min	Max	Max	Unit
POWER					
VBAT	Supply Voltage	2.7	–	5.5	V
VBUS	Supply Voltage	4.0	–	20	V
USB SWITCH					
VSW_USB	V _{DP} to GND, V _{DN} to GND, V _{DP/Rto} GND, V _{DN/L} to GND	0	–	4.0	V
AUDIO SWITCH					
VSW_Audio	V _{DP/Rto} GND, V _{DN/L} to GND, V _L to GND, V _R to GND	–3	–	+3	V
VSW_MIC	MIC to GND	0	–	3.6	V
SBU SWITCH					
VVSBU	V _{SBU1} to GND, V _{SBU2} to GND, V _{SBU1_H} to GND, V _{SBU2_H} to GND	0	–	4.0	V
CC SWITCH					
VVICC	V _{CCx} , to GND	0	–	5.5	V
VVCC_H	V _{CCx_H} , to GND	0	–	5.5	V
ICCSW	CC Switch Current		–	1.25	A
CONTROL VOLTAGE (ENN, ENX)					
VIH	Input Voltage High	1.3	–	–	V
VIL	Input Voltage Low	–	–	0.5	V
OPERATING TEMPERATURE					
TA	Ambient Operating Temperature	–40	25	+85	°C

Functional operation above the stresses listed in the Recommended Operating Ranges is not implied. Extended exposure to stresses beyond the Recommended Operating Ranges limits may affect device reliability.

FSA4476

DC CHARACTERISTICS (VBAT = 2.7 V to 5.5 V or VBUS = 4.0 V to 20 V, VBAT (Typ.) = 4.3 V or VBUS (Typ.) = 5 V, T_A = -40°C to 85°C, and T_A (Typ.) = 25°C, unless otherwise specified.) (Note 1)

Symbol	Parameter	Condition	Power	T _A = -40°C to +85°C			Unit
				Min	Typ	Max	
I _{CC}	VBAT Supply Current		VBAT = 4.3 V	-	25	-	μA
I _{CCZ}	Quiescent Current		VBAT = 4.3 V	-	5	-	μA

USB/AUDIO COMMON PINS

I _{OZ}	Off Leakage Current of Port DP/R and DN/L	DN/L, DP/R = -3 V to 4.0 V	VBAT: 2.7 V to 5.5 V or VBUS: 4 V to 20 V	-3.0	-	3.0	μA
I _{OFF}	Power-Off Leakage Current of Port DP/R and DN/L	DN/L, DP/R = 0 V to 4.0 V	Power off	-3.0	-	3.0	μA
V _{OV_TRIP}	Input OVP Lockout	Rising edge	VBAT: 2.7 V to 5.5 V or VBUS: 4 V to 20 V	4.2	4.5	4.8	V
V _{OV_HYS}	Input OVP Hysteresis			-	0.3	-	V

AUDIO SWITCH

I _{ON}	On Leakage Current of Audio Switch	DN/L, DP/R = -3 V to 3.0 V, DP, DN, R, L = Float	VBAT: 2.7 V to 5.5 V or VBUS: 4 V to 20 V	-2.0	0.1	2.0	μA
I _{OFF}	Power-Off Leakage Current on L and R	L, R = 0 V to 3 V	Power off	-1.0	-	1.0	μA
R _{ON}	Switch On Resistance	I _{SW} = 100 mA, V _{SW} = -3 V to 3 V	VBAT: 2.7 V to 5.5 V or VBUS: 4 V to 20 V	-	0.6	-	Ω
R _{SHUNT}	Pull Down Resistor on R/L Pin when Audio Switch is Off	L = R = 3 V		6	10	14	kΩ

USB SWITCH

I _{ON}	On Leakage Current of USB Switch	DN/L, DP/R = 0 V to 4.0 V, DP, DN, R, L = Float	VBAT: 2.7 V to 5.5 V or VBUS: 4 V to 20 V	-3.0	1.0	3.0	μA
I _{OZ}	Off Leakage Current of Port DP and DN	DN, DP = 0 V to 4.0 V		-3.0	-	3.0	μA
I _{OFF}	Power-Off Leakage Current on DP and DN	DN, DP = 0 V to 4.0 V	Power off	-3.0	-	3.0	μA
R _{ON_USB}	USB Switch On Resistance	I _{SW} = 8 mA, V _{SW} = 0.4 V	VBAT: 2.7 V to 5.5 V or VBUS: 4 V to 20 V	-	3	-	Ω

CC SWITCH

I _{ON}	On Leakage Current of CC Switch	V _{sw} from 0 V to 3.6 V	VBAT: 2.7 V to 5.5 V or VBUS: 4 V to 20 V	-1.5	-	2.0	μA
R _{ON}	CC Path On Resistance	I _{OUT} = 200 mA, V _{SW} = 5 V		-	300	-	mΩ
V _{OV_TRIP}	Input OVP Lockout	Rising edge		5.6	5.8	6.1	V
V _{OV_HYS}	Input OVP Hysteresis			-	0.3	-	V
R _d	Dead Battery Pull Down Resistance	350 μA on CCx pin	VBAT < 2.4 V and VBUS < 3.5 V	4.08	5.1	6.12	kΩ
V _{THR_H}	CCx_H High Threshold under Headset Detection	EN1 = H	VBAT: 2.7 V to 5.5 V or VBUS: 4 V to 20 V	-	1.5	-	V
V _{THR_L}	CCx_Hlow Threshold under Headset Detection	EN1 = H		-	1.2	-	V

SBU COMMON PINS

I _{OZ}	Off Leakage Current of Port SBUx	SBUx = 0 V to 4 V	VBAT: 2.7 V to 5.5 V or VBUS: 4 V to 20 V	-3.0	-	3.0	μA
I _{OFF}	Power-Off Leakage Current of Port SBUx	SBUx = 0 V to 4 V	Power off	-3.0	-	3.0	μA
V _{OV_TRIP}	Input OVP Lockout	Rising edge	VBAT: 2.7 V to 5.5 V or VBUS: 4 V to 20 V	4.2	4.5	4.8	V
V _{OV_HYS}	Input OVP Hysteresis			-	0.3	-	V

FSA4476

DC CHARACTERISTICS (VBAT = 2.7 V to 5.5 V or VBUS = 4.0 V to 20 V, VBAT (Typ.) = 4.3 V or VBUS (Typ.) = 5 V, T_A = -40°C to 85°C, and T_A (Typ.) = 25°C, unless otherwise specified.) (Note 1) (continued)

Symbol	Parameter	Condition	Power	T _A = -40°C to +85°C			Unit
				Min	Typ	Max	

MIC SWITCH

I _{ON}	On Leakage Current of MIC Switch	SBUx = 0 V to 3.6 V, MIC is floating	VBAT: 2.7 V to 5.5 V or VBUS: 4 V to 20 V	-3.0	-	3.0	μA
I _{OZ}	Off Leakage Current on MIC	MIC = 0 V to 3.6 V		-1.0	-	1.0	μA
I _{OFF}	Power Off Leakage Current on MIC	MIC = 0 V to 3.6 V	Power off	-1.0	-	1.0	μA
R _{ON}	MIC Switch On Resistance	MIC = 0 V to 3.6 V, I _{sw} = 30 mA	VBAT: 2.7 V to 5.5 V or VBUS: 4 V to 20 V	-	2	-	Ω

GND_M SWITCH

I _{OZ}	Off Leakage on GND_M	GND_M = 0 V to 3.6 V	VBAT: 2.7 V to 5.5 V or VBUS: 4 V to 20 V	-2.0	-	2.0	μA
I _{OFF}	Power Off Leakage Current on GND_M	GND_M = 0 V to 3.6 V	Power off	-1.0	-	1.0	μA
R _{ON}	GND_M Switch On Resistance	I _{sw} = 30 mA	VBAT: 2.7 V to 5.5 V or VBUS: 4 V to 20 V	-	0.5	-	Ω

SBU BYPASS SWITCH

I _{ON}	On Leakage Current of SBU Bypass Switch	SBUx = 0 V to 4 V, SBUx_H is floating	VBAT: 2.7 V to 5.5 V or VBUS: 4 V to 20 V	-1.0	-	2.0	μA
I _{OZ}	Off Leakage Current on SBUx_H	SBUx_H = 0 V to 4 V		-1.0	-	1.0	μA
R _{ON}	SBU Bypass Switch On Resistance	SBUx = 0 V to 3.6 V, I _{sw} = 50 mA		-	3	-	Ω

INTERNAL GND SWITCH

R _{ON}	Internal GND Switch On Resistance	I _{sw} = 200 mA	VBAT: 2.7 V to 5.5 V or VBUS: 4 V to 20 V	-	75	110 (Note 2)	mΩ
-----------------	-----------------------------------	--------------------------	---	---	----	--------------	----

1. Limits over the recommended temperature operating range (T_A = -40°C to +85°C) are correlated by statistical quality.
2. Guaranteed by characterization, not production tested.

FSA4476

AC CHARACTERISTICS (VBAT = 2.7 V to 5.5 V or VBUS = 4.0 V to 20 V, VBAT (Typ.) = 4.3 V or VBUS (Typ.) = 5 V, T_A = -40°C to 85°C, T_A (Typ.) = 25°C, unless otherwise specified.)

Symbol	Parameter	Condition	Power	T _A = -40°C to +85°C			Unit
				Min	Typ	Max	
AUDIO SWITCH							
t _{ON}	Turn On Time (Note 3)	DP/R = DN/L = 1.5 V, R _L = 50 Ω	VBAT: 4.3 V or VBUS: 5 V	-	55	-	μs
t _{OFF}	Turn OFF Time (Note 3)	DP/R = DN/L = 1.5 V, R _L = 50 Ω		-	2	-	μs
X _{TALK}	Cross Talk (Adjacent) (Note 3)	f = 1 kHz, R _L = 50 Ω, V _{SW} = 1 V _{RMS}		-	-110	-	dB
BW	-3 dB Bandwidth (Note 3)	R _L = 50 Ω		-	950	-	MHz
O _{IRR}	Off Isolation (Note 3)	f = 1 kHz, R _L = 50 Ω, C _L = 0 pF, V _{SW} = 1 V _{RMS}		-	-100	-	dB
THD+N	Total Harmonic Distortion + Noise Performance with A- Weighting Filter (Note 3)	R _L = 600 Ω, f = 20 Hz~20 kHz, V _{SW} = 2 V _{RMS}		-	-110	-	dB
		R _L = 32 Ω, f = 20 Hz~20 kHz, V _{SW} = 1 V _{RMS}		-	-110	-	dB
		R _L = 16 Ω, f = 20 Hz~20 kHz, V _{SW} = 0.5 V _{RMS}	-	-108	-	dB	

USB SWITCH

t _{ON}	Turn-on Time (Note 3)	DP/R = DN/L = 1.5 V, R _L = 50 Ω	VBAT: 4.3 V or VBUS: 5 V	-	40	-	μs
t _{OFF}	Turn-off Time (Note 3)	DP/R = DN/L = 1.5 V, R _L = 50 Ω		-	1	-	μs
BW	-3 dB Bandwidth (Note 3)	R _L = 50 Ω		-	1	-	GHz
O _{IRR}	Off Isolation (Note 3) between DP, DN and Common Node Pins	f = 1 kHz, R _L = 50 Ω, C _L = 0 pF, V _{SW} = 1 V _{RMS}		-	-100	-	dB
t _{OVP}	DP/R and DN/L Pins OVP Response Time (Note 3)	R _L = 50 Ω, V _{sw} = 3.5 V to 5.5 V		-	0.5	1.5	μs

CC SWITCH

t _{ON}	Turn-On Time (Note 3)	V _{ICCX} = 5 V, R _L = 5 kΩ	VBAT: 4.3 V or VBUS: 5 V	-	0.5	-	ms
t _{OFF}	Turn-Off Time (Note 3)	V _{ICCX} = 5 V, R _L = 5 kΩ		-	3	-	μs
BW	PD Traffic Bandwidth (Note 3)	R _L = 50 Ω		-	25	-	MHz
t _{OVP}	CCx Pins OVP Response Time (Note 3)	R _L = 25 Ω, C _L = 200 pF, V _{SW} : 4 V to 7 V		-	0.6	1	μs

SBUX BYPASS SWITCH

t _{OVP}	SBUX Pins OVP Response Time (Note 3)	R _L = 50 Ω, V _{sw} = 3.5 V to 5.5 V	VBAT: 4.3 V or VBUS: 5 V	-	0.6	1	μs
t _{ON}	Turn-On Time (Note 3)	I _{sw} on SBUX = 1 mA and clamp to 2 V, R _L on MIC and SBUX_H = 1 kΩ, GND_M = 100 mV, series 50 Ω on GND_M pin		-	12	-	μs
t _{OFF}	Turn-OFF Time (Note 3)			-	1	-	μs
BW	Bandwidth (Note 3)	R _L = 50 Ω	-	25	-	MHz	

FSA4476

AC CHARACTERISTICS (VBAT = 2.7 V to 5.5 V or VBUS = 4.0 V to 20 V, VBAT (Typ.) = 4.3 V or VBUS (Typ.) = 5 V, T_A = -40°C to 85°C, T_A (Typ.) = 25°C, unless otherwise specified.) (continued)

Symbol	Parameter	Condition	Power	T _A = -40°C to +85°C			Unit
				Min	Typ	Max	
MIC/GND_M/INTERNAL GND SWITCH							
t _{ON_MIC}	Turn-On Time (Note 3)	I _{sw} on SBU _x = 1 mA and clamp to 2 V, R _L on MIC and SBU _{x_H} = 1 kΩ, GND_M = 100 mV, series 50 Ω on GND_M pin	VBAT: 4.3 V or VBUS: 5 V	-	10	-	μs
t _{ON_GND_M}				-	60	-	
t _{ON_GND}				-	950	-	
t _{OFF_MIC}	Turn-OFF Time (Note 3)			-	1	-	
t _{OFF_GND_M}				-	1	-	
t _{OFF_GND}				-	1	-	
BW	MIC Switch Bandwidth (Note 3)	R _L = 50 Ω		-	25	-	MHz

INTERRUPT DELAY

T _{DELAY_INT}	INT Response Delay (Note 3)	INT pull up by 10k resistor to valid power	VBAT: 4.3 V or VBUS: 5 V	-	5	-	μs
T _{DELAY_INT1}	INT1 Response Delay (Note 3)	INT1 pull up by 10k resistor to valid power		-	5	-	

3. Guaranteed by characterization, not production tested

CAPACITANCE (Unless otherwise stated VBAT = 2.7 V to 5.5 V or VBUS = 4.0 V to 20 V, VBAT (Typ.) = 4.3 V or VBUS (Typ.) = 5 V, T_A = -40°C to 85°C, and T_A (Typ.) = 25°C.)

Symbol	Parameter	Condition	Power	T _A = -40°C to +85°C			Unit
				Min	Typ	Max	
C _{CON_USB/Audio}	On Capacitance (Common Port) (Note 4)	f = 1 MHz, 100 mV _{PK-PK} , 100 mV DC bias	VBAT: 4.3 V or VBUS: 5 V	-	7	-	pF
C _{OFF_USB/Audio}	Off Capacitance (Common Port) (Note 4)	f = 1 MHz, 100 mV _{PK-PK} , 100 mV DC bias		-	7	-	pF
C _{OFF_USB}	Off Capacitance (Non-Common Ports) (Note 4)	f = 1 MHz, 100 mV _{PK-PK} , 100 mV DC bias Figure 12		-	2	-	pF
C _{OFF_SBU_{x_H}}	Off Capacitance (Non-Common Ports) (Note 4)	f = 1 MHz, 100 mV _{PK-PK} , 100 mV DC bias		-	12	-	pF
C _{OFF_SBU_x}	Off Capacitance (Common Ports) (Note 4)	f = 1 MHz, 100 mV _{PK-PK} , 100 mV DC bias		-	140	-	pF
C _{CON_SBU_x}	On Capacitance (Common Port) (Note 4)	f = 1 MHz, 100 mV _{PK-PK} , 100 mV DC bias		-	150	-	pF
C _{CNTRL}	Control Input Pin Capacitance (EN _x) (Note 4)	f = 1 MHz, 100 mV _{PP} , 100 mV DC bias		EN _x , ENN	-	6	-

4. Guaranteed by characterization, not production tested

FSA4476

APPLICATION INFORMATION

Dead Battery

FSA4476 supports dead battery application. When power is not applied to FSA4476 and it is attached to a Source device, then the Source would pull up the CC line connected through the cable. FSA4476 in response would turn on the pull-down that will bring the CC voltage to a range that the Source can detect an attach event and turn on VBUS.

Headset detection

FSA4476 integrates headset unplug detection function by detecting the CCx_H voltage. The headset detection is only active during audio switch on status(EN1 = 1). When headset is attached (both CC1_H and CC2_H are Low), the flag signal is sent low to host controller by INT1 (INT1 = low). Once either of CCx_H = High (CCx_H > 1.5 V), INT1 will be released to high by external pull up resistor.

POWER SUPPLY CONFIGURATION

VBUS	VBAT	Power Supply
Invalid	Invalid	Max (VBAT, VBUS)
Valid	Invalid	VBUS
Invalid	Valid	VBAT
Valid	Valid	VBAT

TEST DIAGRAMS

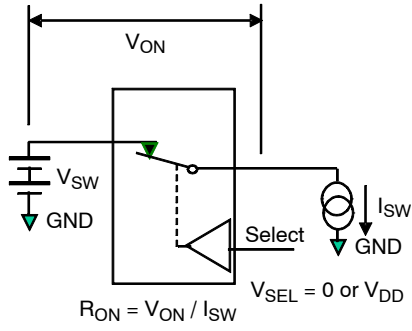


Figure 3. On Resistance

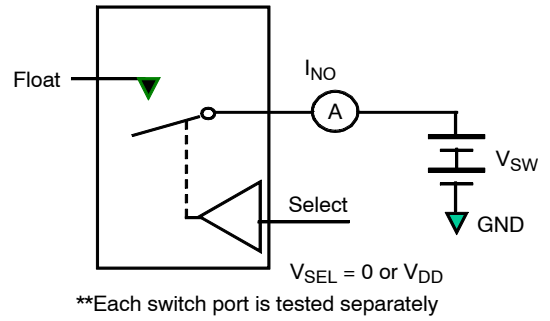


Figure 4. Off Leakage (I_{oz})

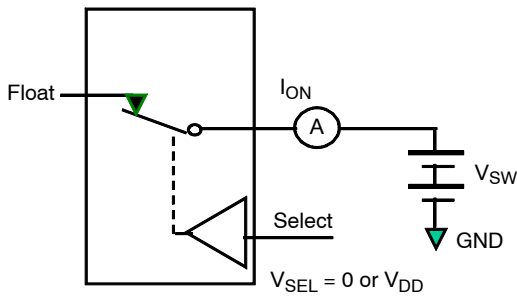


Figure 5. On Leakage

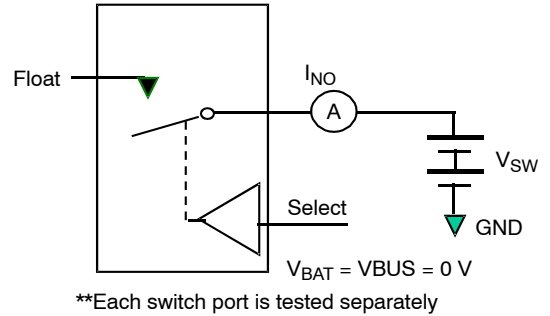


Figure 6. Power Off Leakage (I_{off})

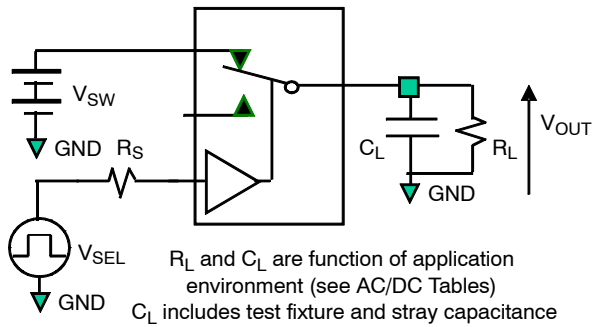


Figure 7. Test Circuit Load

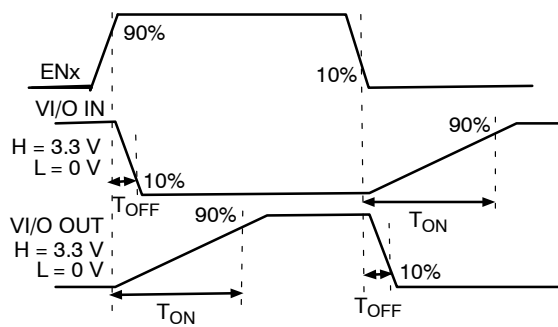


Figure 8. Turn On/Off Waveforms

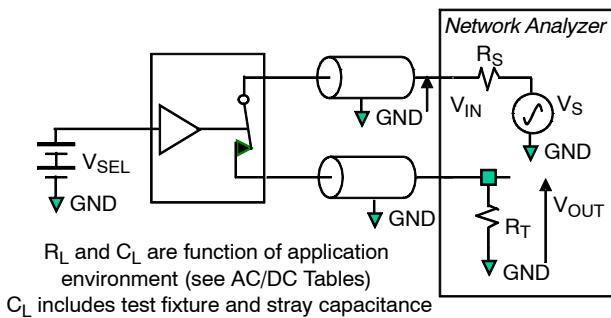


Figure 9. Bandwidth

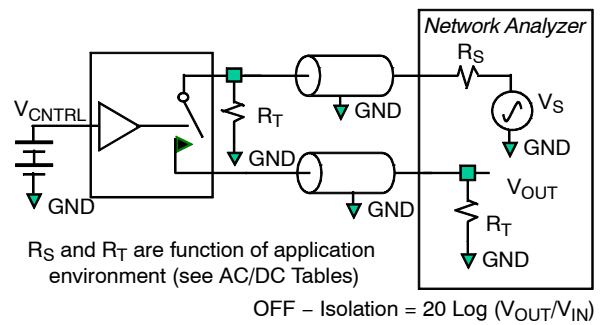


Figure 10. Channel Off Isolation

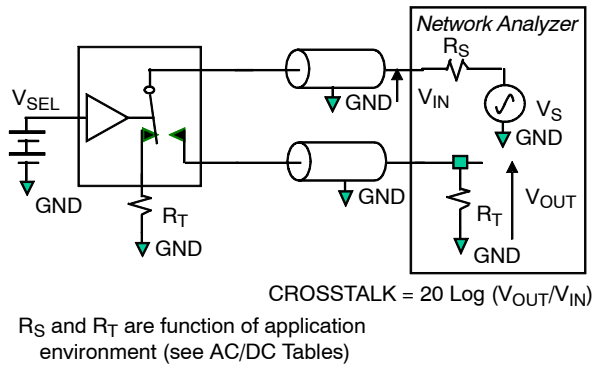


Figure 11. Adjacent Channel Crosstalk

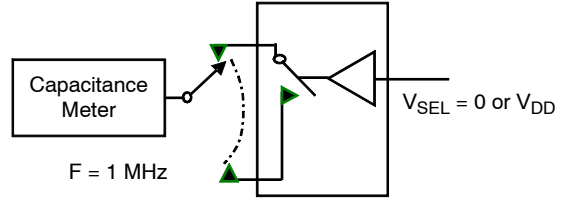


Figure 12. Channel Off Capacitance

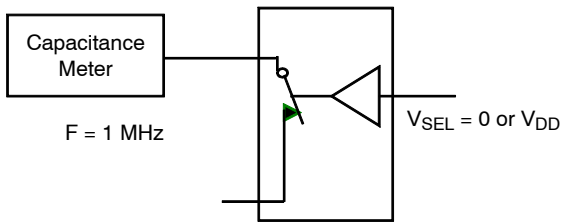


Figure 13. Channel On Capacitance

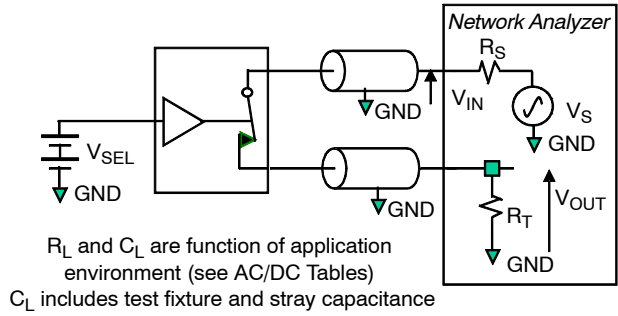


Figure 14. Total Harmonic Distortion (THD+N)

ORDERING INFORMATION

Part Number	Top Mark	Package Description	Shipping [†]
FSA4476UCX	GR	25 Ball WLCSP25, 2.03x2.03x0.586 (Pb-Free)	3000 / Tape & Reel

[†]For information on tape and reel specifications, including part orientation and tape sizes, please refer to our Tape and Reel Packaging Specifications Brochure, BRD8011/D.

MECHANICAL CASE OUTLINE

PACKAGE DIMENSIONS

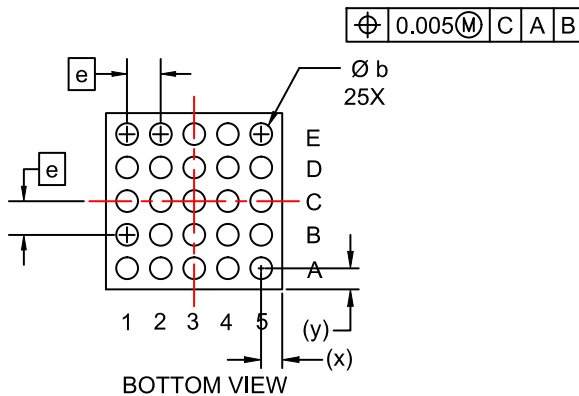
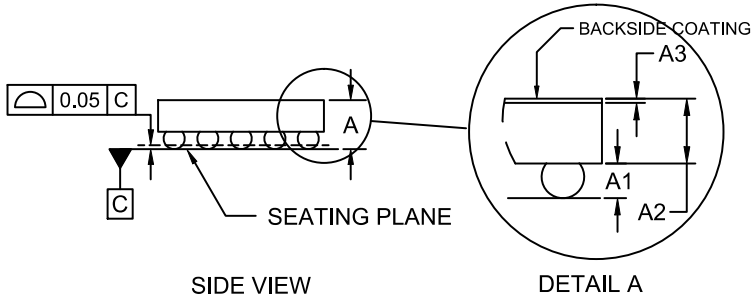
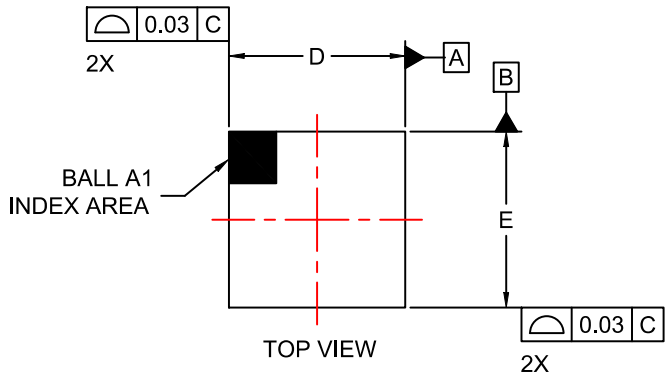
ON Semiconductor®



WLCSP25, 2.03x2.03x0.586
CASE 567UP
ISSUE A

DATE 21 MAY 2019

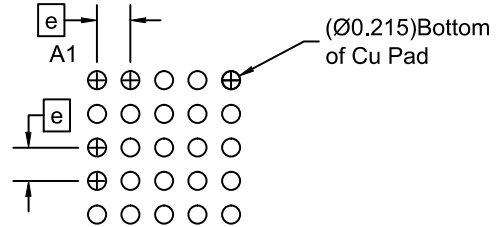
SCALE 4:1



NOTES:

1. DIMENSIONING AND TOLERANCING PER ASME Y14.5M, 2009.
2. CONTROLLING DIMENSION: MILLIMETERS
3. DATUM C APPLIES TO THE SPHERICAL CROWN OF THE SOLDER BALLS

DIM	MIN.	NOM.	MAX.
A	0.547	0.586	0.625
A1	0.188	0.208	0.228
A2	0.337	0.353	0.369
A3	0.022	0.025	0.028
b	0.24	0.26	0.28
D	2.00	2.03	2.06
E	2.00	2.03	2.06
e	0.40 BASIC		
x	0.200	0.215	0.230
y	0.200	0.215	0.230



RECOMMENDED MOUNTING FOOTPRINT* (NSMD PAD TYPE)

*FOR ADDITIONAL INFORMATION ON OUR Pb-FREE STRATEGY AND SOLDERING DETAILS, PLEASE DOWNLOAD THE ON SEMICONDUCTOR SOLDERING AND MOUNTING TECHNIQUES REFERENCE MANUAL, SOLDERRM/D.

DOCUMENT NUMBER:	98AON64860G	Electronic versions are uncontrolled except when accessed directly from the Document Repository. Printed versions are uncontrolled except when stamped "CONTROLLED COPY" in red.
DESCRIPTION:	WLCSP25, 2.03x2.03x0.586	PAGE 1 OF 1

ON Semiconductor and are trademarks of Semiconductor Components Industries, LLC dba ON Semiconductor or its subsidiaries in the United States and/or other countries. ON Semiconductor reserves the right to make changes without further notice to any products herein. ON Semiconductor makes no warranty, representation or guarantee regarding the suitability of its products for any particular purpose, nor does ON Semiconductor assume any liability arising out of the application or use of any product or circuit, and specifically disclaims any and all liability, including without limitation special, consequential or incidental damages. ON Semiconductor does not convey any license under its patent rights nor the rights of others.

onsemi, **Onsemi**, and other names, marks, and brands are registered and/or common law trademarks of Semiconductor Components Industries, LLC dba "**onsemi**" or its affiliates and/or subsidiaries in the United States and/or other countries. **onsemi** owns the rights to a number of patents, trademarks, copyrights, trade secrets, and other intellectual property. A listing of **onsemi**'s product/patent coverage may be accessed at www.onsemi.com/site/pdf/Patent-Marking.pdf. **onsemi** reserves the right to make changes at any time to any products or information herein, without notice. The information herein is provided "as-is" and **onsemi** makes no warranty, representation or guarantee regarding the accuracy of the information, product features, availability, functionality, or suitability of its products for any particular purpose, nor does **onsemi** assume any liability arising out of the application or use of any product or circuit, and specifically disclaims any and all liability, including without limitation special, consequential or incidental damages. Buyer is responsible for its products and applications using **onsemi** products, including compliance with all laws, regulations and safety requirements or standards, regardless of any support or applications information provided by **onsemi**. "Typical" parameters which may be provided in **onsemi** data sheets and/or specifications can and do vary in different applications and actual performance may vary over time. All operating parameters, including "Typicals" must be validated for each customer application by customer's technical experts. **onsemi** does not convey any license under any of its intellectual property rights nor the rights of others. **onsemi** products are not designed, intended, or authorized for use as a critical component in life support systems or any FDA Class 3 medical devices or medical devices with a same or similar classification in a foreign jurisdiction or any devices intended for implantation in the human body. Should Buyer purchase or use **onsemi** products for any such unintended or unauthorized application, Buyer shall indemnify and hold **onsemi** and its officers, employees, subsidiaries, affiliates, and distributors harmless against all claims, costs, damages, and expenses, and reasonable attorney fees arising out of, directly or indirectly, any claim of personal injury or death associated with such unintended or unauthorized use, even if such claim alleges that **onsemi** was negligent regarding the design or manufacture of the part. **onsemi** is an Equal Opportunity/Affirmative Action Employer. This literature is subject to all applicable copyright laws and is not for resale in any manner.

ADDITIONAL INFORMATION

TECHNICAL PUBLICATIONS:

Technical Library: www.onsemi.com/design/resources/technical-documentation
onsemi Website: www.onsemi.com

ONLINE SUPPORT: www.onsemi.com/support

For additional information, please contact your local Sales Representative at www.onsemi.com/support/sales